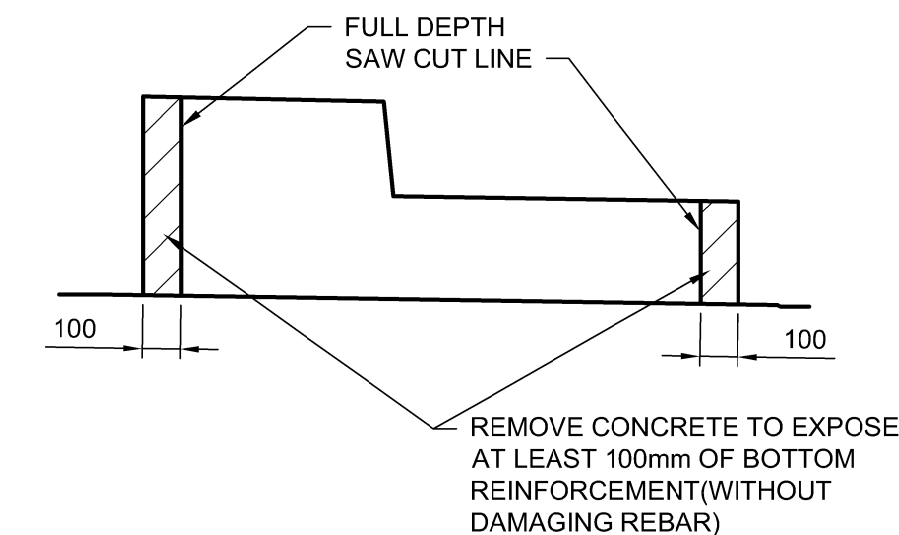
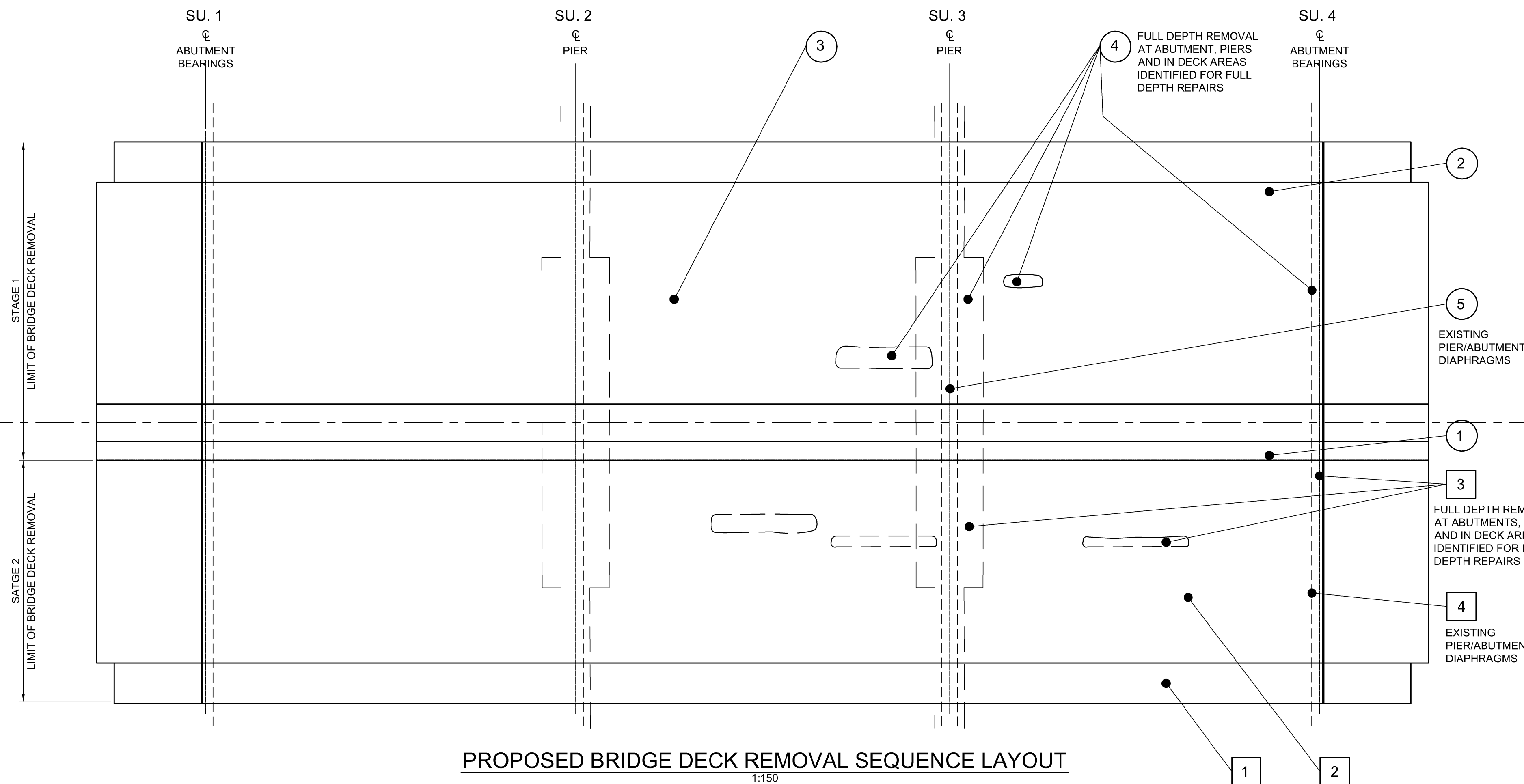


PROPOSED REMOVAL SEQUENCE OF EXISTING CONCRETE BRIDGE DECK

NOTE: 4, 5, 3, 4 NOT SHOWN ON SECTION. SEE LAYOUT BELOW.



SECTION 1
1:20



PROPOSED BRIDGE DECK REMOVAL SEQUENCE LAYOUT
1:150

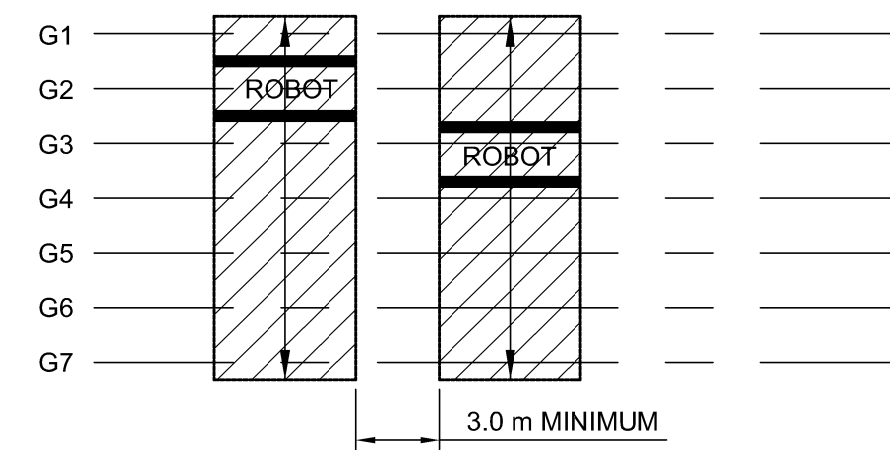
NOTES

GENERAL:

- THIS DRAWING GENERALLY PROVIDES THE PROPOSED REMOVAL SEQUENCE FOR THE CONCRETE BRIDGE DECK WORKS. THE CONCRETE PLACING SEQUENCE IS PROVIDED ON SHEET CS-028.
- THE DRAWING SHALL BE READ IN CONJUNCTION WITH SHEETS CS-029 TO CS-034 AS FOLLOWS:
 - SHEET CS-029 - REMOVAL / REPLACEMENT OF SELECT INTERIOR CONCRETE DIAPHRAGMS AND FULL DEPTH DECK REPAIRS FOR KNOWN AREAS OF SOFFIT DELAMINATION.
 - SHEET CS-030 - FULL DEPTH DECK REMOVAL FOR STEEL GIRDER STRENGTHENING.
 - SHEET CS-031 - FULL DEPTH DECK REMOVAL FOR CONCRETE GIRDER STRENGTHENING.
 - SHEET CS-032 - REMOVAL / REPLACEMENT OF PIER DIAPHRAGMS.
 - SHEET CS-033 - BRIDGE DECK REMOVAL / REPLACEMENT 1 OF 3.
 - SHEET CS-034 - BRIDGE DECK REMOVAL / REPLACEMENT 2 OF 3.
 - SHEET CS-035 - BRIDGE DECK REMOVAL / REPLACEMENT 3 OF 3.

REMOVALS:

- THE FOLLOWING NOTES SHALL BE READ IN CONJUNCTION WITH THE GENERAL NOTES ON SHEET CS-001. HYDRO-DEMOLITION LOADING INFORMATION IS PROVIDED IN THE GENERAL NOTES.
- THE CONTRACTOR SHALL SUBMIT DETAILED LOADING INFORMATION FOR THE PROPOSED HYDRO-DEMOLITION ROBOT FOR APPROVAL IN ACCORDANCE WITH THE SPECIFICATIONS.
- THE CONTRACTOR'S REMOVAL PROCEDURE SHALL BE IN ACCORDANCE WITH THE FOLLOWING LOADING RESTRICTIONS.
 - ONLY ONE (1) HYDRO-DEMOLITION ROBOT MAY BE USED BETWEEN GIRDER LINES 1-7 OR 8-13 AT ANY GIVEN DECK SECTION. ADDITIONAL ROBOTS ARE PERMITTED AS LONG AS THEY ARE SEPARATED BY A MINIMUM OF 3.0 m IN THE LONGITUDINAL DIRECTION.



- CAUTION:** ASIDE FROM THE TRACKED HYDRO-DEMOLITION ROBOT, CONSTRUCTION LIVE LOADING SHALL BE RESTRICTED TO TRAVEL ON THE INTACT PORTION OF THE EXISTING DECK ONLY. ONLY LIGHT CONSTRUCTION TRAFFIC (MAY GVW=2500 kg) IS ALLOWED AND TRAFFIC WHEEL LINES SHALL BE RESTRICTED TO TRAVEL ON GIRDER CENTERLINES ONLY.
 - HYDRO-DEMOLITION PUMP AND OTHER STATIONARY EQUIPMENT SHALL BE LOCATED OFF OF THE SPAN BEING HYDRO-DEMOLISHED.
 - ANY PROPOSED VARIATION FROM THE ABOVE LOADING RESTRICTIONS MUST BE REVIEWED BY THE CONTRACTOR'S STRUCTURAL ENGINEER REGISTERED TO PRACTICE IN THE PROVINCE OF MANITOBA. PROPOSED VARIATIONS SHALL BE ACCOMPANIED BY A SEALED LETTER FROM THE ENGINEER CONFIRMING THE PROPOSED VARIATION HAS BEEN ANALYZED AND WILL NOT DETRIMENTALLY IMPACT THE STRUCTURAL INTEGRITY OF THE STRUCTURE.
- 4. SEQUENCE**
- REMOVE EXISTING OVERHANGS TO THE LIMITS SHOWN PRIOR TO JACKING SUPERSTRUCTURE. CARE SHALL BE TAKEN TO ENSURE THAT THE EXISTING SHEAR STIRRUPS EXTENDING FROM THE CONCRETE GIRDERS INTO THE DECK ARE NOT DAMAGED. ANY DAMAGED STIRRUPS WILL NEED TO BE REPLACED TO THE SATISFACTION OF THE CONTRACT ADMINISTRATOR.
 - ROTTOMILL DECK TO TOP OF TOP REINFORCING STEEL.
 - HYDRO-DEMOLISH TO LIMITS SHOWN. DO NOT EXCEED CONCRETE REMOVAL LIMITS SHOWN ON SHEET CS-034. COMPLETE CONCRETE REMOVALS FROM NORTH TO SOUTH (STAGE 1) AND SOUTH TO NORTH (STAGE 2) (i.e. BEGIN REMOVALS OVER CONCRETE GIRDERS).
- DUE TO THE EXISTING CONDITION OF THE DECK AS WELL AS THE PROPOSED EXTENT OF REMOVAL, THE CONTRACTOR IS ADVISED THAT THE POSSIBILITY EXISTS FOR BLOW THROUGH TO OCCUR. ANY BLOW THROUGH WILL REQUIRE A FULL-DEPTH REPAIR AS SHOWN ON SHEET CS-029.
 - THE CONTRACTOR SHALL CONTAIN/COLLECT ALL WASTE PRODUCTS RESULTING FROM THE REMOVAL PROCESS IN ACCORDANCE WITH THE SPECIFICATIONS. DUE TO THE POSSIBILITY OF BLOW THROUGH, A CONTAINMENT SYSTEM IS REQUIRED ON THE UNDERSIDE OF THE BRIDGE TO PREVENT WASTE PRODUCTS FROM ENTERING THE SEINE RIVER.

LEGEND

	PROPOSED REMOVAL SEQUENCE FOR STAGE 1
	PROPOSED REMOVAL SEQUENCE FOR STAGE 2

APEGM
Certificate of Authorization
Dillon Consulting Limited (MB)
No. 1789 Date: 2018/02/09

DESIGNED BY	DRA	CHECKED BY	SSR
DRAWN BY	NBG	APPROVED BY	MBL
HOR. SCALE	AS SHOWN	RELEASED FOR CONSTRUCTION	
VERTICAL	AS SHOWN		
ISSUED FOR TENDER	18/02/09	DRA	
NO. REVISIONS	DATE	BY	DATE
	2018/02/09		

ENGINEER'S SEAL
PROVINCE OF MANITOBA
D.R.C. AMORIM
Member 33215
REGISTERED PROFESSIONAL ENGINEER
CONSULTANT PROJECT NUMBER
17-5932

THE CITY OF WINNIPEG
PUBLIC WORKS DEPARTMENT
Winnipeg
FERMOR AVENUE BRIDGE OVER SEINE RIVER
BRIDGE RE-HABILITATION, PEDESTRIAN-CYCLIST UNDERPASS STRUCTURE AND ROADWORKS FROM ST. ANNE'S ROAD TO ARCHIBALD STREET
CITY DRAWING NUMBER
B-118-2017-CS-027
SHEET 027 OF 100
CONSULTANT DRAWING NUMBER
CS-027
REMOVAL AND PLACING SEQUENCE OF CONCRETE BRIDGE DECK 1 OF 2

G:\CAD\175932\Drawings\Structural\Contract\BRIDGE\CON-CS-REHABILITATED BRIDGE DECK_SEQ_1.dwg