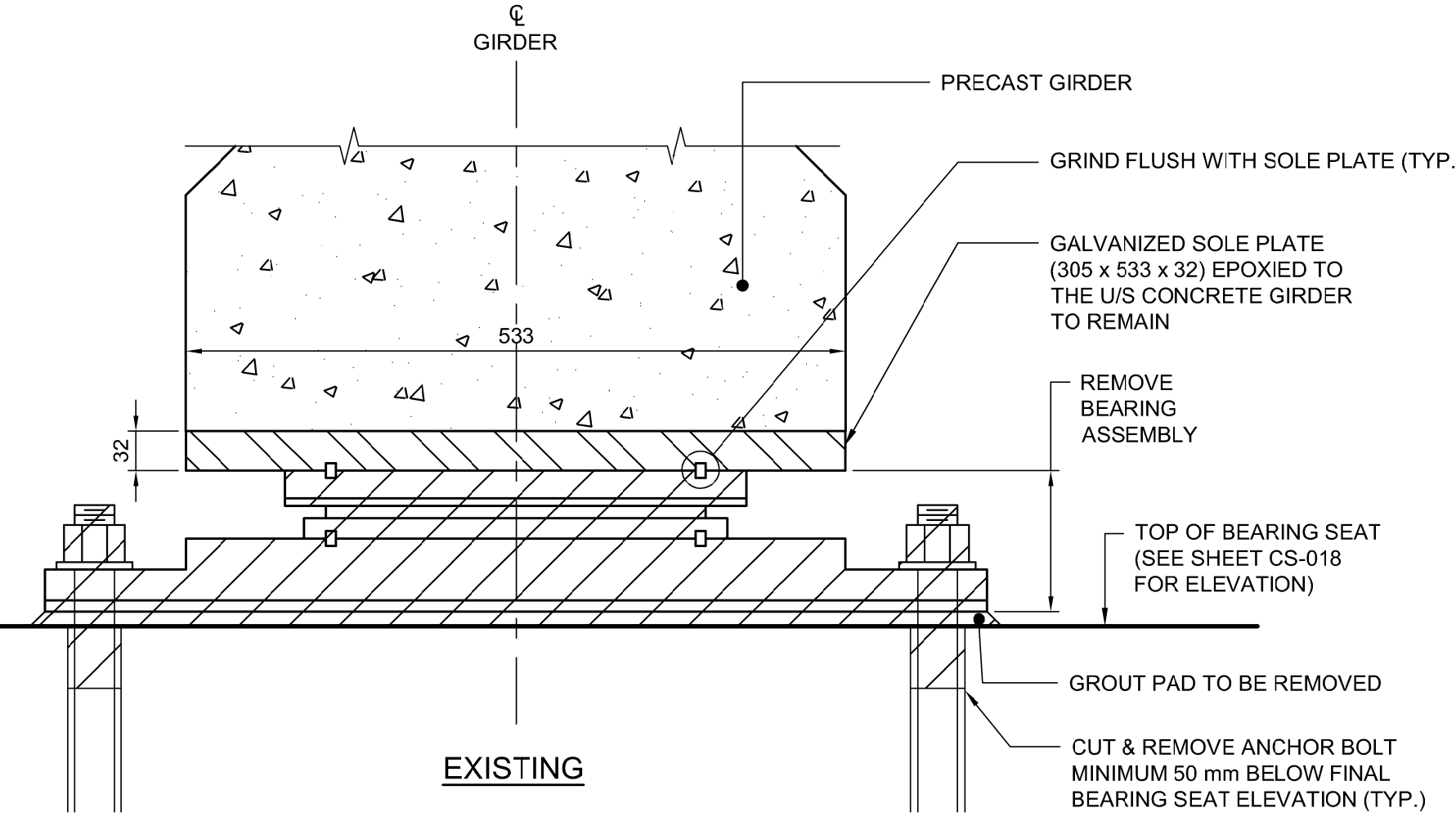
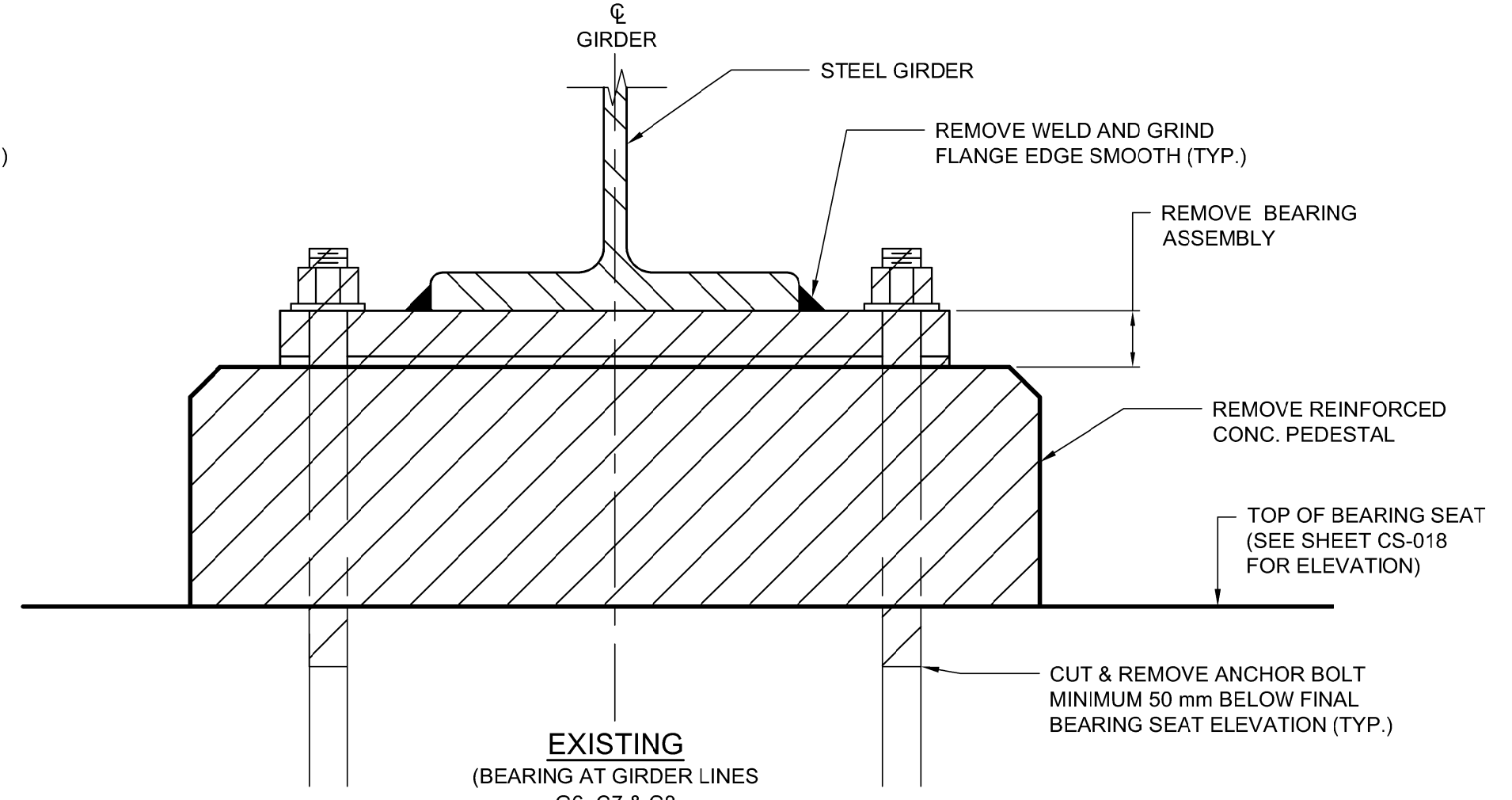


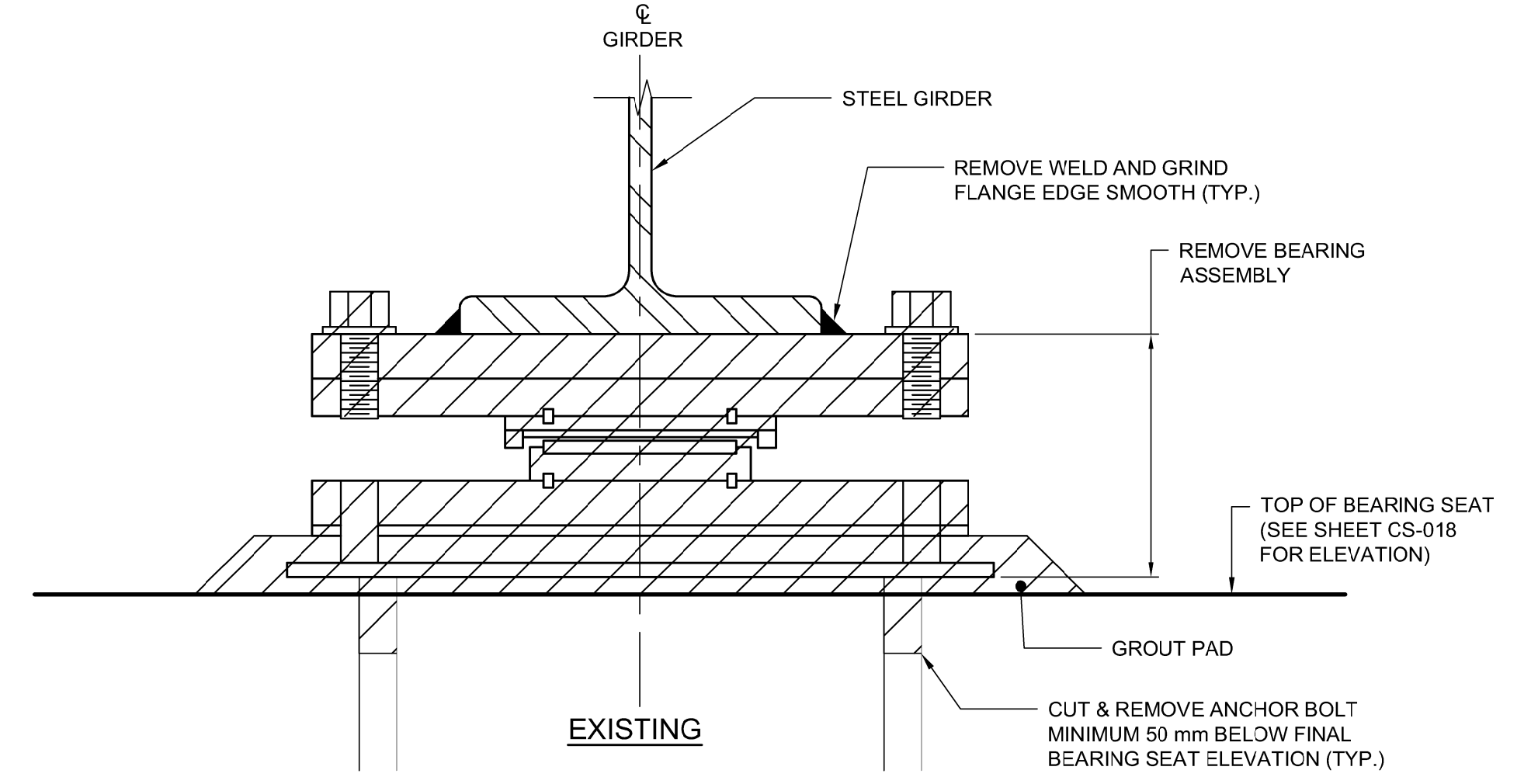
EXISTING ABUTMENT FRONT ELEVATION
 EAST ABUTMENT SHOWN, WEST ABUTMENT SIMILAR



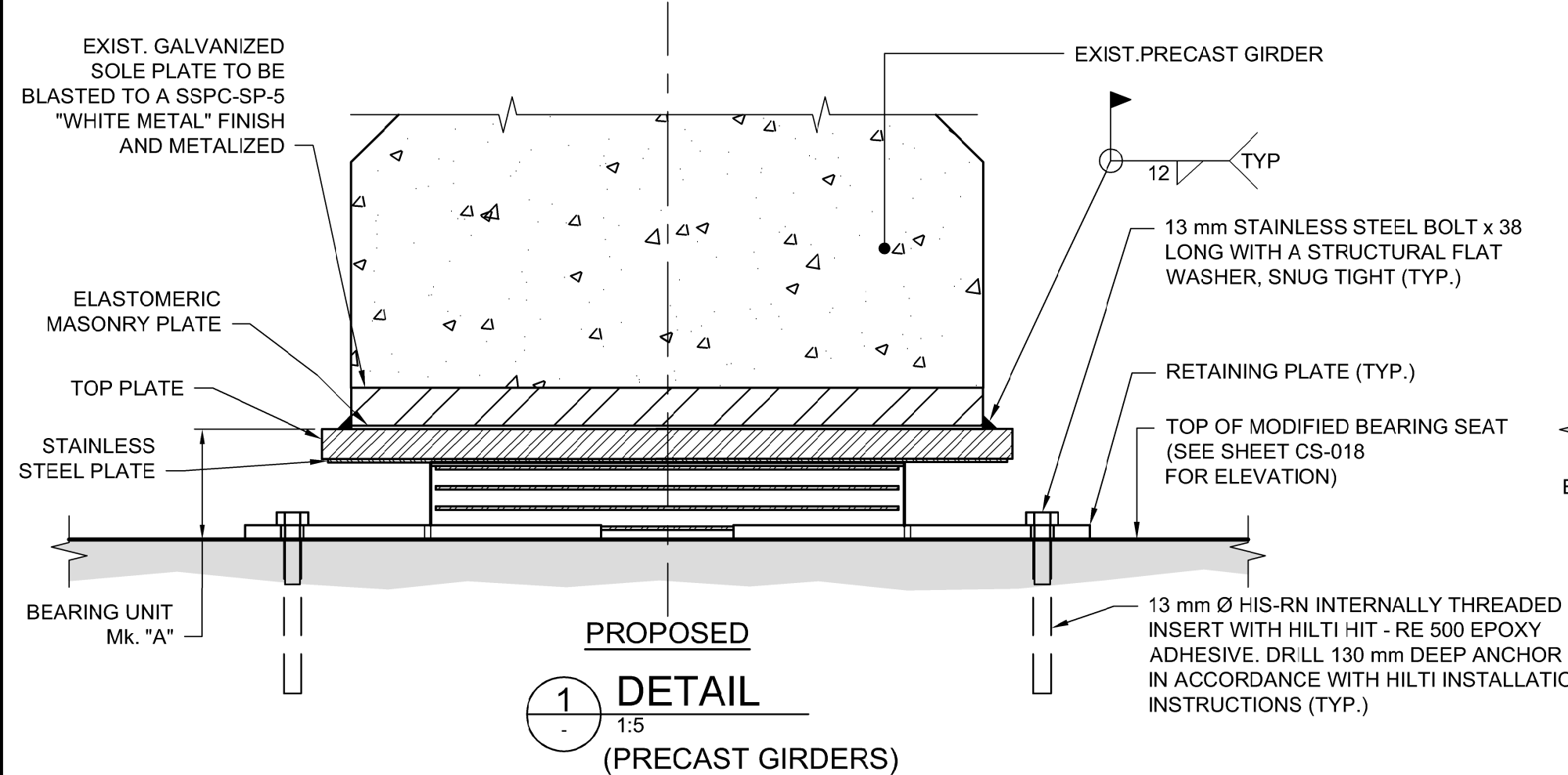
EXISTING



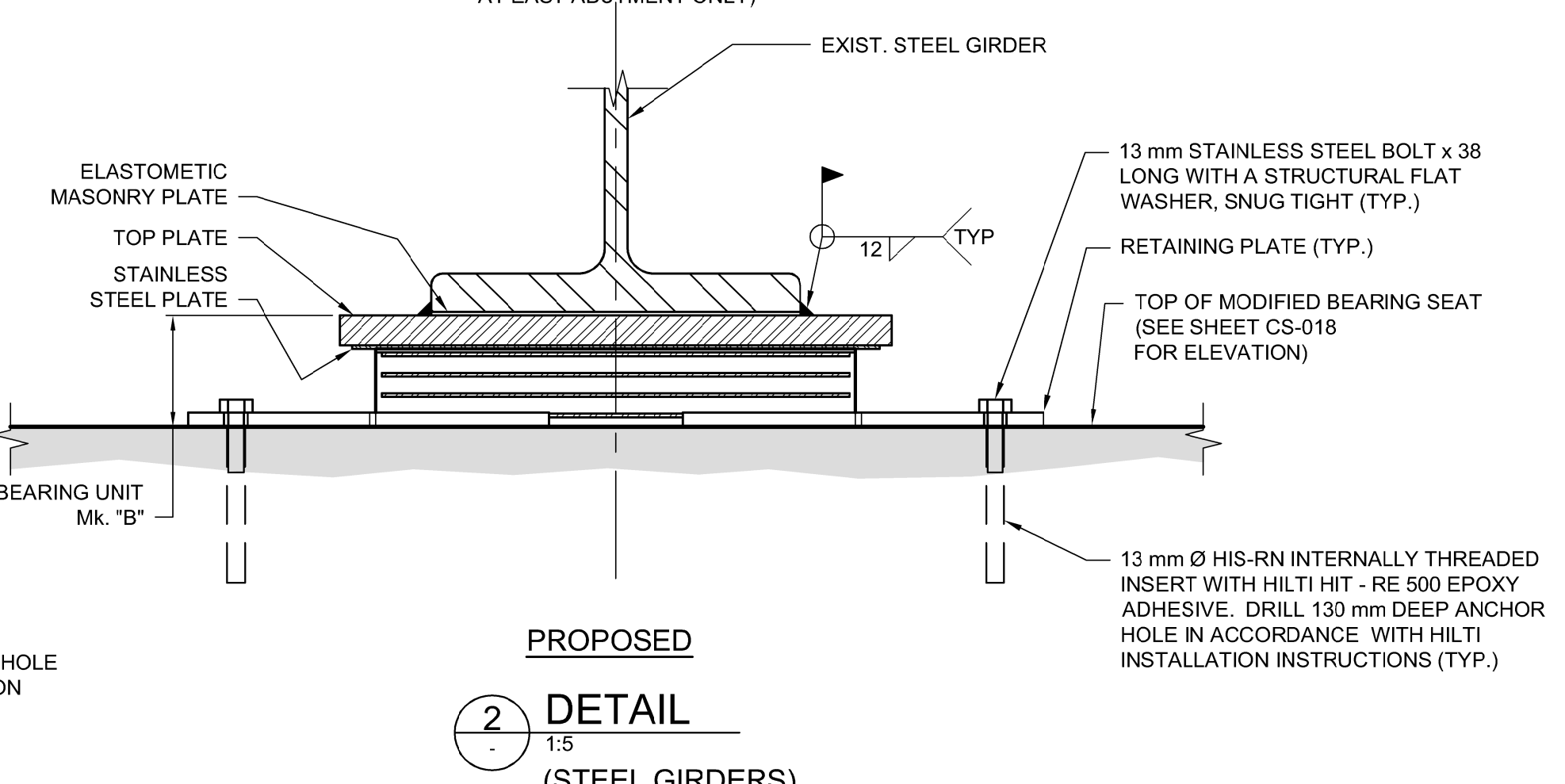
EXISTING
 (BEARING AT GIRDER LINES G6, G7 & G8 AT EAST ABUTMENT ONLY)



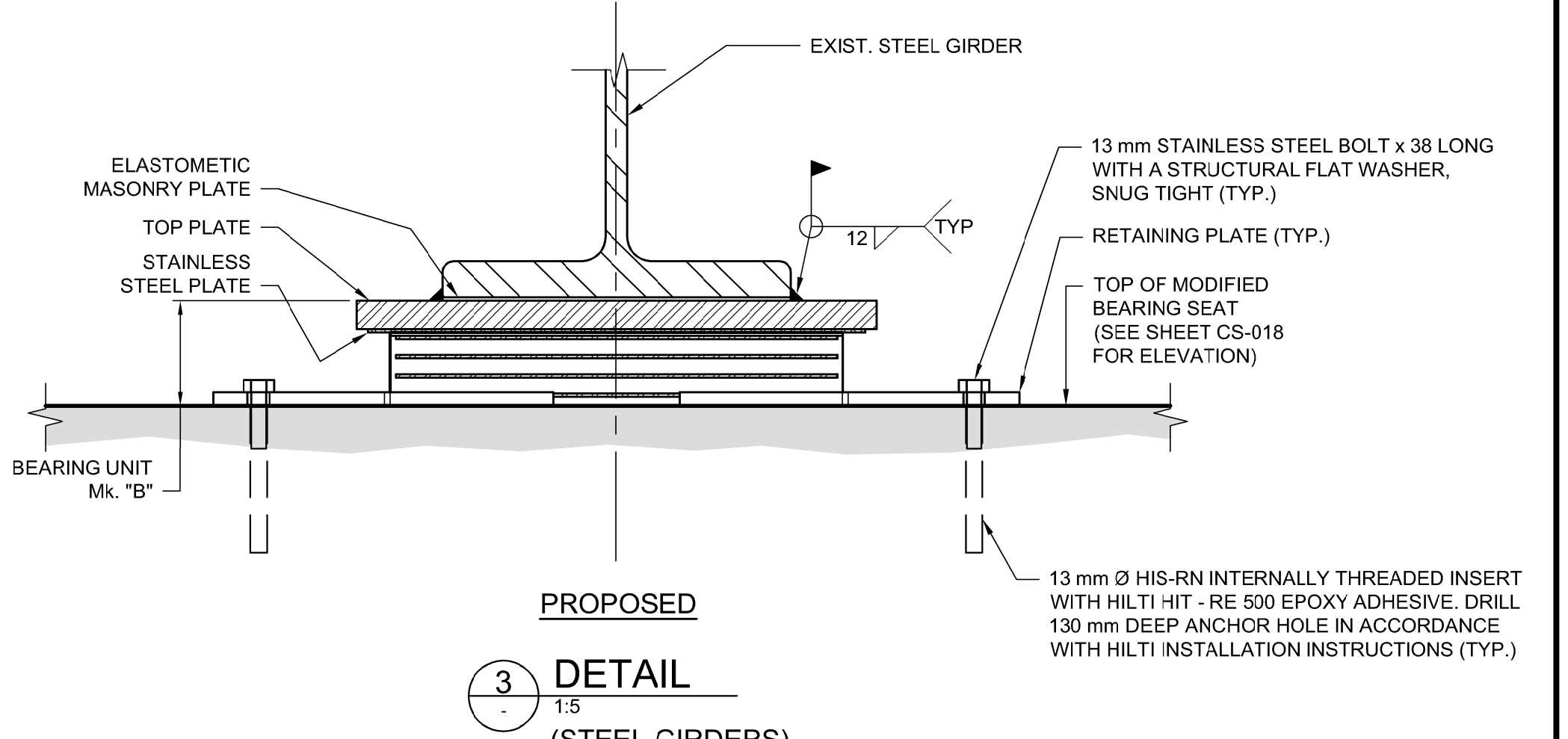
EXISTING



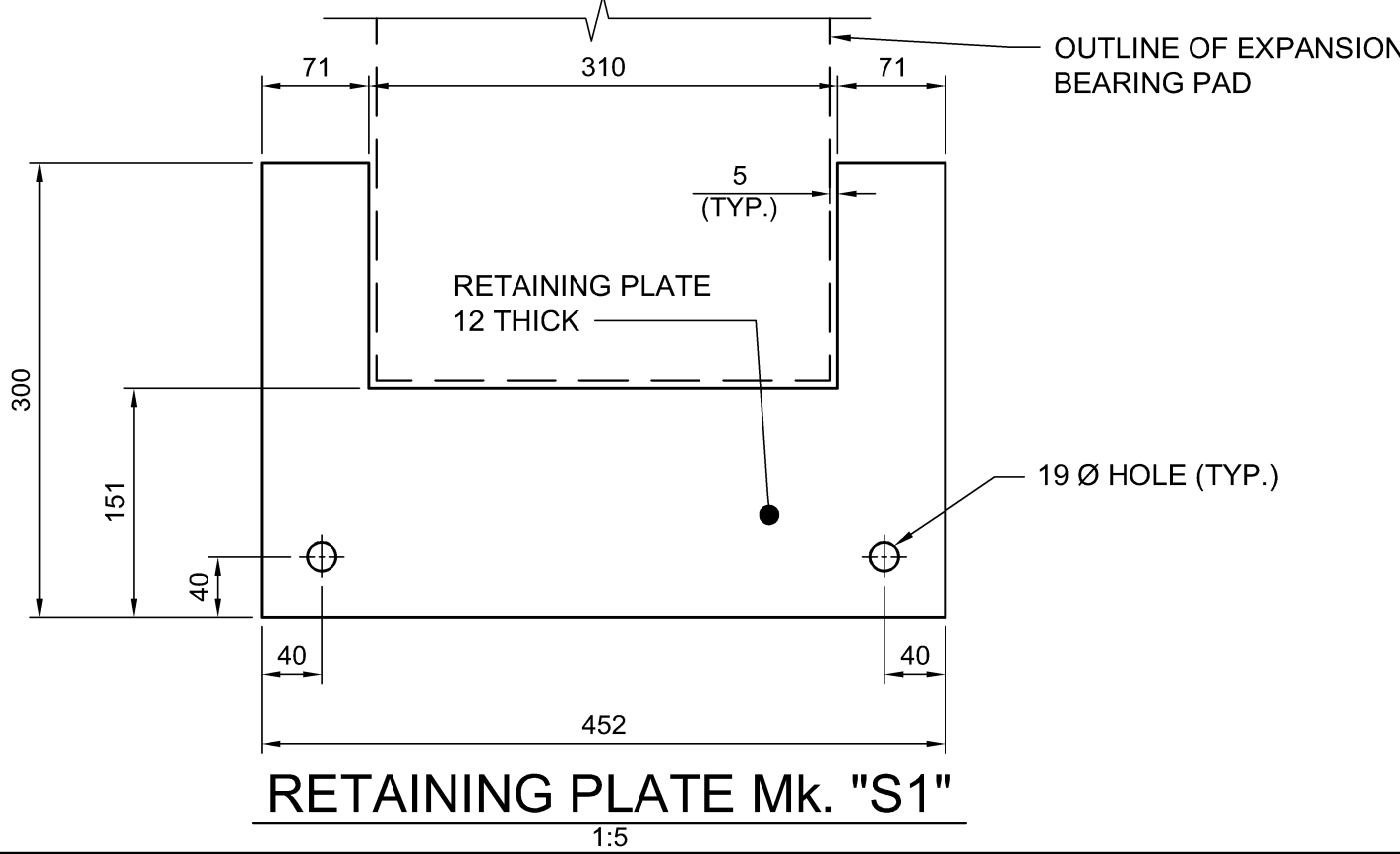
PROPOSED
DETAIL
 1:5
 (PRECAST GIRDERS)



PROPOSED
DETAIL
 1:5
 (STEEL GIRDERS)



PROPOSED
DETAIL
 1:5
 (STEEL GIRDERS)



RETAINING PLATE MK. "S1"
 1:5

- NOTES:**
- IF REQUIRED, PROVIDE GALVANIZED STEEL SHIM PLATES UNDER ELASTOMERIC BEARINGS TO OBTAIN THE DESIRED BEARING ELEVATION.
 - SEE SHEET CS-018 FOR BEARING SEAT ELEVATIONS.

APEGM
 Certificate of Authorization
 Dillon Consulting Limited (MB)
 No. 1789 Date: 2018/02/09

DESIGNED BY	DRA	CHECKED BY	SSR
DRAWN BY	NBG / DB	APPROVED BY	MBL
HOR. SCALE	AS SHOWN	RELEASED FOR CONSTRUCTION	
VERTICAL	AS SHOWN		
ISSUED FOR TENDER	18/02/09	DRA	
NO. REVISIONS	DATE	BY	DATE
0	2018/02/09	DRA	

ENGINEER'S SEAL
 PROVINCE OF MANITOBA
D.R.C. AMORIM
 Member 33215
 REGISTERED PROFESSIONAL ENGINEER
 CONSULTANT PROJECT NUMBER
 17-5932

THE CITY OF WINNIPEG
 PUBLIC WORKS DEPARTMENT
Winnipeg
FERMOR AVENUE BRIDGE OVER SEINE RIVER
 BRIDGE RE-HABILITATION, PEDESTRIAN-CYCLIST UNDERPASS STRUCTURE AND ROADWORKS FROM ST. ANNE'S ROAD TO ARCHIBALD STREET
 CITY DRAWING NUMBER
 B-118-2017-CS-023
 SHEET 023 OF 100
 CONSULTANT DRAWING NUMBER
 CS - 023
 ABUTMENT BEARING
 REPLACEMENT DETAILS 2 OF 2

G:\CAD\175932\Drawings\Structural\CON-ABUTMENT BEARING REPLACEMENT 2.dwg