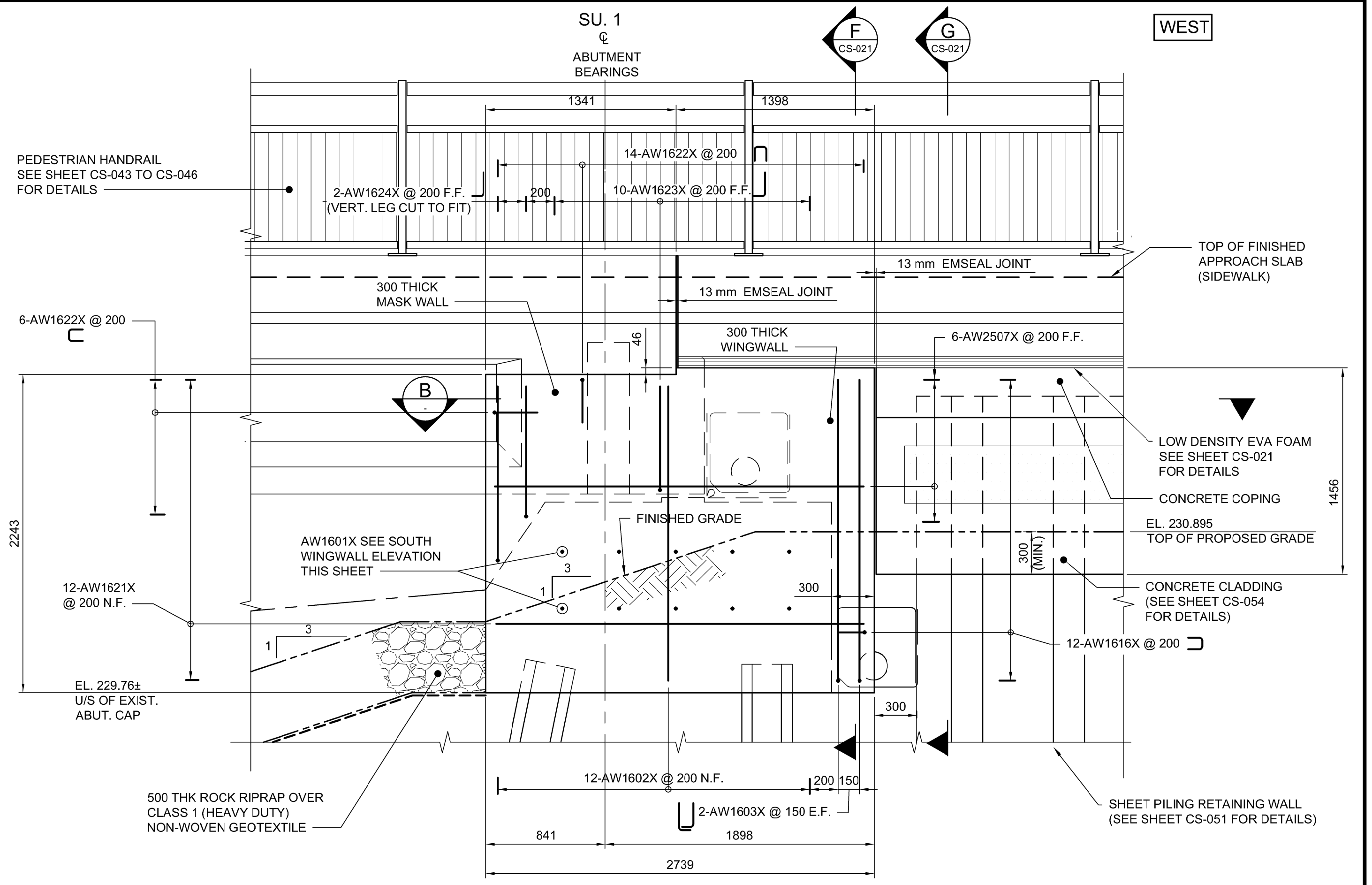
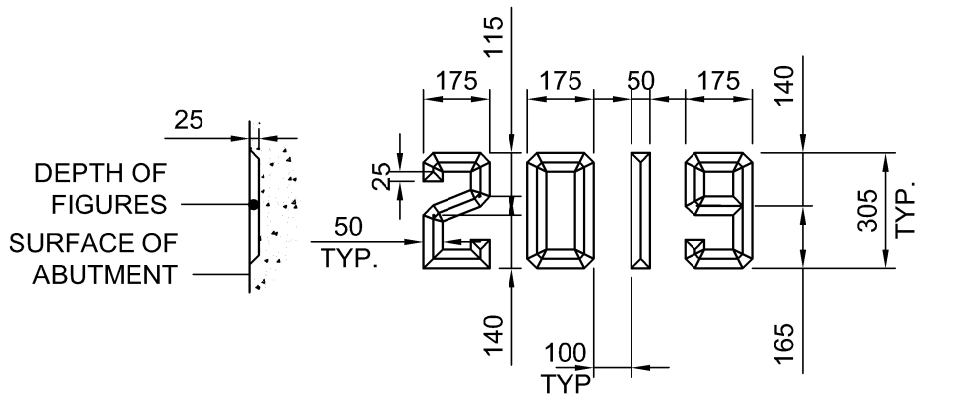


NORTH EAST WINGWALL ELEVATION
1:25

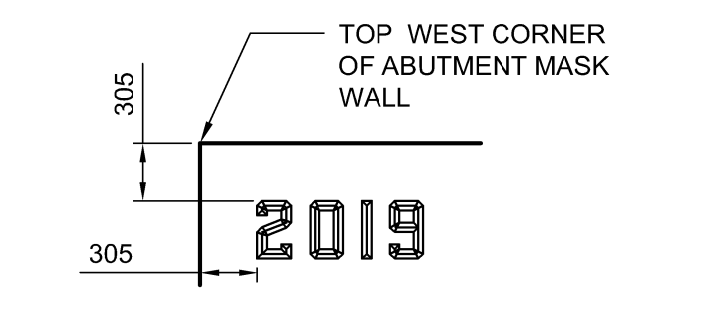


NORTH WEST WINGWALL ELEVATION
1:25

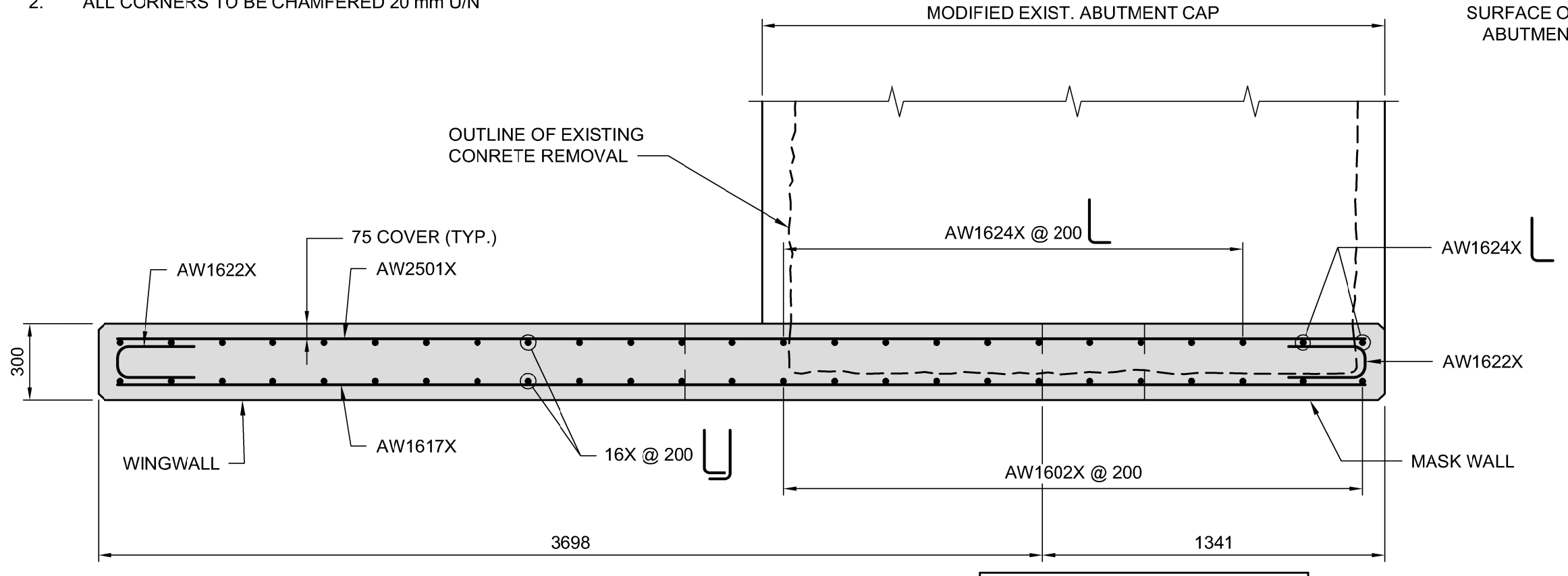
- NOTES:**
- ALL CONCRETE FACES BELOW GRADE SHALL BE FINISHED WITH ASPHALT DAMPROOFING.
 - ALL CORNERS TO BE CHAMFERED 20 mm UN



DETAILS OF DATE FIGURE
1:20

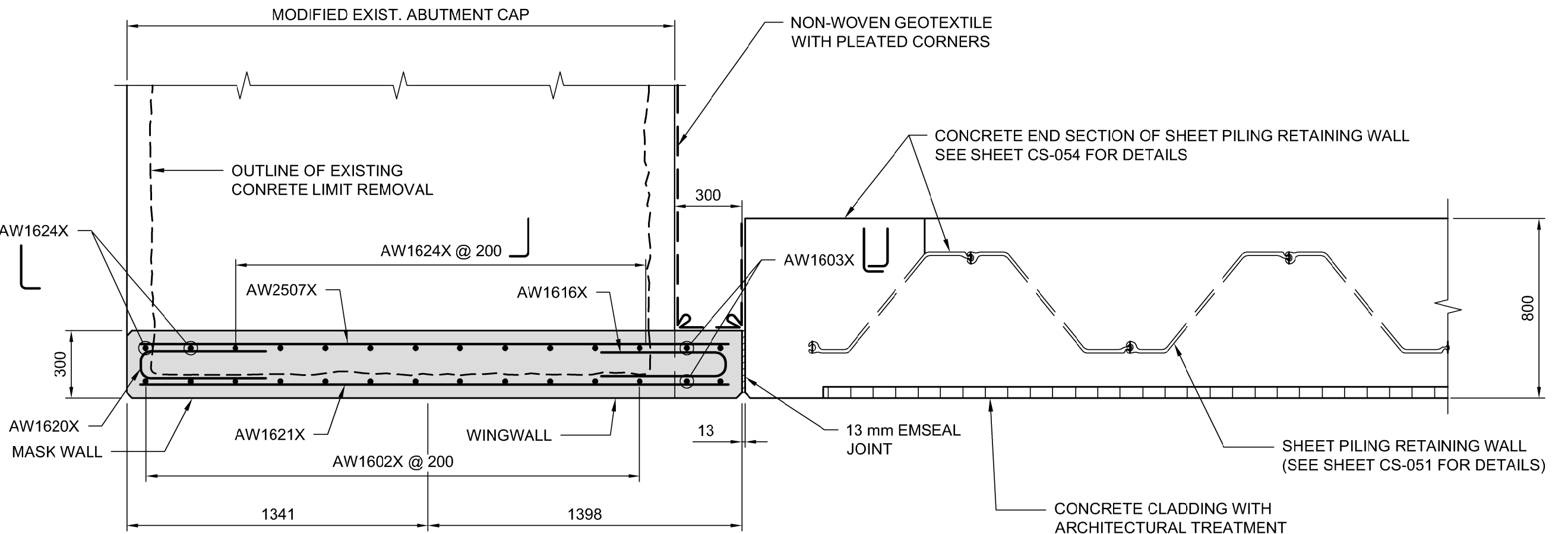


TYPICAL DATE STAMP LOCATION AT ABUTMENT
1:40
(TO BE PROVIDED ON SOUTH EAST WINGWALL)



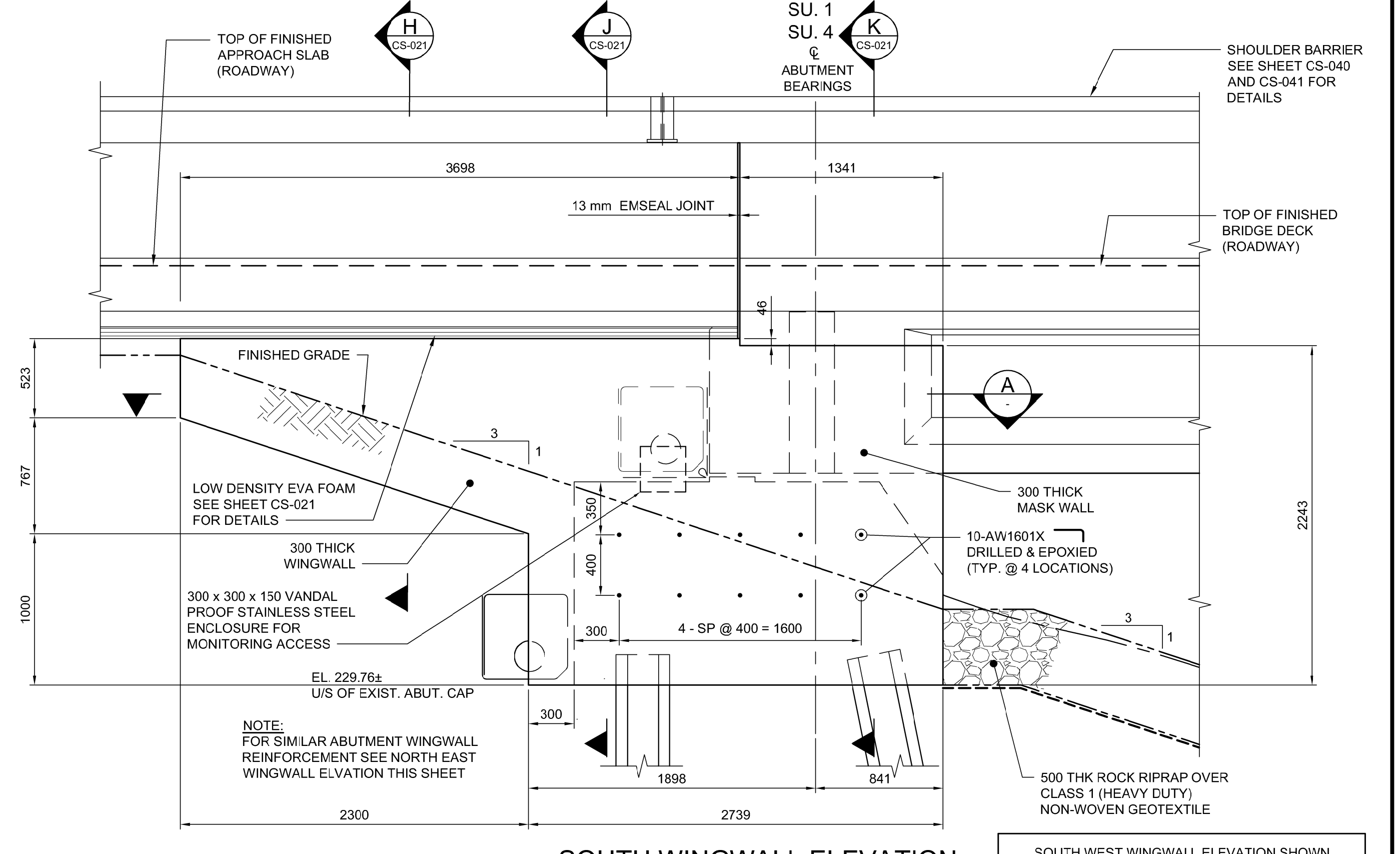
SECTION A / PLAN VIEW
1:20

NOTE:
EXISTING VERTICAL REINFORCING NOT SHOWN FOR CLARITY



SECTION B / PLAN VIEW
1:20

NOTE:
EXISTING VERTICAL REINFORCING NOT SHOWN FOR CLARITY



SOUTH WINGWALL ELEVATION
1:25

SOUTH WEST WINGWALL ELEVATION SHOWN SOUTH EAST WINGWALL ELEVATION OPPOSITE HAND

G:\CAD\175932\Drawings\Structural\Bridges\CON-CS-ABUTMENT MODIFICATION 4.dwg

APEGM
Certificate of Authorization
Dillon Consulting Limited (MB)
No. 1789 Date: 2018/02/09

DESIGNED BY	MS	CHECKED BY	SSR
DRAWN BY	NBG	APPROVED BY	MBL
HOR. SCALE	AS SHOWN	RELEASED FOR CONSTRUCTION	
VERTICAL	AS SHOWN		
ISSUED FOR TENDER	18/02/09	DRA	
NO. REVISIONS	DATE	BY	DATE
0	18/02/09	DRA	

ENGINEER'S SEAL
PROVINCE OF MANITOBA
D.R.C. AMORIM
Member 33215
REGISTERED PROFESSIONAL ENGINEER

THE CITY OF WINNIPEG
PUBLIC WORKS DEPARTMENT
Winnipeg
FERMOR AVENUE BRIDGE OVER SEINE RIVER
BRIDGE RE-ABILIATION, PEDESTRIAN-CYCLIST UNDERPASS STRUCTURE AND ROADWORKS FROM ST. ANNE'S ROAD TO ARCHIBALD STREET
CITY DRAWING NUMBER B-118-2017-CS-020
SHEET 020 OF 100
CONSULTANT DRAWING NUMBER CS - 020