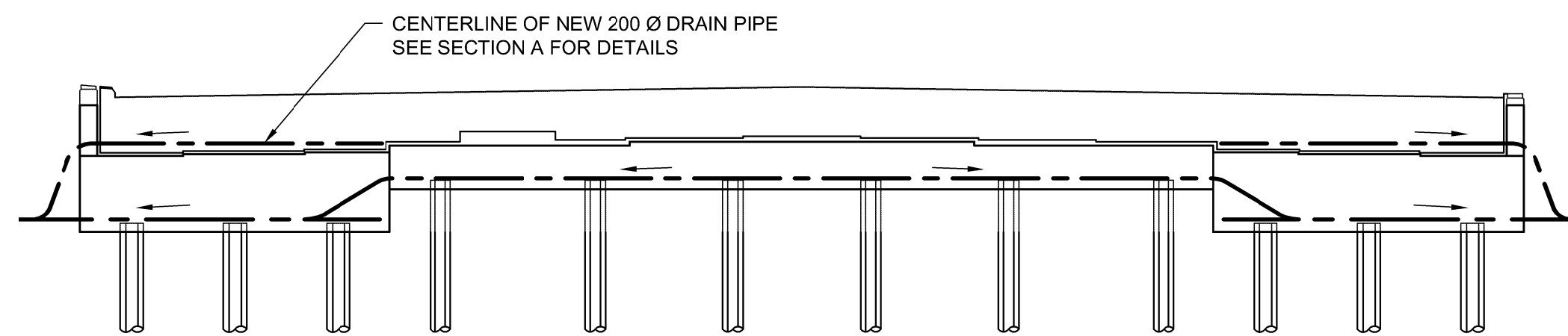
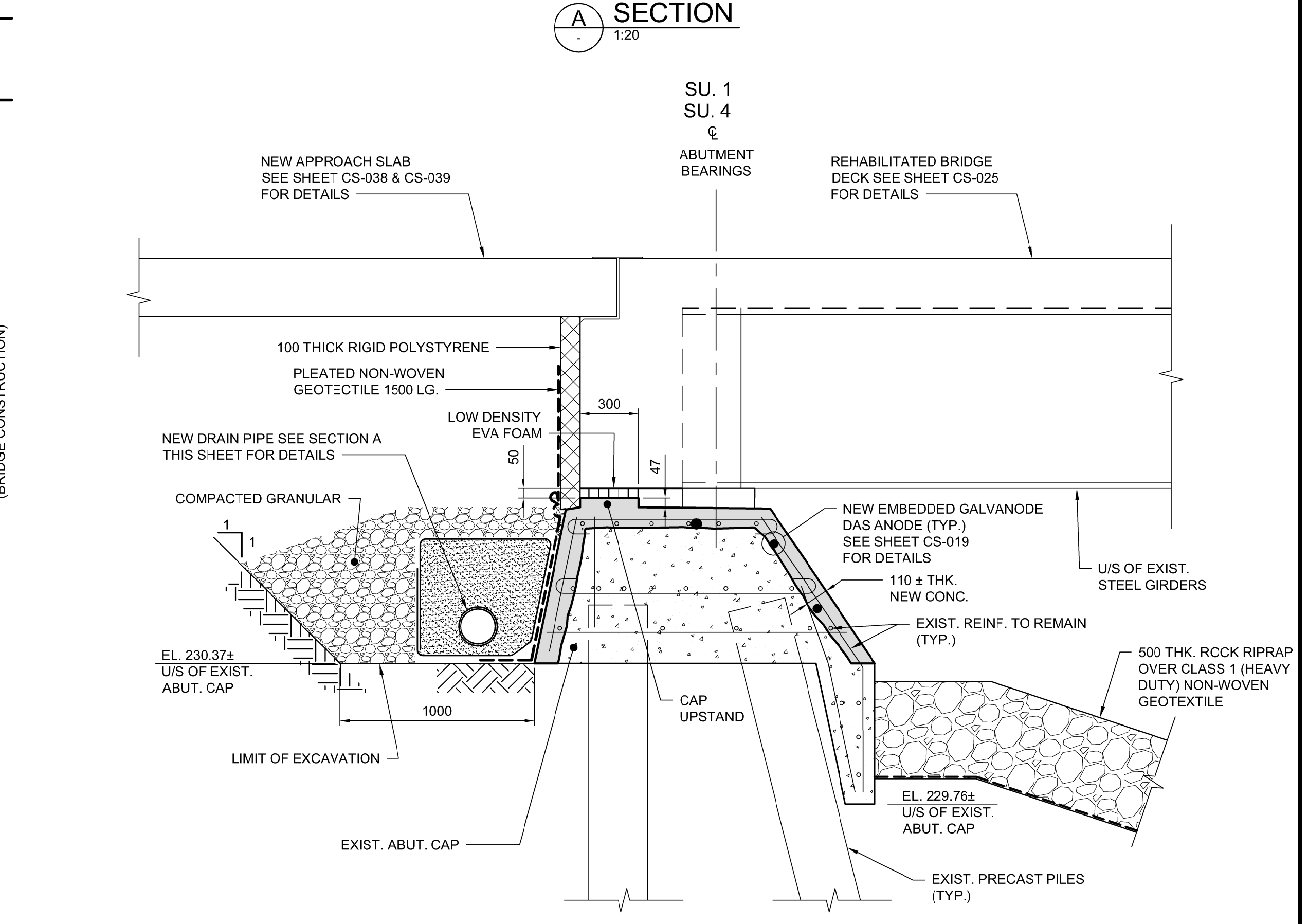
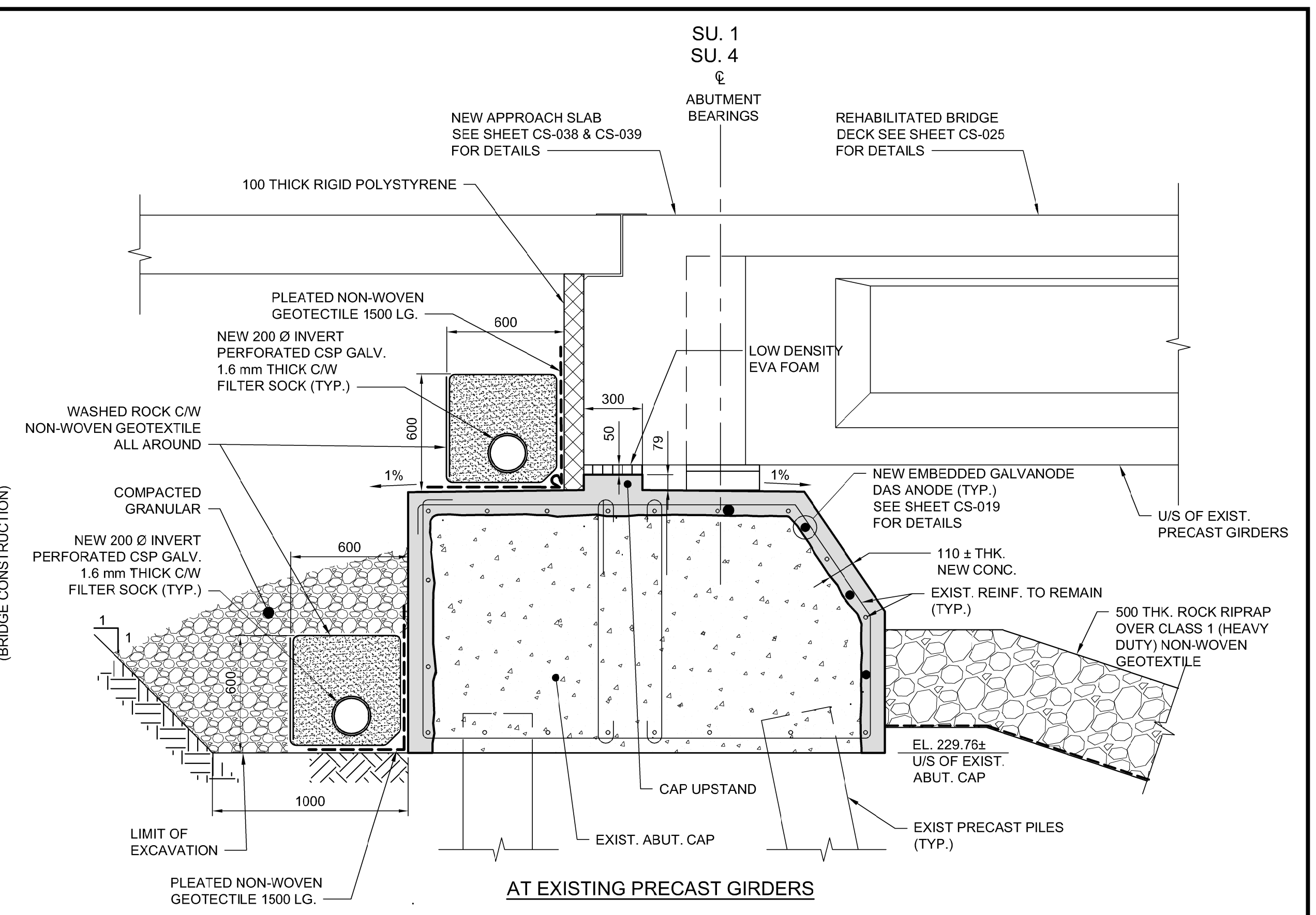


PROPOSED ABUTMENT PLAN
1:75



APEGM
Certificate of Authorization
Dillon Consulting Limited (MB)
No. 1789 Date: 2018/02/09

NO.	REVISIONS	DATE	BY
0	ISSUED FOR TENDER	18/02/09	DRA

DESIGNED BY	DRA	CHECKED BY	SSR
DRAWN BY	NBG	APPROVED BY	MBL
HOR. SCALE	AS SHOWN	RELEASED FOR CONSTRUCTION	
VERTICAL	AS SHOWN	DATE	2018/02/09

ENGINEER'S SEAL
PROVINCE OF MANITOBA
D.R.C. AMORIM
Member 33215
REGISTERED PROFESSIONAL ENGINEER
CONSULTANT PROJECT NUMBER
17-5932

THE CITY OF WINNIPEG
PUBLIC WORKS DEPARTMENT

Winnipeg

FERMOR AVENUE BRIDGE OVER SEINE RIVER
BRIDGE RE-HABILITATION, PEDESTRIAN-CYCLIST UNDERPASS STRUCTURE AND ROADWORKS FROM ST. ANNE'S ROAD TO ARCHIBALD STREET

CITY DRAWING NUMBER: B-118-2017-CS-017
SHEET 017 OF 100
CONSULTANT DRAWING NUMBER: CS-017

ABUTMENT MODIFICATIONS
1 OF 5

G:\CAD\175932\Drawings\Structural\CONTRACT\BRIDGE-CON-ABUTMENT MODIFICATION 1.dwg