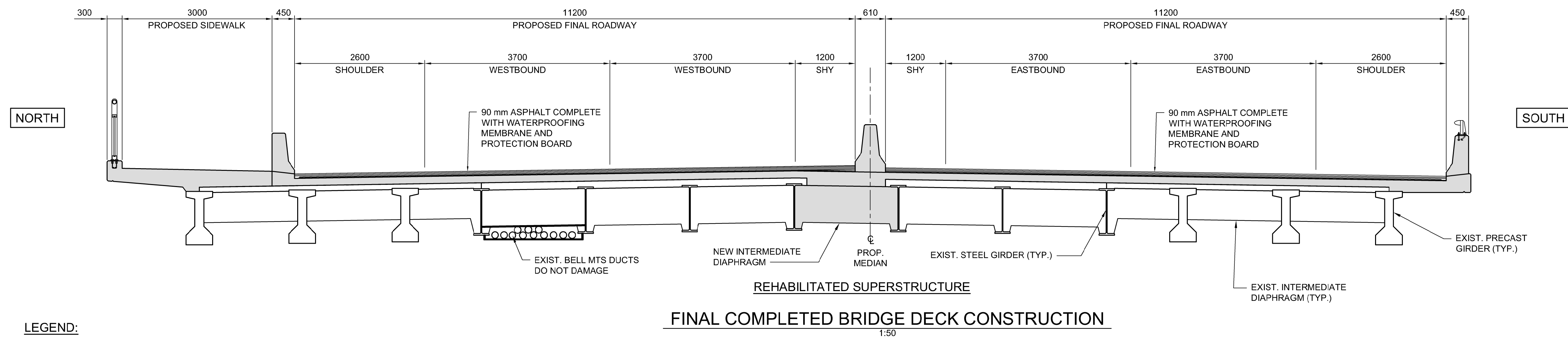
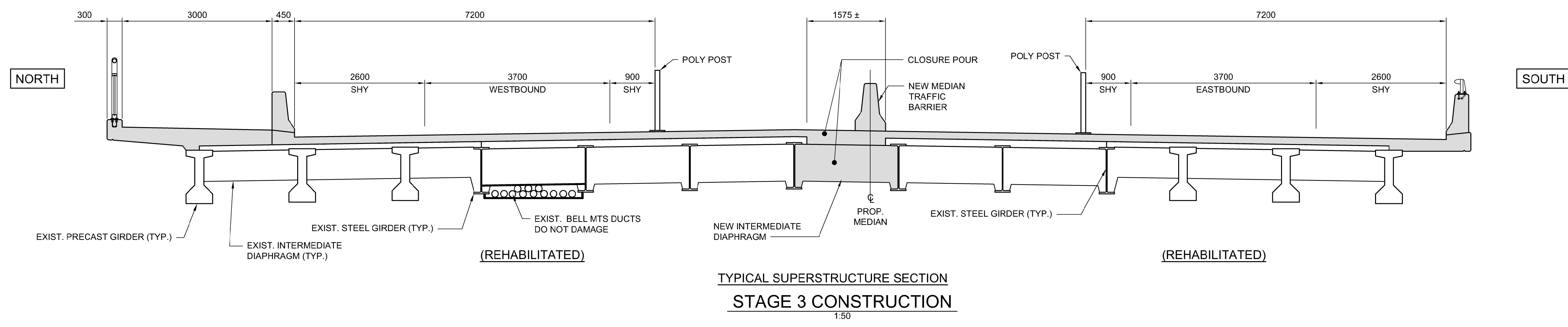
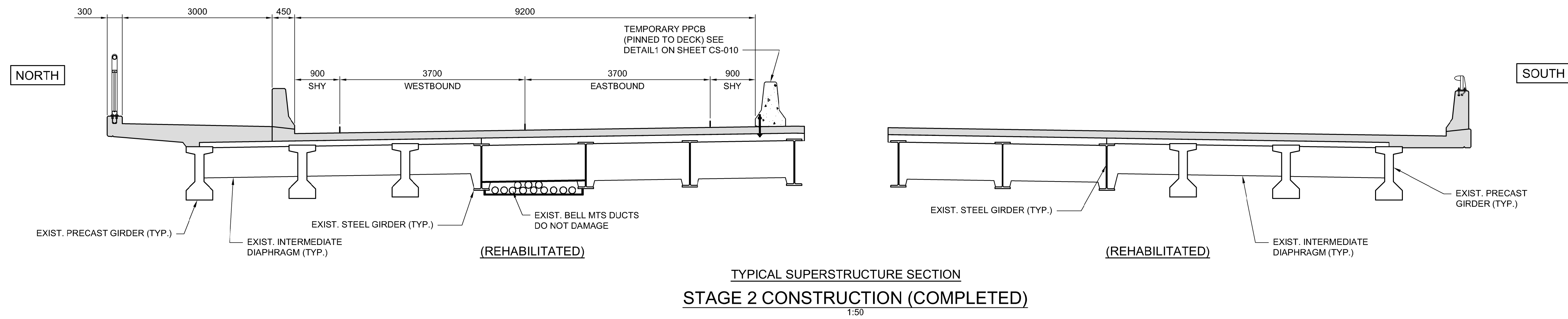


- NOTES:**
1. THE INTENT OF THIS DRAWING IS TO SHOW THE INTENDED CONSTRUCTION STAGING FOR THE PROPOSED BRIDGE WORKS.
  2. BRIDGE WORKS STAGING DRAWINGS TO BE READ IN CONJUNCTION WITH ROADWORKS STAGING DRAWINGS SHEET GE-010 TO GE-021

- STAGE 3 (2019)**
- 3.1 DIRECT WESTBOUND TRAFFIC TO NORTHMOST LANE AND EASTBOUND TRAFFIC TO SOUTHMOST LANE.
  - 3.2 COMPLETE STAGE 3 WORKS.



- LEGEND:**
- NEW CONSTRUCTION
  - NEW ASPHALT OVERLAY

**APEGM**  
 Certificate of Authorization  
 Dillon Consulting Limited (MB)  
 No. 1789 Date: 2018/02/09

DESIGNED BY	DRA	CHECKED BY	SSR
DRAWN BY	NBG	APPROVED BY	MBL
HOR. SCALE	AS SHOWN	RELEASED FOR CONSTRUCTION	
VERTICAL	AS SHOWN		
ISSUED FOR TENDER	18/02/09	DRA	
NO. REVISIONS	DATE	BY	DATE
	2018/02/09	DRA	

ENGINEER'S SEAL  
 PROVINCE OF MANITOBA  
**D.R.C. AMORIM**  
 Member  
 33215  
 REGISTERED PROFESSIONAL ENGINEER  
 CONSULTANT PROJECT NUMBER  
 17-5932

**THE CITY OF WINNIPEG**  
 PUBLIC WORKS DEPARTMENT

**Winnipeg**

**FERMOR AVENUE BRIDGE OVER SEINE RIVER**  
 BRIDGE RE-HABILITATION, PEDESTRIAN-CYCLIST UNDERPASS STRUCTURE AND ROADWORKS FROM ST. ANNE'S ROAD TO ARCHIBALD STREET

CITY DRAWING NUMBER  
 B-118-2017-CS-013

SHEET  
 013 OF 100

CONSULTANT DRAWING NUMBER  
 CS - 013

BRIDGE CONSTRUCTION STAGING  
 4 OF 4

G:\CAD\175932\Drawings\Structural\BRIDGE-CON-CS-STAGING 4.dwg