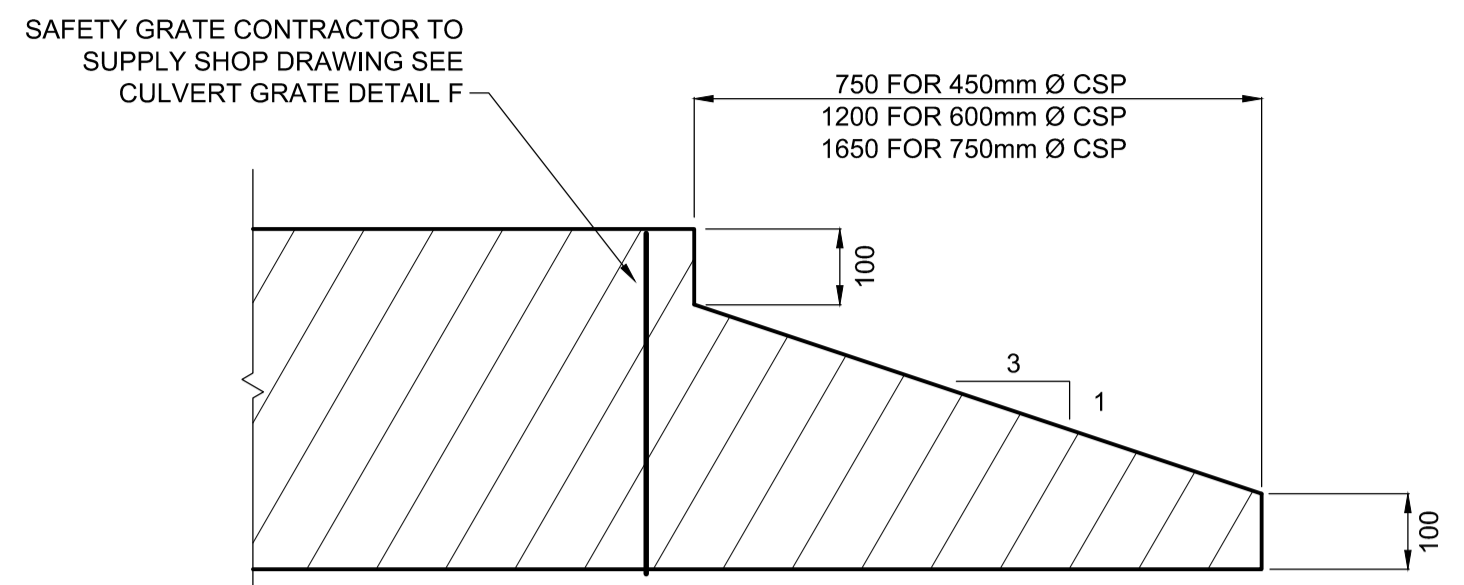
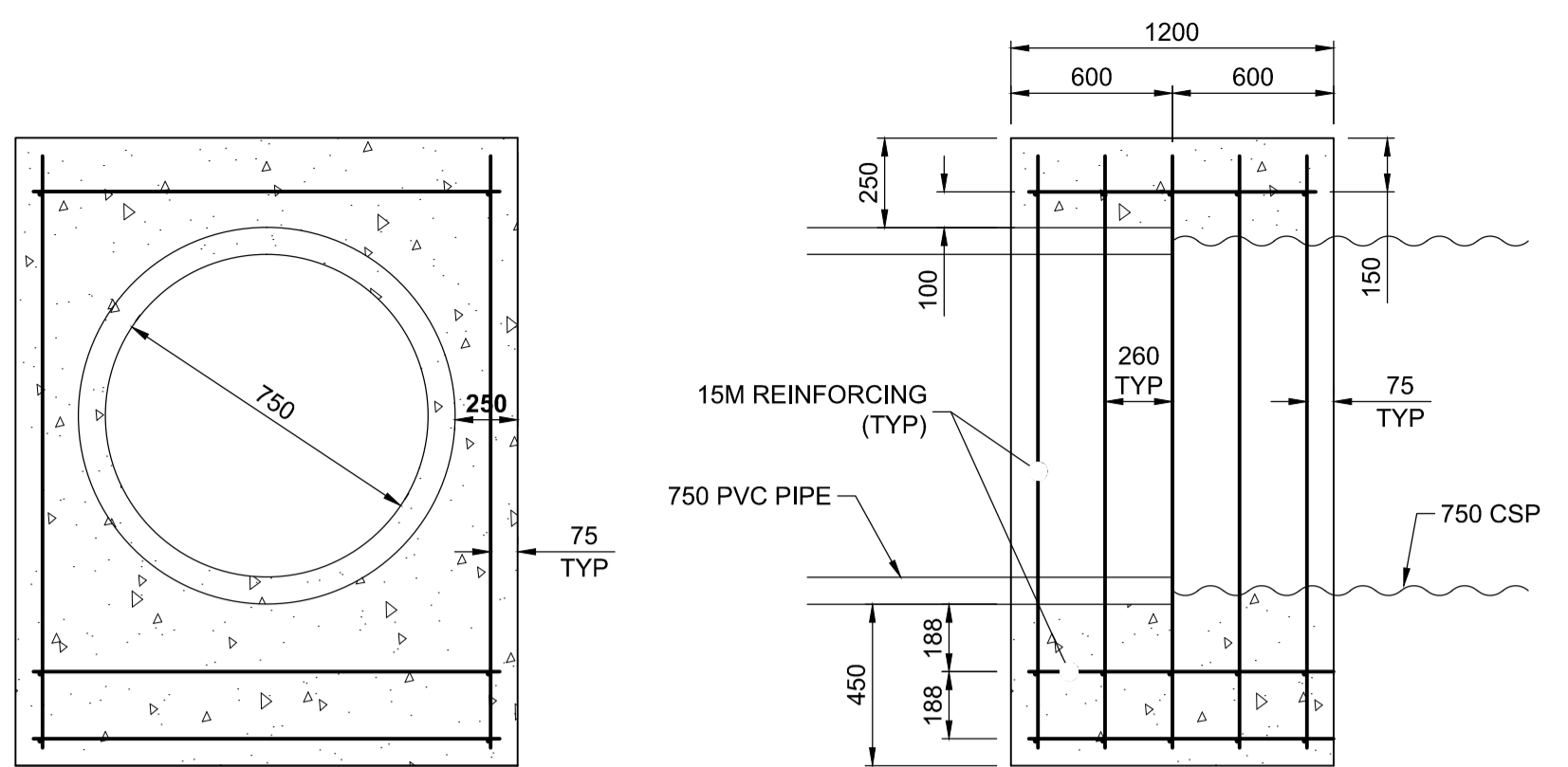


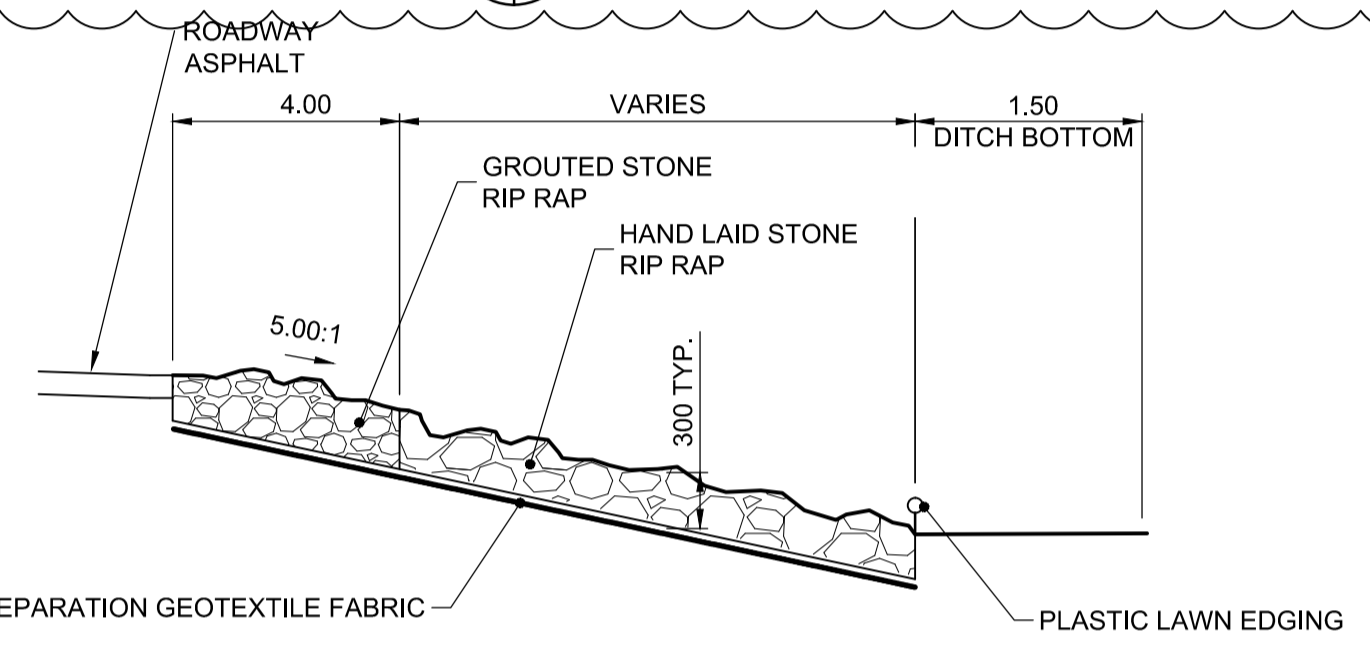
10 STONE RIP RAP CHANNEL
SCALE: N.T.S.



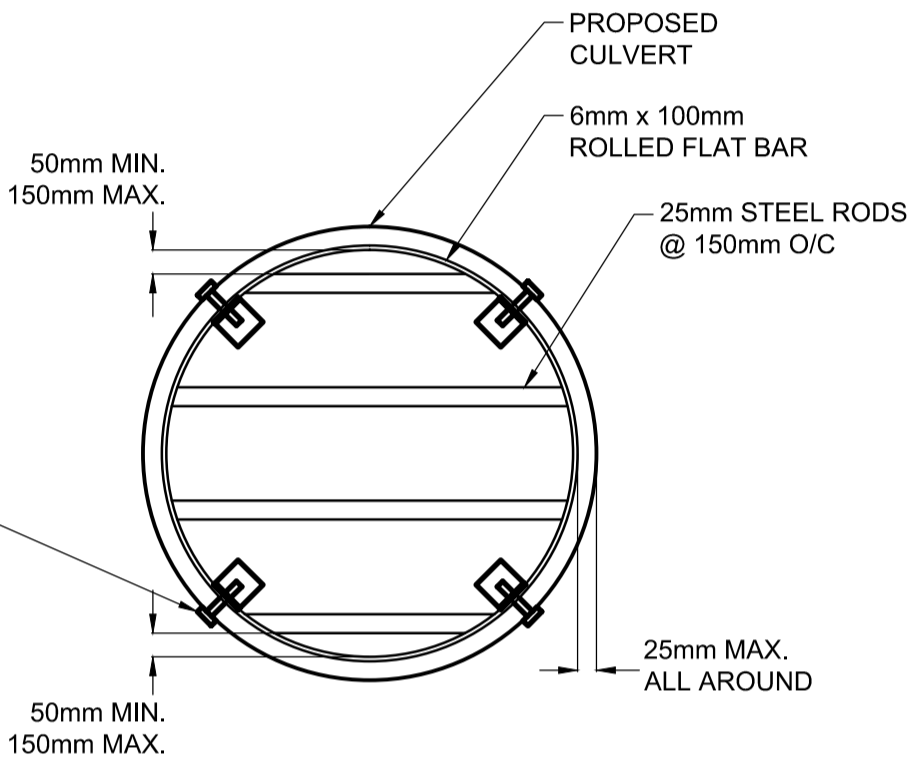
6 CSP CULVERT BEVELLED END
SCALE 1:10



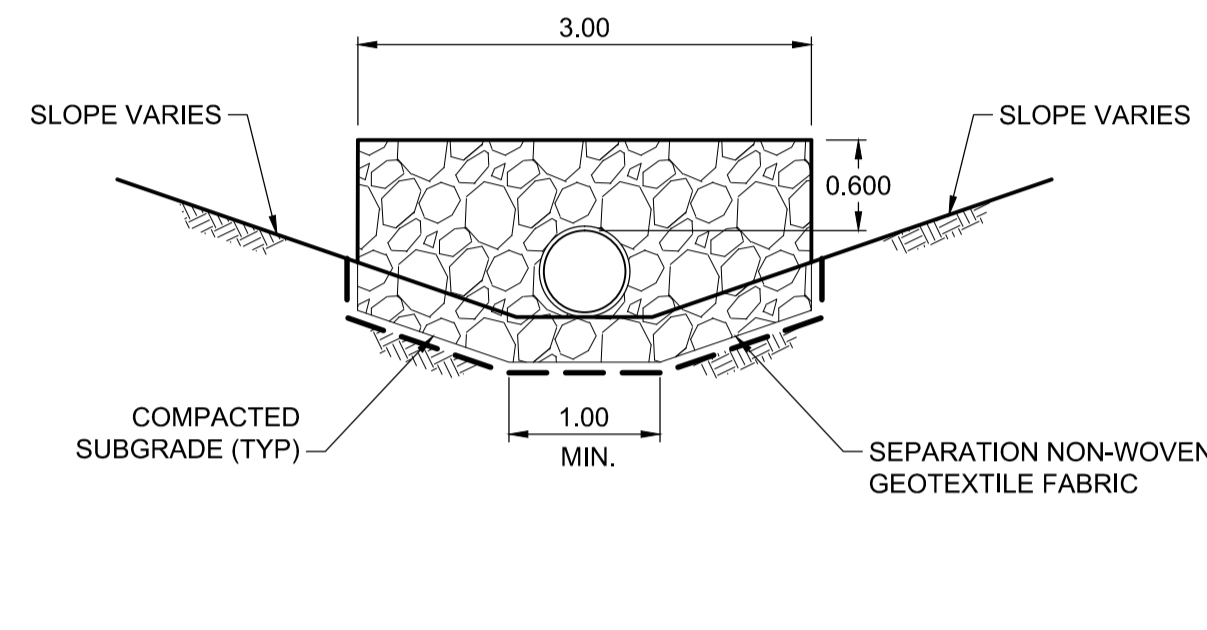
12 CONCRETE COLLAR
SCALE N.T.S.



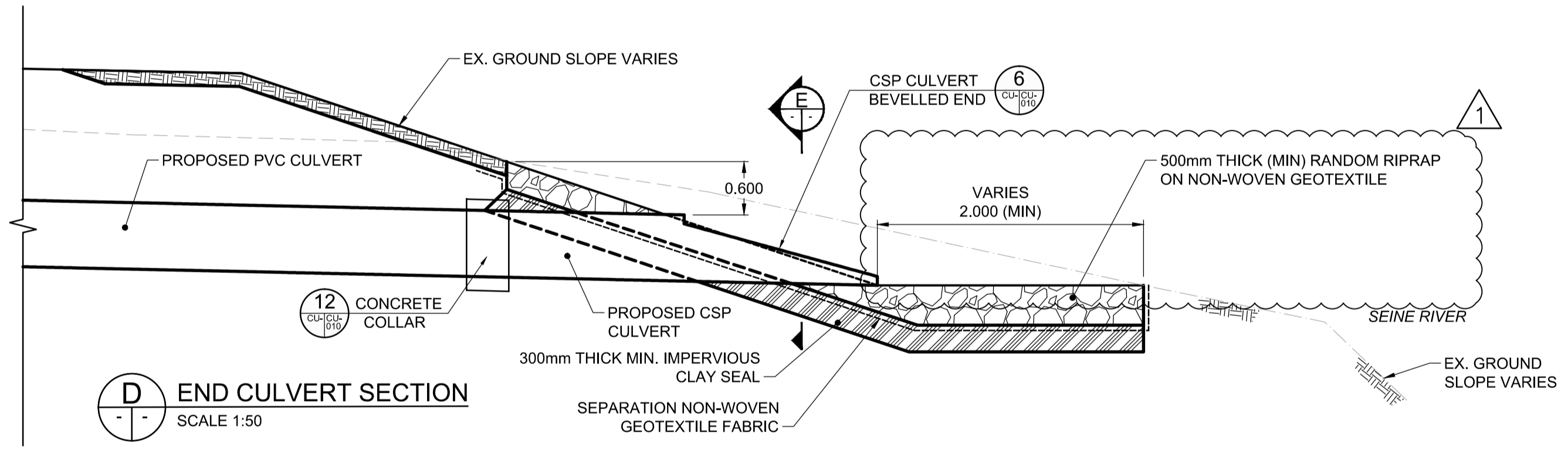
C STONE RIPRAP CHANNEL SECTION
SCALE N.T.S.



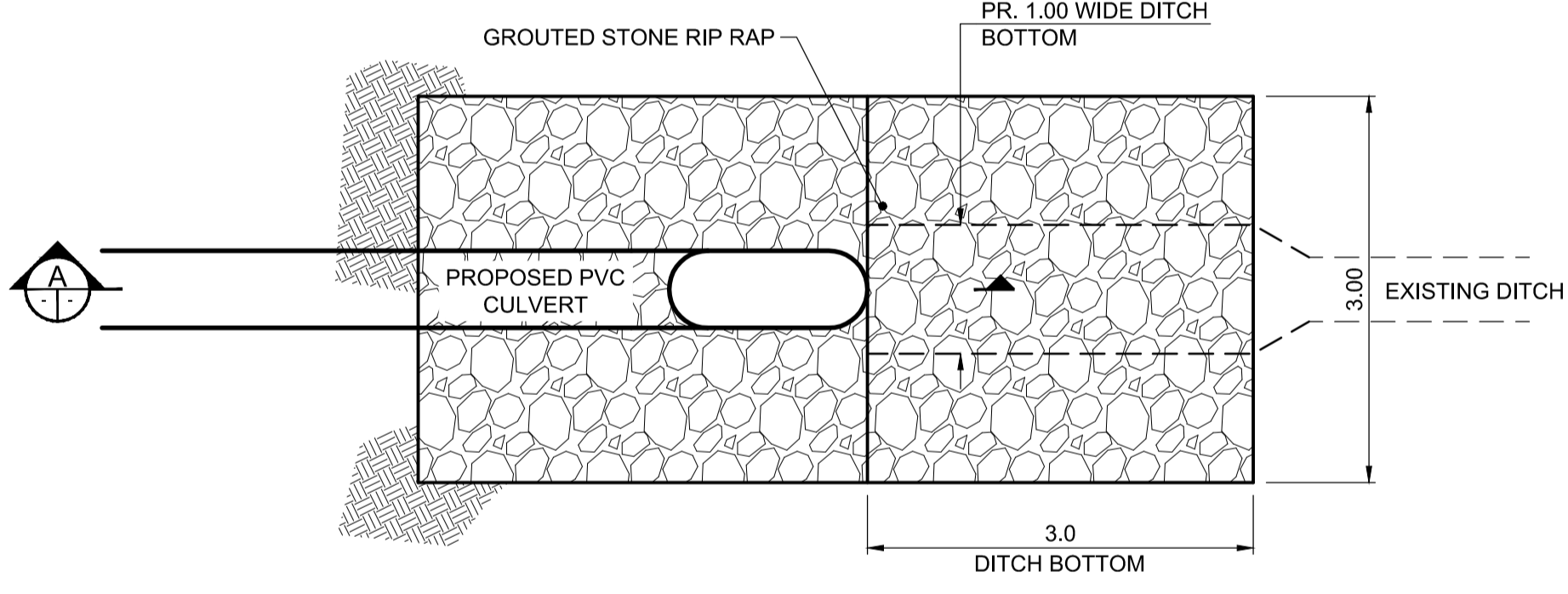
F CULVERT GRATE
SCALE 1:10



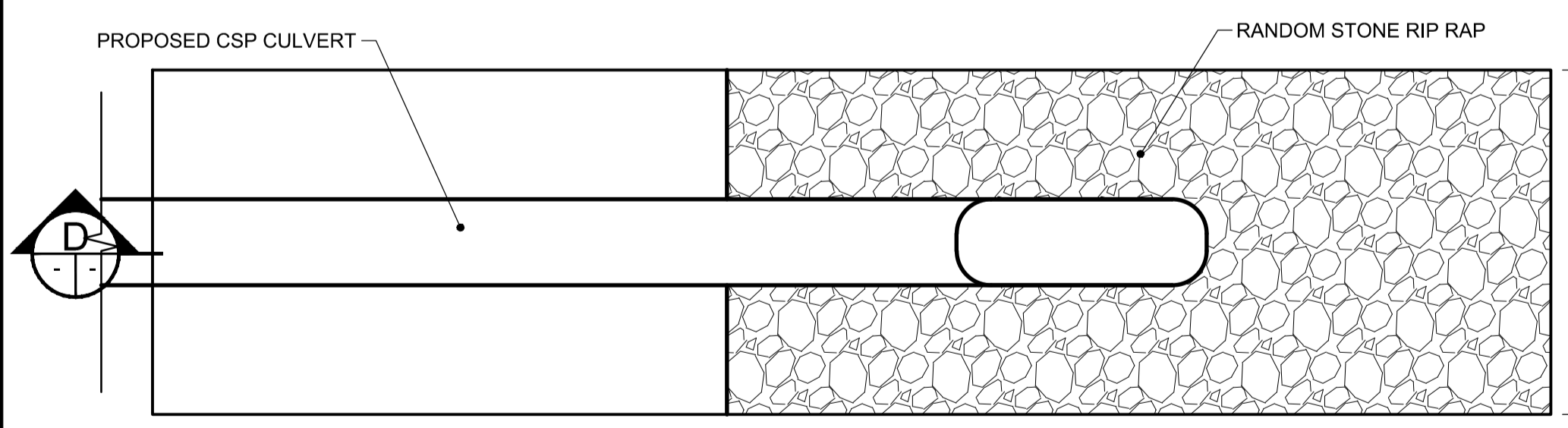
B SECTION
SCALE 1:50



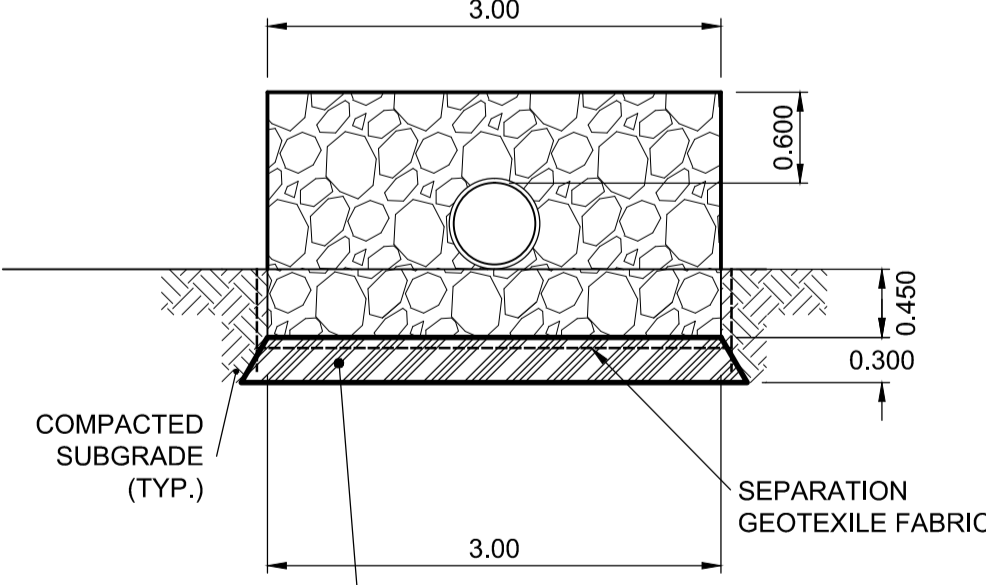
D END CULVERT SECTION
SCALE 1:50



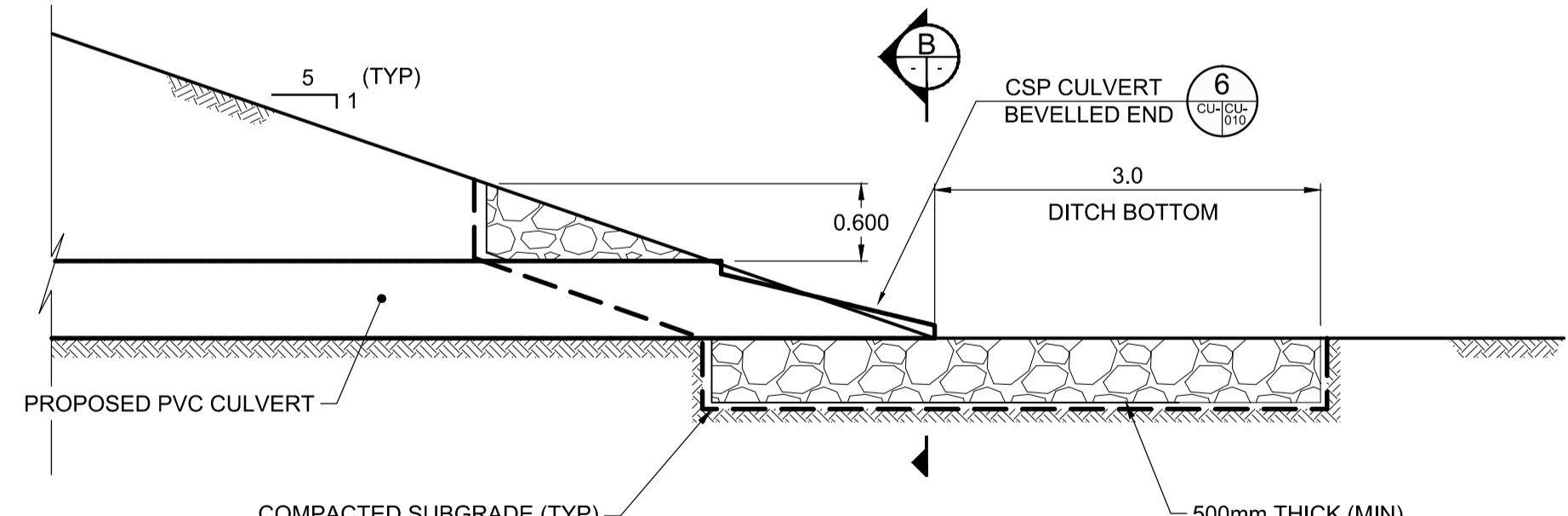
8 CULVERT INLET/OUTLET
SCALE 1:50



7 DRAINAGE OUTLET TO RIVER
SCALE 1:50



E SECTION
SCALE 1:50



A SECTION
SCALE 1:50

METRIC
WHOLE NUMBERS INDICATE MILLIMETRES
DECIMALIZED NUMBERS INDICATE METRES

- WARNING**
- IF POWER EQUIPMENT OR EXPLOSIVES ARE TO BE USED FOR EXCAVATION ON THIS PROJECT THE CONTRACTOR MUST:
1. NOTIFY THE GAS COMPANY OF THE PROPOSED LOCATION OF EXCAVATION.
 2. TAKE PRECAUTION TO AVOID DAMAGE TO GAS COMPANY INSTALLATIONS SEE PROVINCIAL REGULATION 210/72 FOR DETAILS.
 3. OBTAIN EXCAVATION PERMITS PRIOR TO CONSTRUCTION.

APEGM
Certificate of Authorization
Dillon Consulting Limited (MB)
No. 1789 Date: 18/02/01

150 WM	WATERMAIN	150 WM	CONCRETE	150 WM	WATERMAIN	150 WM	WATERMAIN
300 LDS	HYDRANT	300 LDS	ASPHALT	300 LDS	LAND DRAINAGE SEWER	300 LDS	LAND DRAINAGE SEWER
250 WWS	VALVE	250 WWS	PLANING	250 WWS	WASTE WATER SEWER	250 WWS	WASTE WATER SEWER
300 LDS	MANHOLE	300 LDS	SIDEWALK	300 LDS	HYDRANT	300 LDS	HYDRANT
250 WWS	CATCH BASIN	250 WWS	PAVING STONES	250 WWS	VALVE	250 WWS	VALVE
100 GAS	CURB INLET	100 GAS	PARTIAL DEPTH REPAIR	100 GAS	C PROFILE	100 GAS	C PROFILE
250 WWS	LAND DRAINAGE SEWER	250 WWS	PROPERTY LINE	250 WWS	NORTH/WEST GUTTER	250 WWS	NORTH/WEST GUTTER
100 GAS	WASTE WATER SEWER	100 GAS	DRAINAGE ARROW	100 GAS	SOUTH/EAST GUTTER	100 GAS	SOUTH/EAST GUTTER
HYDRO	HYDRO	HYDRO	CURB RAMP (SD-229C)	HYDRO	NORTH/WEST DITCH	HYDRO	NORTH/WEST DITCH
M.T.S.	M.T.S.	M.T.S.	DETECTABLE WARNING SURFACE TILE (SD-229AA)	M.T.S.	SOUTH/EAST DITCH	M.T.S.	SOUTH/EAST DITCH
100 GAS	GAS	100 GAS		100 GAS		100 GAS	
EXISTING	LEGEND-PLAN	PROPOSED	EXISTING	LEGEND-PLAN	PROPOSED	EXISTING	LEGEND-PROFILE

UNDERGROUND STRUCTURES		B.M. ELEV.	DESIGNED BY	WPN
SUPPLY	U/G STRUCTURES	DATE	DRAWN BY	GLG
1	ADDENDUM #5	18/03/16	CHECKED BY	WPN
0	ISSUED FOR TENDER	18/02/09	APPROVED BY	-
NO.	REVISIONS	DATE	HOR. SCALE	1:500
			VERTICAL	1:50

DILLON CONSULTING

RELEASED FOR CONSTRUCTION

ENGINEER'S SEAL
PROVINCE OF MANITOBA
W.P. NAIRN
REGISTERED PROFESSIONAL ENGINEER

CONSULTANT PROJECT NUMBER
17-5932

THE CITY OF WINNIPEG
PUBLIC WORKS DEPARTMENT

FERMOR AVENUE BRIDGE OVER SEINE RIVER
BRIDGE REHABILITATION, PEDESTRIAN-CYCLIST UNDERPASS STRUCTURE AND ROADWORKS FROM ST. ANNE'S ROAD TO ARCHIBALD STREET

CITY DRAWING NUMBER
P-3489-2017-CU-010

SHEET **010** OF **11**

CONSULTANT DRAWING NUMBER
CU-010

LDs STANDARD DETAILS 2