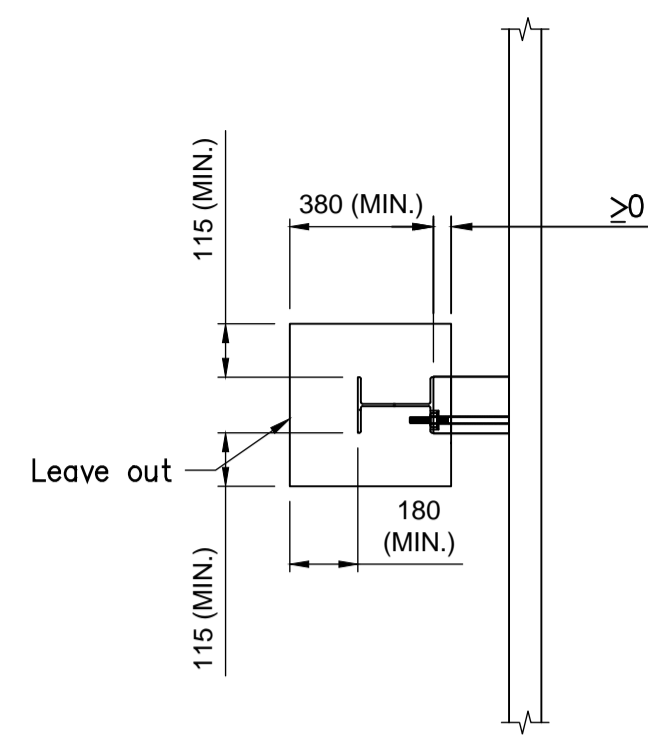
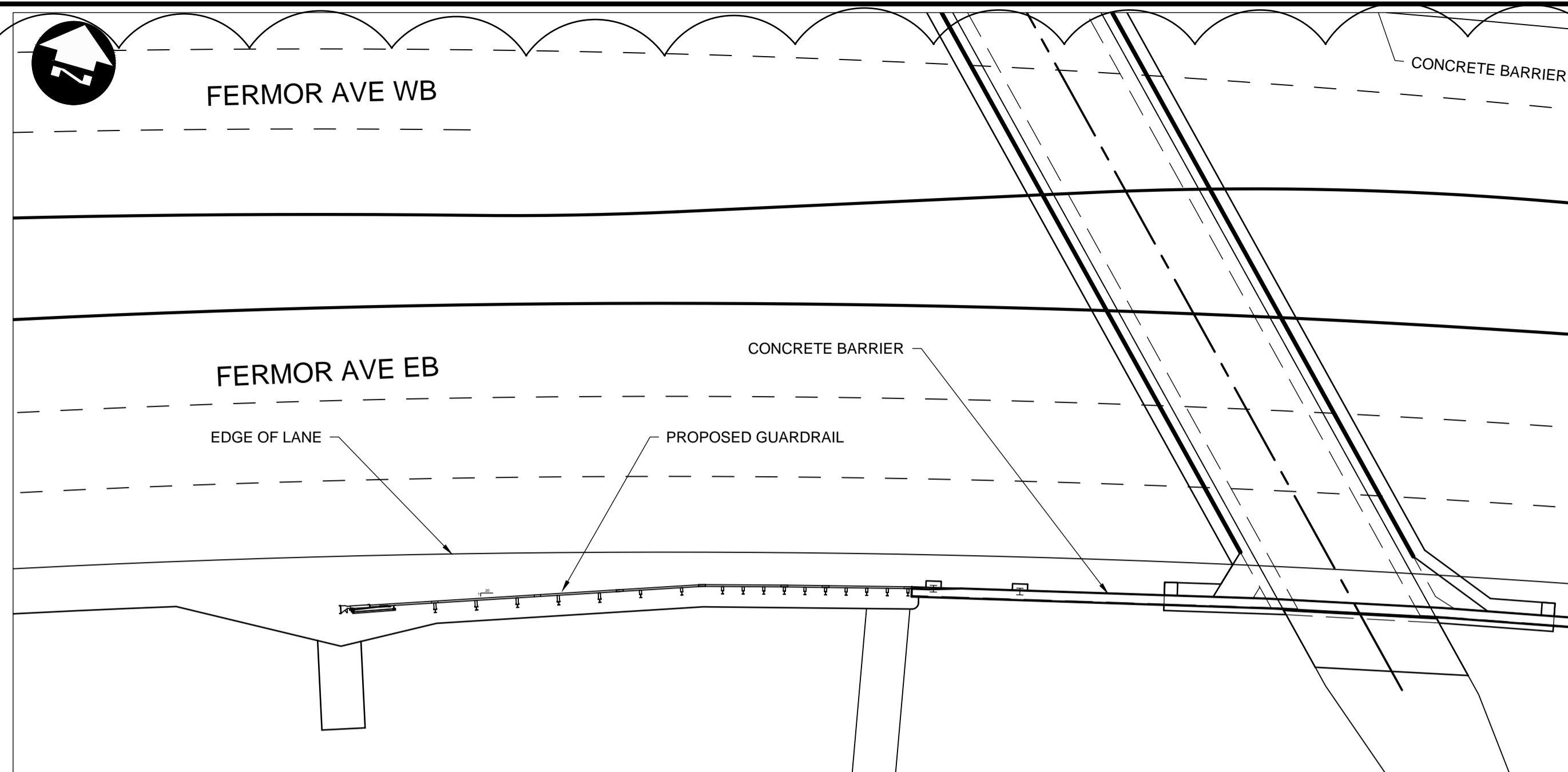


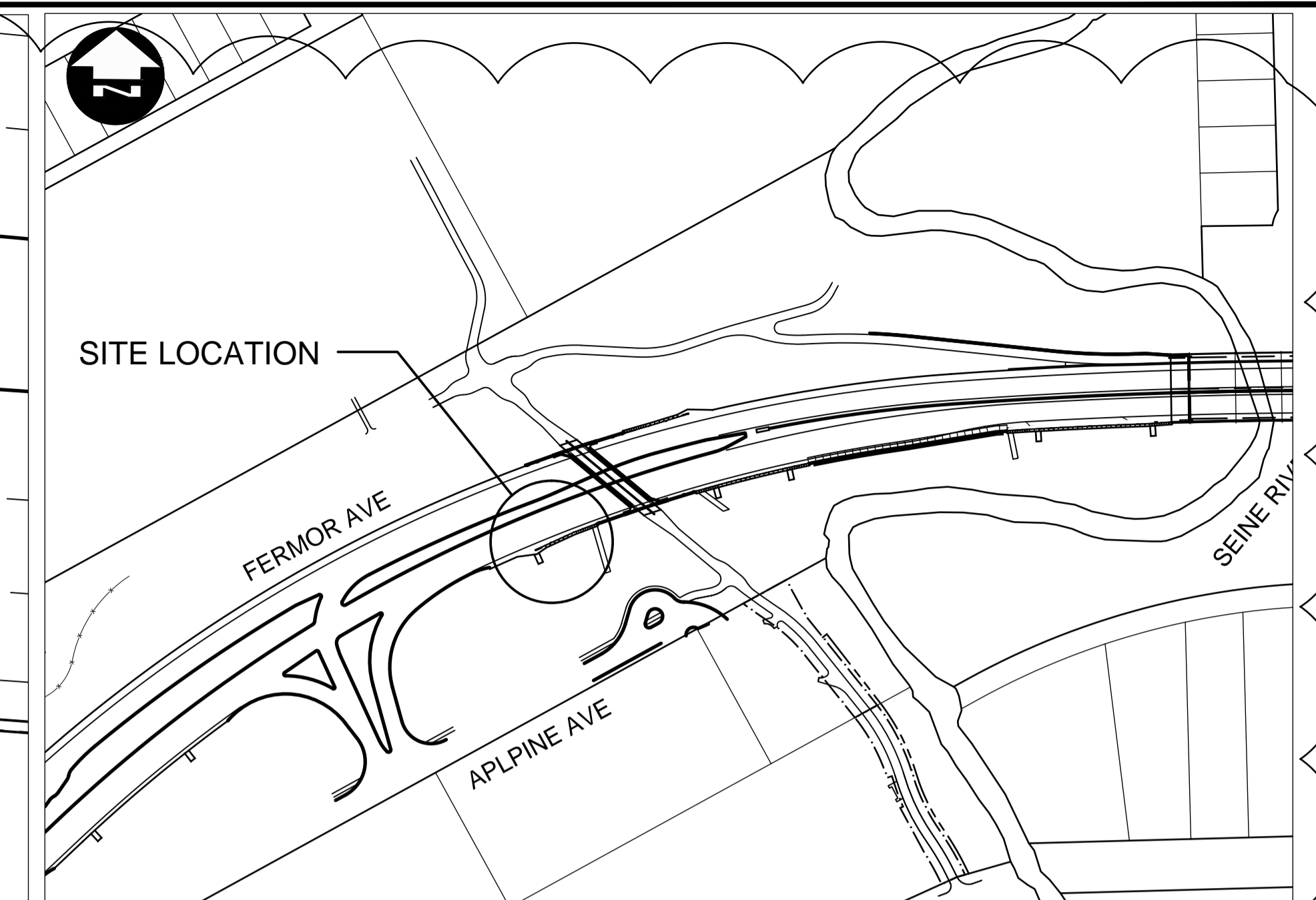
1



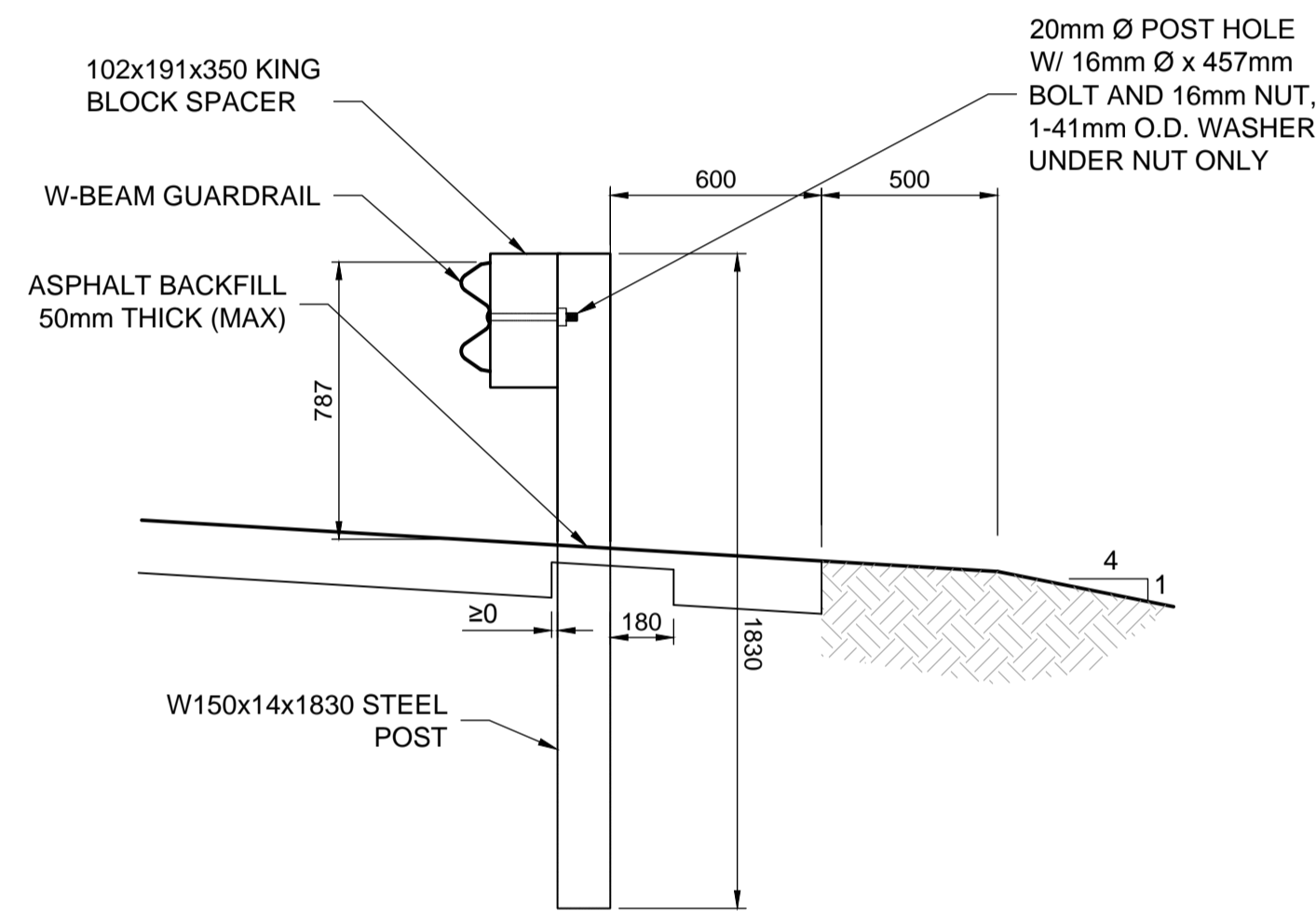
LEAVE OUT DETAIL  
Scale 1:20



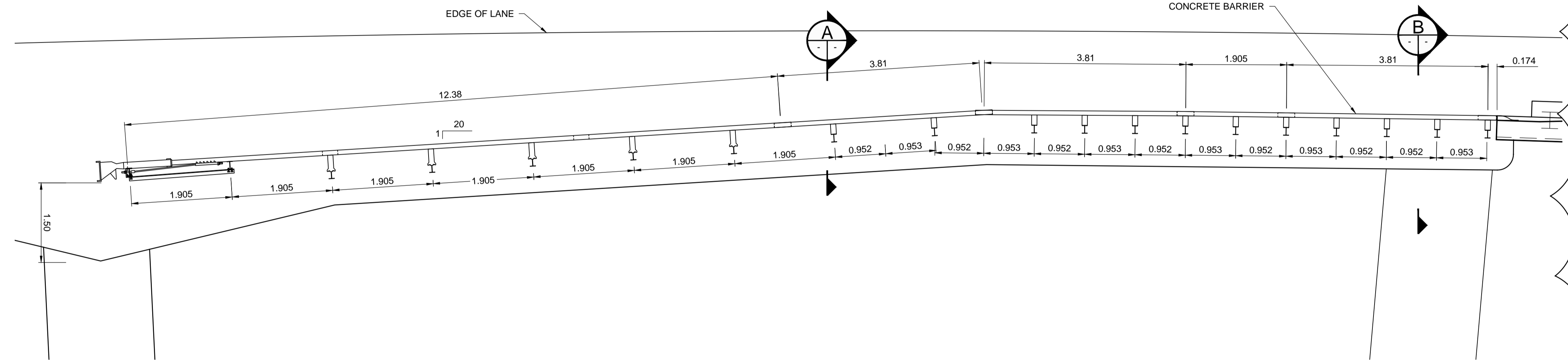
SITE PLAN  
SCALE 1:200



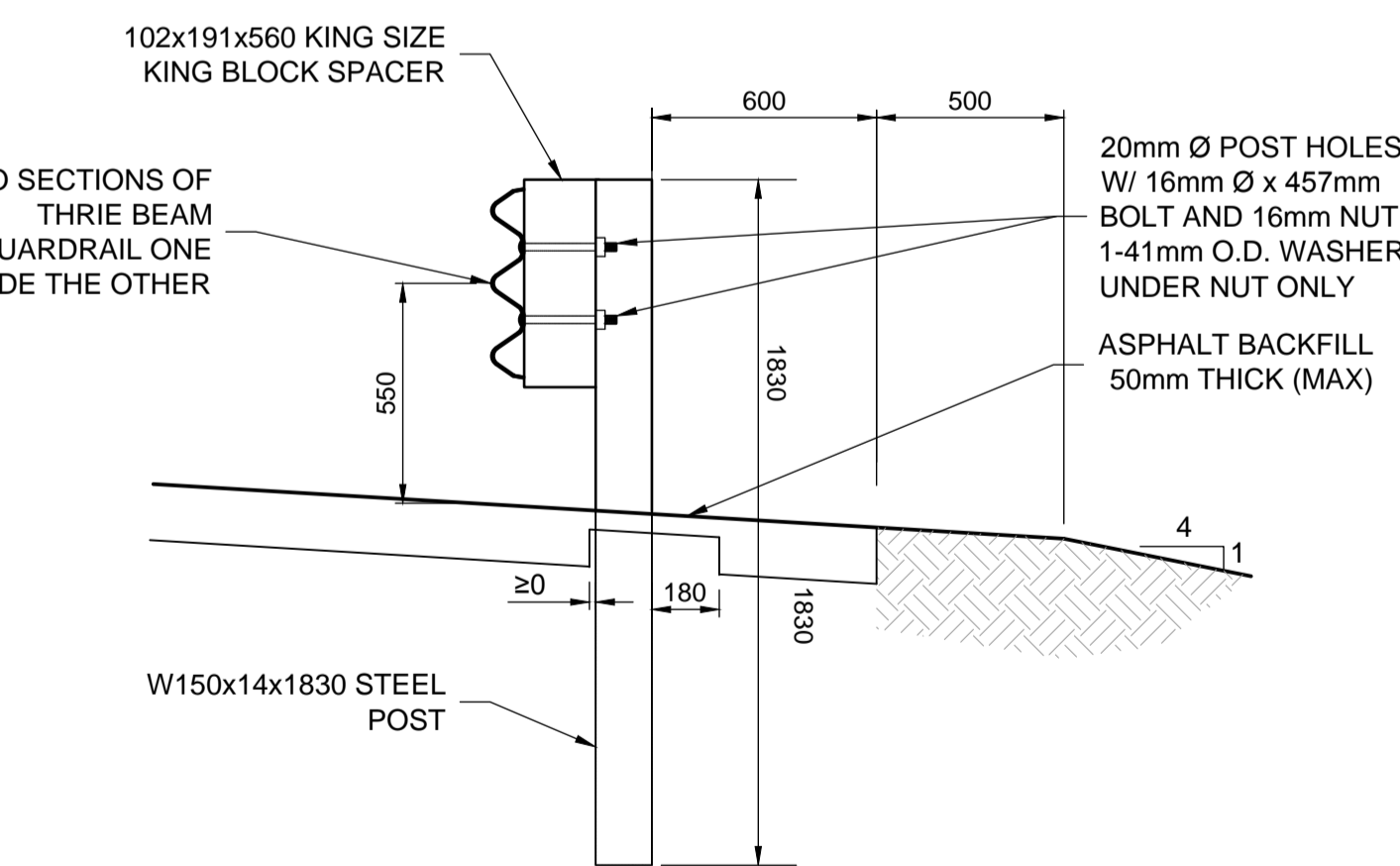
KEY PLAN



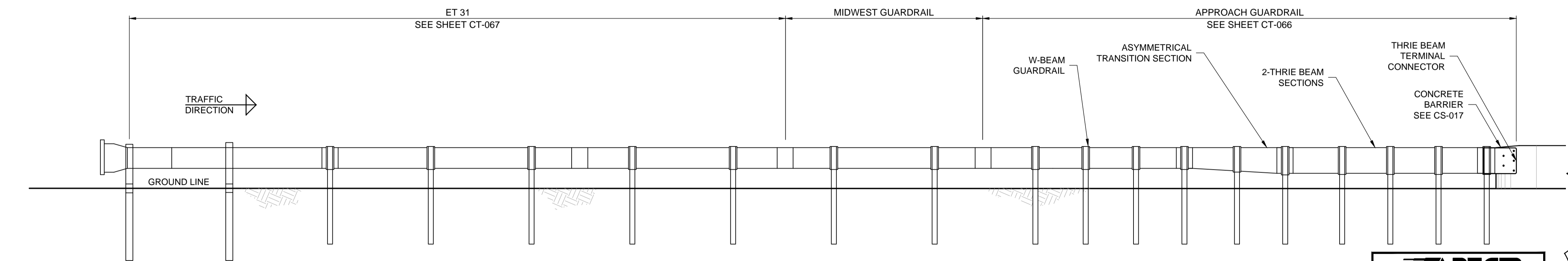
A GUARDRAIL SECTION  
1:20



PLAN VIEW  
SCALE 1:50



B GUARDRAIL SECTION  
1:20



ELEVATION VIEW  
SCALE 1:50

**APEGM**  
Certificate of Authorization  
**Dillon Consulting Limited (MB)**  
No. 1789 Date: 18/02/09

G:\CAD\175932\Drawings\Roadworks\Contract\175932-CON-CT-GUARDRAIL-LAYOUT.dwg

EXISTING	LEGEND-PLAN	PROPOSED	EXISTING	LEGEND-PLAN	PROPOSED	EXISTING	LEGEND-PROFILE	PROPOSED
150 WM	WATERMAIN	150 WM	CONCRETE	ASPHALT	300 LDS	WATERMAIN	150 WM	LAND DRAINAGE SEWER
HYDRANT	VALVE	MANHOLE	PAVING STONES	PARTIAL DEPTH REPAIR	PROPERTY LINE	LAND DRAINAGE SEWER	WASTE WATER SEWER	HYDRANT
CATCH BASIN	CURB INLET	300 LDS	WASTE WATER SEWER	HYDRO	M.T.S.	100 GAS	GAS	VALVE
250 WWS	WASTE WATER SEWER	250 WWS	CONCRETE	ASPHALT	300 LDS	WATERMAIN	150 WM	LAND DRAINAGE SEWER
HYDRO	HYDRO	HYDRO	PAVING STONES	PARTIAL DEPTH REPAIR	PROPERTY LINE	LAND DRAINAGE SEWER	WASTE WATER SEWER	HYDRANT
M.T.S.	M.T.S.	M.T.S.	CONCRETE	ASPHALT	300 LDS	WATERMAIN	150 WM	LAND DRAINAGE SEWER
100 GAS	GAS	100 GAS	PAVING STONES	PARTIAL DEPTH REPAIR	PROPERTY LINE	LAND DRAINAGE SEWER	WASTE WATER SEWER	HYDRANT
EXISTING	LEGEND-PLAN	PROPOSED	EXISTING	LEGEND-PLAN	PROPOSED	EXISTING	LEGEND-PROFILE	PROPOSED

UNDERGROUND STRUCTURES

SUPPLY, U/G STRUCTURES DATE

LOCATION OF UNDERGROUND STRUCTURES AS SHOWN ARE BASED ON THE BEST INFORMATION AVAILABLE. BUT NO GUARANTEE IS GIVEN THAT ALL EXISTING UTILITIES ARE SHOWN OR THAT THE GIVEN LOCATIONS ARE EXACT. CONFIRMATION OF EXISTENCE AND EXACT LOCATION OF ALL SERVICES MUST BE OBTAINED FROM THE INDIVIDUAL UTILITIES BEFORE PROCEEDING WITH CONSTRUCTION.

NO.	REVISIONS	DATE	BY
1	ADDENDUM #5	18/03/16	JNC
0	ISSUED FOR TENDER	18/02/09	JNC

DESIGNED BY	DRAWN BY	CHECKED BY	APPROVED BY	HOR. SCALE	VERTICAL
JAT	PMW	JNC	JNC	AS NOTED	AS NOTED

**DILLON CONSULTING**

RELEASED FOR CONSTRUCTION

DATE

ENGINEER'S SEAL

PROVINCE OF MANITOBA REGISTERED PROFESSIONAL ENGINEER

**J.N. CRANG**

CONSULTANT PROJECT NUMBER  
17-5932

**THE CITY OF WINNIPEG**  
PUBLIC WORKS DEPARTMENT

**FERMOR AVENUE BRIDGE OVER SEINE RIVER**  
BRIDGE REHABILITATION, PEDESTRIAN-CYCLIST UNDERPASS STRUCTURE AND ROADWORKS FROM ST. ANNE'S ROAD TO ARCHIBALD STREET

GUARDRAIL LAYOUT EB FERMOR PEDESTRIAN UNDERPASS

CITY DRAWING NUMBER  
P-3489-2017-CT-063

SHEET 063 OF 067

CONSULTANT DRAWING NUMBER  
CT-063