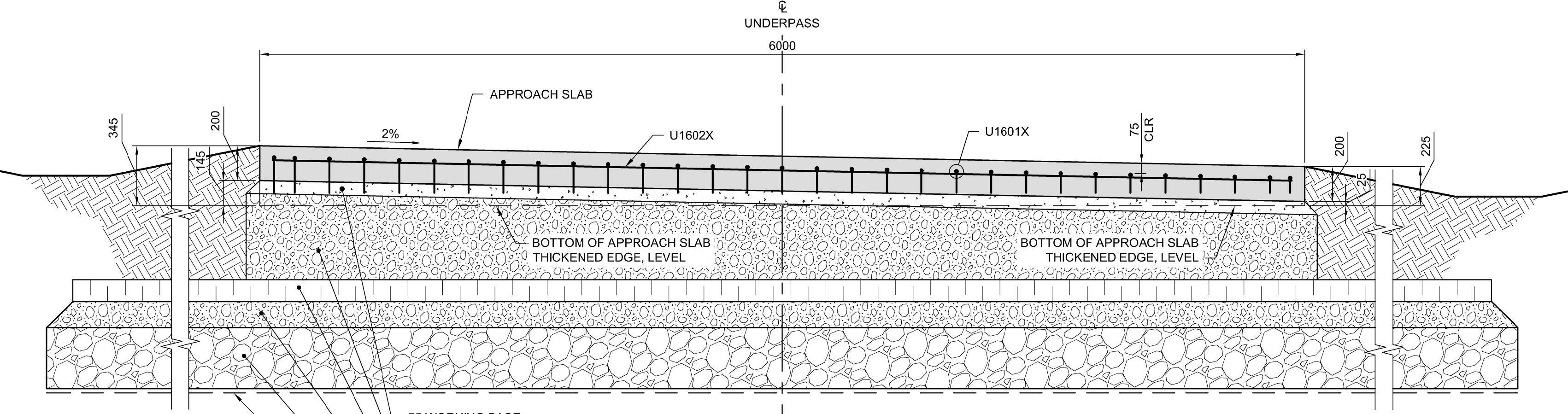
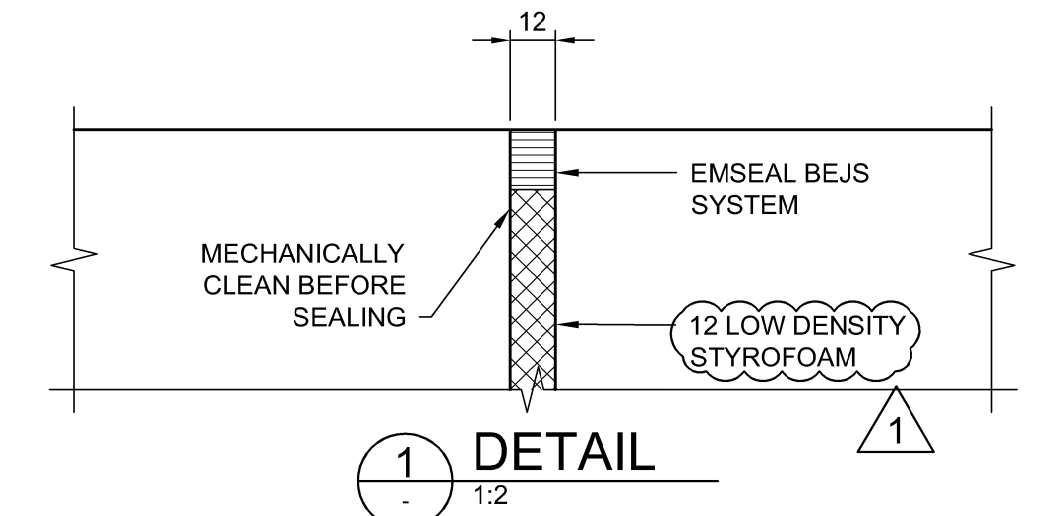
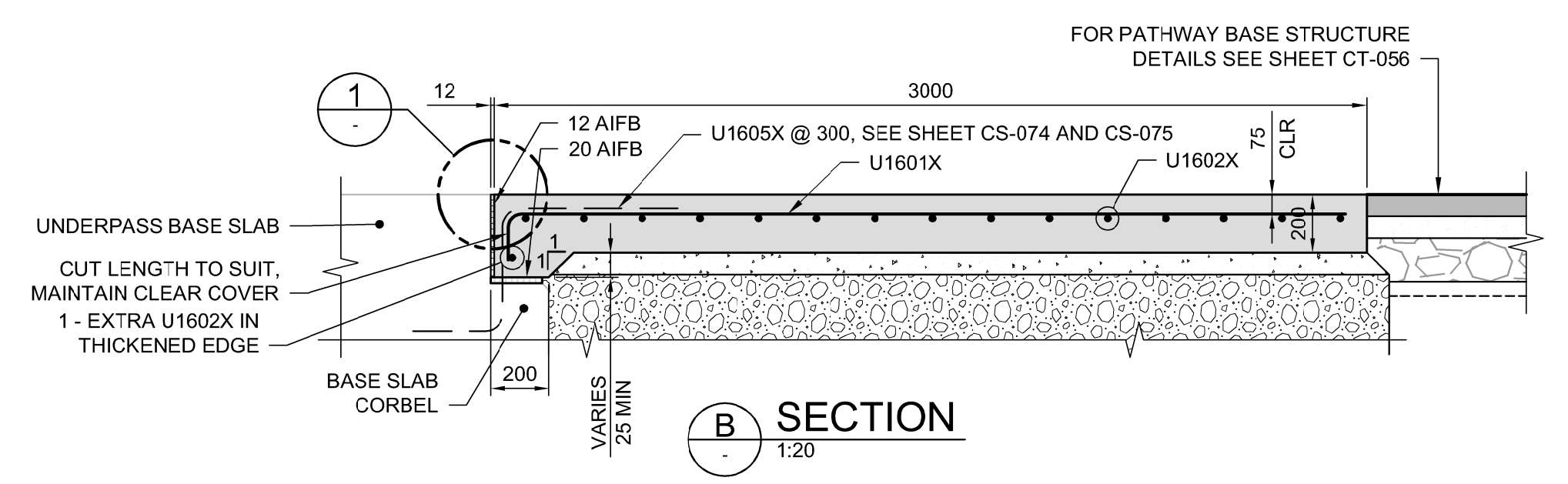


**APPROACH SLAB CONCRETE AND REINFORCING PLAN**  
1:25  
TOP AND BOTTOM REINFORCING



- 75 WORKING BASE
- GRANULAR BASE
- 125 BOARD INSULATION
- 150 BASE
- 350 SUBBASE
- CLASS 1 (HEAVY DUTY WOVEN GEOTEXTILE)

**A SECTION**  
1:20



**B SECTION**  
1:20

G:\CAD\175932\Drawings\Structural\Underpass\CON-CS-REINF DETAILS 4.dwg



NO.	REVISIONS	DATE	BY
1	ADDENDUM #5	18/03/16	DRA
0	ISSUED FOR TENDER	18/02/09	DRA

DESIGNED BY	DRA	CHECKED BY	SSR
DRAWN BY	MG	APPROVED BY	MBL
HOR. SCALE	AS SHOWN	RELEASED FOR CONSTRUCTION	
VERTICAL SCALE	AS SHOWN		
DATE	2018/02/09	DATE	

ENGINEER'S SEAL  
  
 CONSULTANT PROJECT NUMBER  
**17-5932**

**THE CITY OF WINNIPEG**  
 PUBLIC WORKS DEPARTMENT  
**Winnipeg**  
**FERMOR AVENUE BRIDGE OVER SEINE RIVER**  
 BRIDGE RE-HABILITATION, PEDESTRIAN-CYCLIST UNDERPASS STRUCTURE AND ROADWORKS FROM ST. ANNE'S ROAD TO ARCHIBALD STREET  
 PEDESTRIAN-CYCLIST UNDERPASS  
 APPROACH SLAB DETAILS  
 CITY DRAWING NUMBER  
 U-243-2017-CS-077  
 SHEET **077** OF **100**  
 CONSULTANT DRAWING NUMBER  
**CS-077**