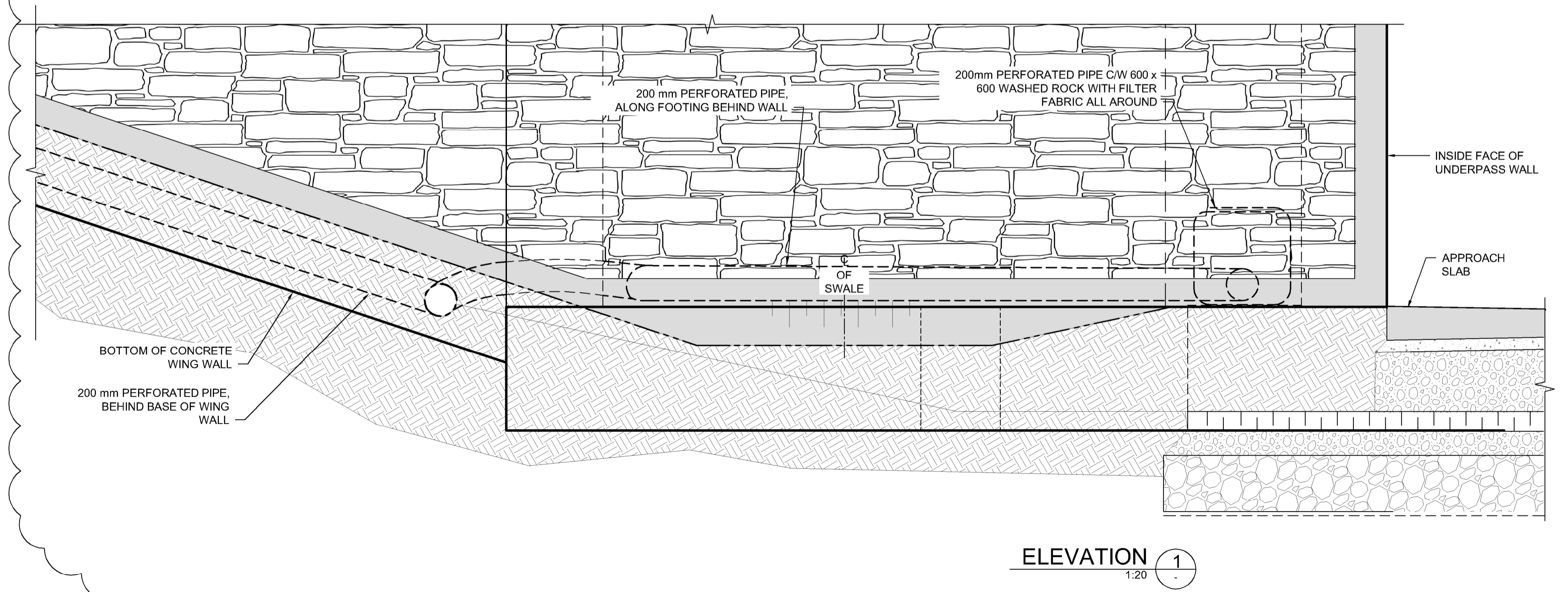
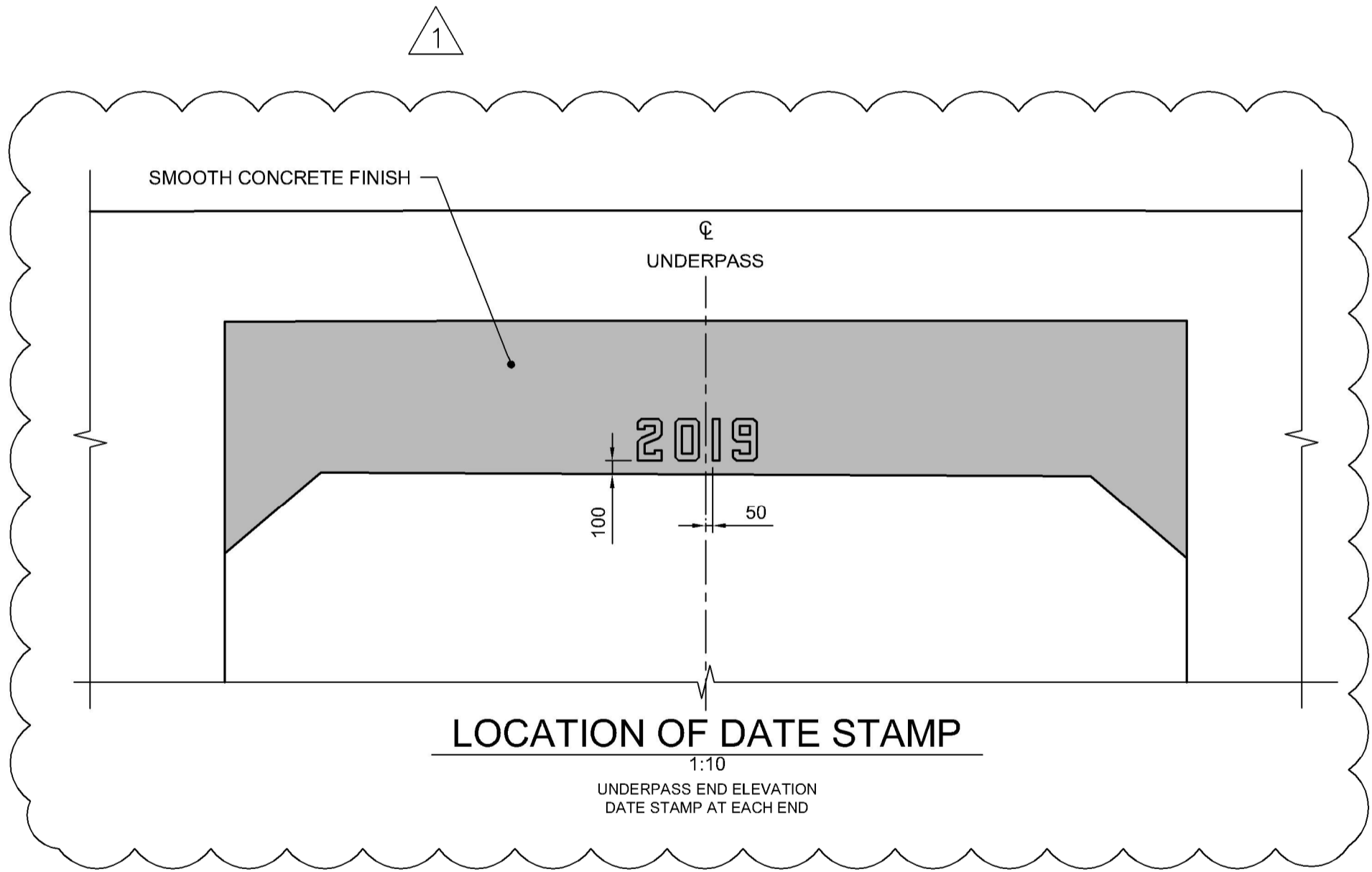
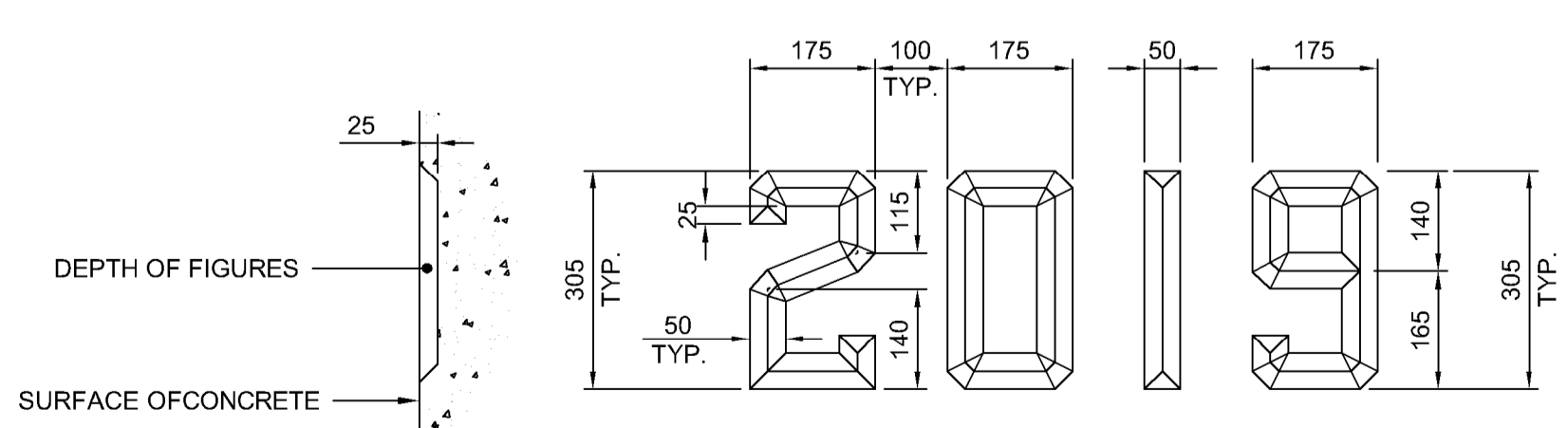


A DRAINAGE PLAN AT UNDERPASS - SOUTH END
 CS-068 1:20
 SOUTHWEST CORNER SHOWN
 SOUTHEAST SIMILAR



ELEVATION **1**
 1:20



DETAILS OF DATE FIGURES
 1:10



NO.	REVISIONS	DATE	BY
1	ADDENDUM #5	18/03/16	DRA
0	ISSUED FOR TENDER	18/02/09	DRA

DESIGNED BY	DRA	CHECKED BY	SSR
DRAWN BY	CGC	APPROVED BY	MBL
HOR. SCALE	AS SHOWN	RELEASED FOR CONSTRUCTION	
VERTICAL	AS SHOWN	DATE	2018/02/09

ENGINEER'S SEAL
 PROVINCE OF MANITOBA
D.R.C. AMORIM
 Member
 33215
 REGISTERED PROFESSIONAL ENGINEER
 CONSULTANT PROJECT NUMBER
 17-5932

THE CITY OF WINNIPEG
 PUBLIC WORKS DEPARTMENT
Winnipeg
 FERMOR AVENUE BRIDGE OVER SEINE RIVER
 BRIDGE REHABILITATION, PEDESTRIAN-CYCLIST UNDERPASS STRUCTURE
 AND ROADWORKS FROM ST. ANNE'S ROAD TO ARCHIBALD STREET
 PEDESTRIAN-CYCLIST UNDERPASS
 CONCRETE DETAILS 3 OF 3
 CITY DRAWING NUMBER
 U-243-2017-CS-071
 SHEET 071 OF 100
 CONSULTANT DRAWING NUMBER
 CS-071

G:\CAD\175932\Drawings\Structural\Underpass\175932-UNDERPASS-CON-CS-COCC-DETAILS_3.dwg