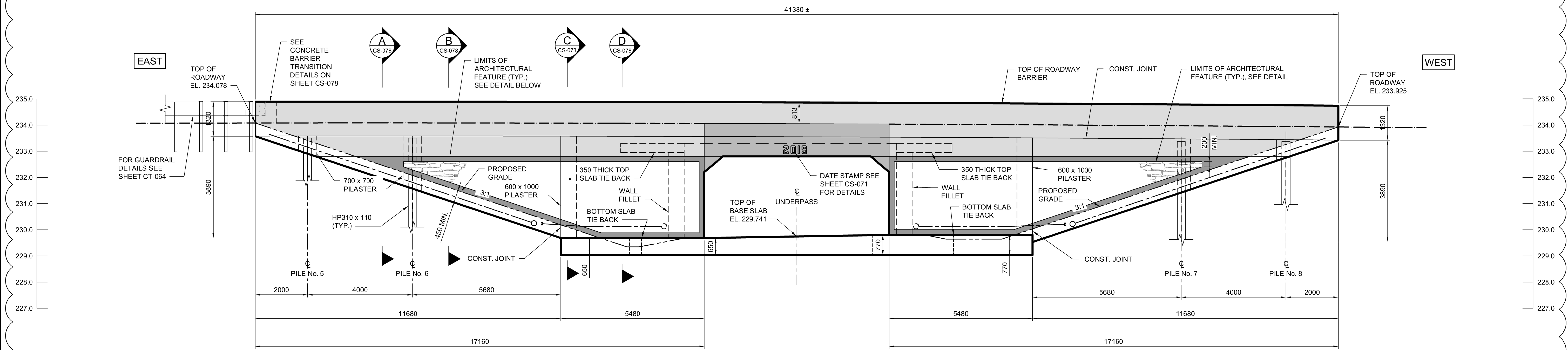


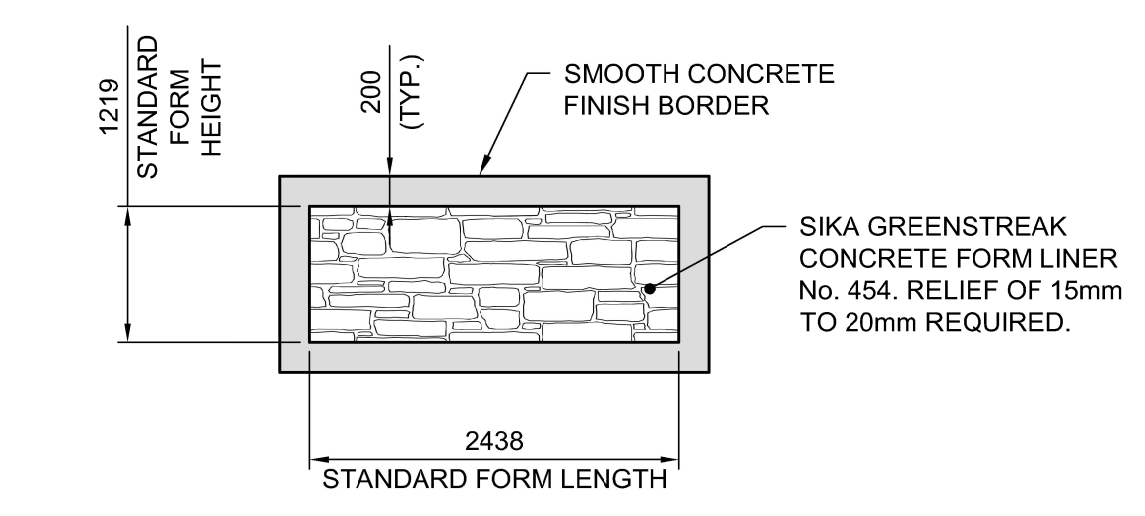
SOUTH ELEVATION
1:75
LOOKING NORTH

SOUTH PILE ELEVATIONS				
	PILE No. 1	PILE No. 2	PILE No. 3	PILE No. 4
CUT-OFF ELEV.	232.60	232.60	232.60	232.60
TIP ELEV.	218.00	218.00	218.00	218.00



NORTH ELEVATION
1:75
LOOKING SOUTH

NORTH PILE ELEVATIONS				
	PILE No. 5	PILE No. 6	PILE No. 7	PILE No. 8
CUT-OFF ELEV.	233.50	233.50	233.37	233.37
TIP ELEV.	218.50	218.50	218.50	218.50



DESIGNED BY	DRA	CHECKED BY	SSR
DRAWN BY	NBG / CGC	APPROVED BY	MBL
HOR. SCALE	AS SHOWN	RELEASED FOR CONSTRUCTION	
VERTICAL	AS SHOWN		
NO. REVISIONS	DATE	BY	DATE
1	ADDENDUM #5		18/03/16 DRA
0	ISSUED FOR TENDER		18/02/09 DRA
			2018/02/09

ENGINEER'S SEAL

PROVINCE OF MANITOBA

D.R.C. AMORIM
Member 33215
REGISTERED PROFESSIONAL ENGINEER

CONSULTANT PROJECT NUMBER
17-5932

THE CITY OF WINNIPEG
PUBLIC WORKS DEPARTMENT

FERMOR AVENUE BRIDGE OVER SEINE RIVER
BRIDGE RE-HABILITATION, PEDESTRIAN-CYCLIST UNDERPASS STRUCTURE AND ROADWORKS FROM ST. ANNE'S ROAD TO ARCHIBALD STREET

CITY DRAWING NUMBER
U-243-2017-CS-068

SHEET **068** OF **100**

CONSULTANT DRAWING NUMBER
CS-068

PEDESTRIAN-CYCLIST UNDERPASS ELEVATIONS