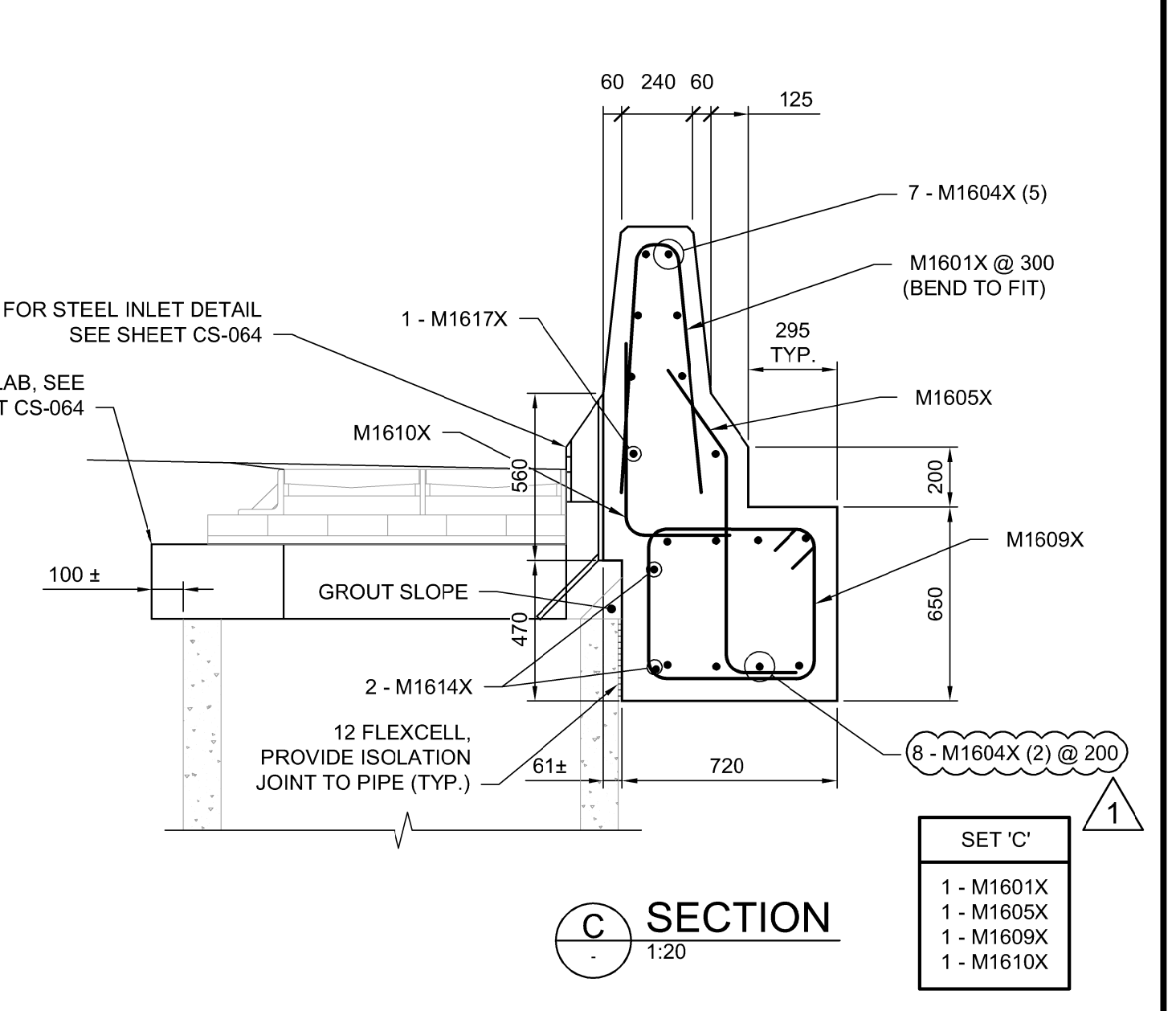
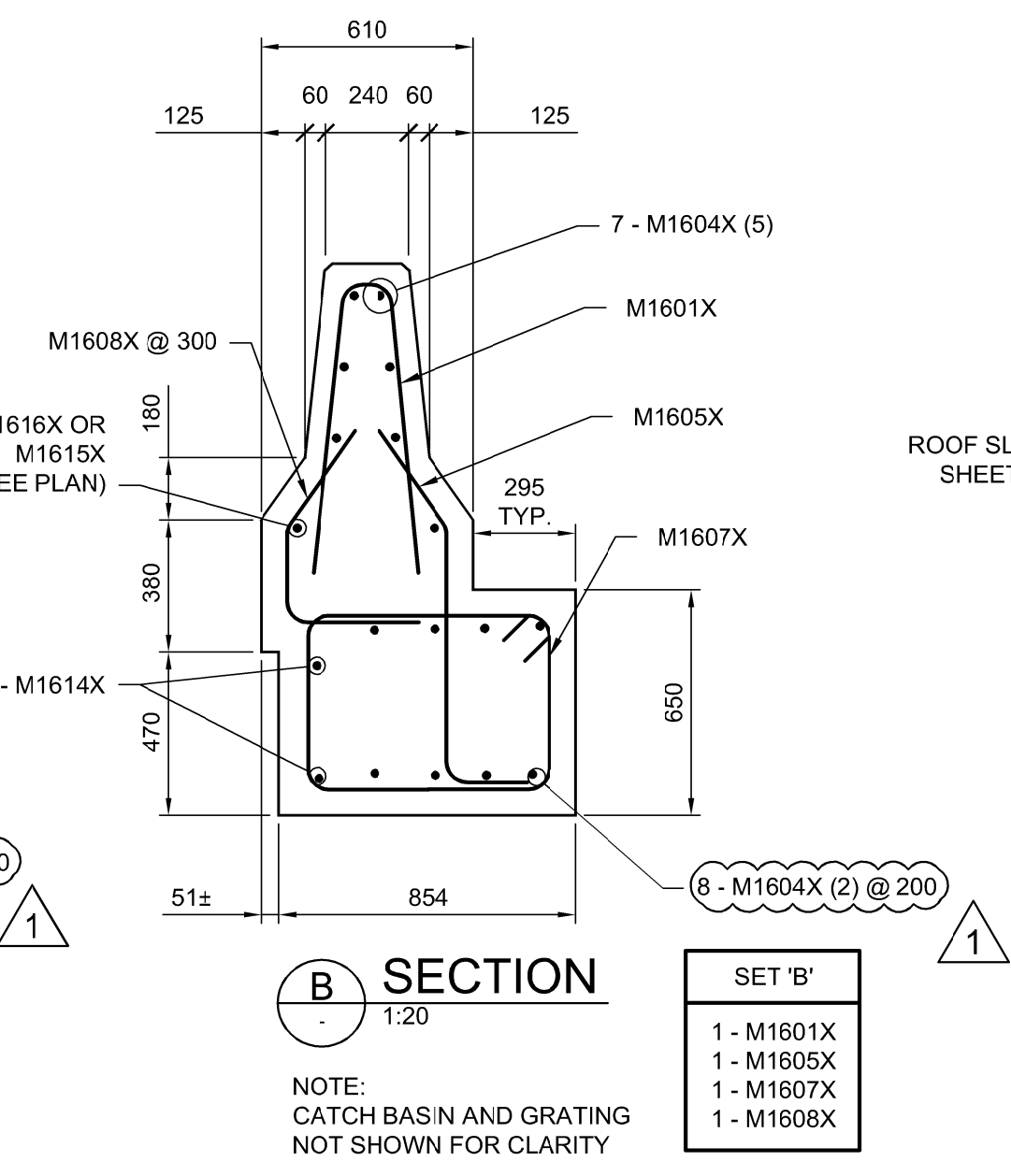
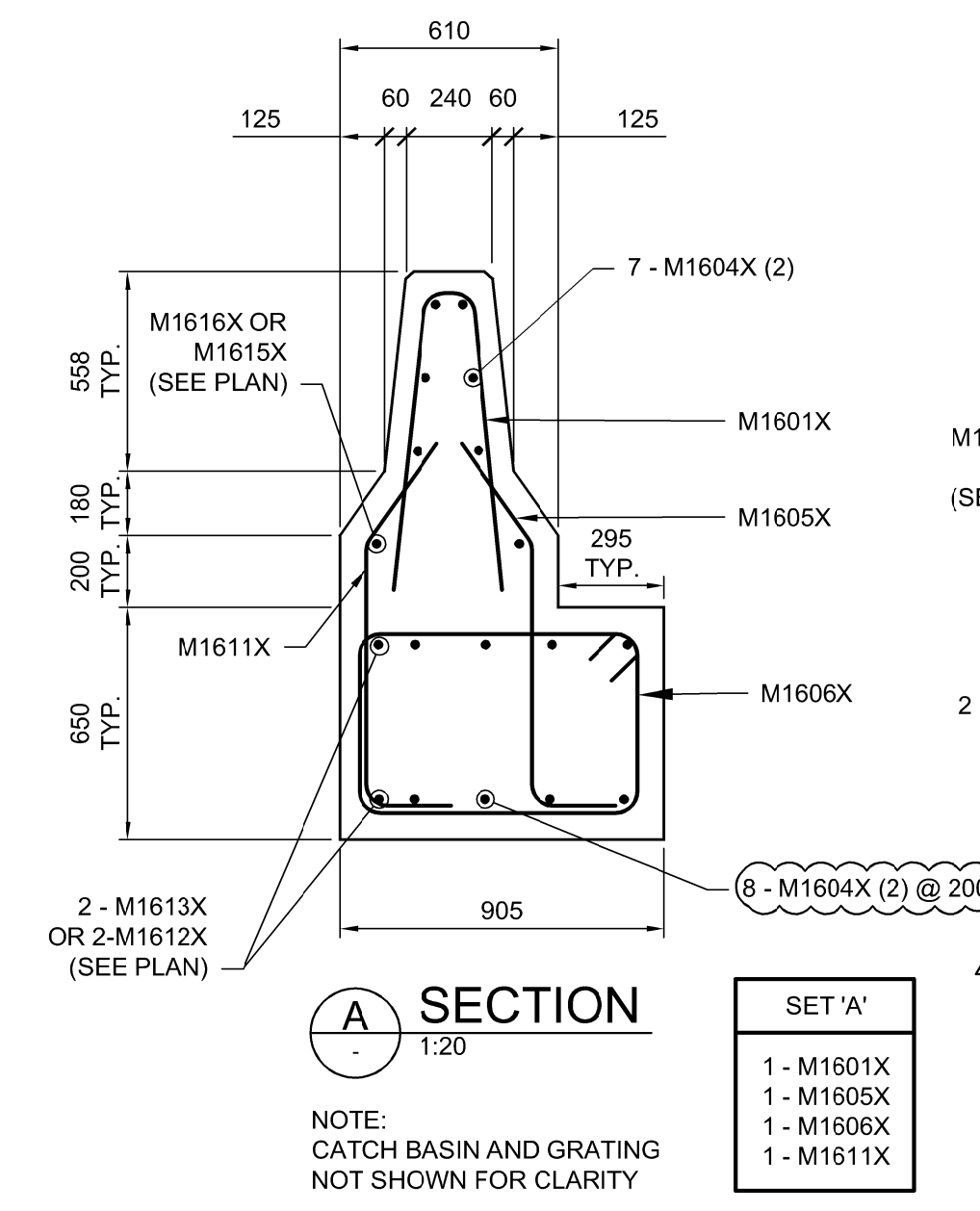
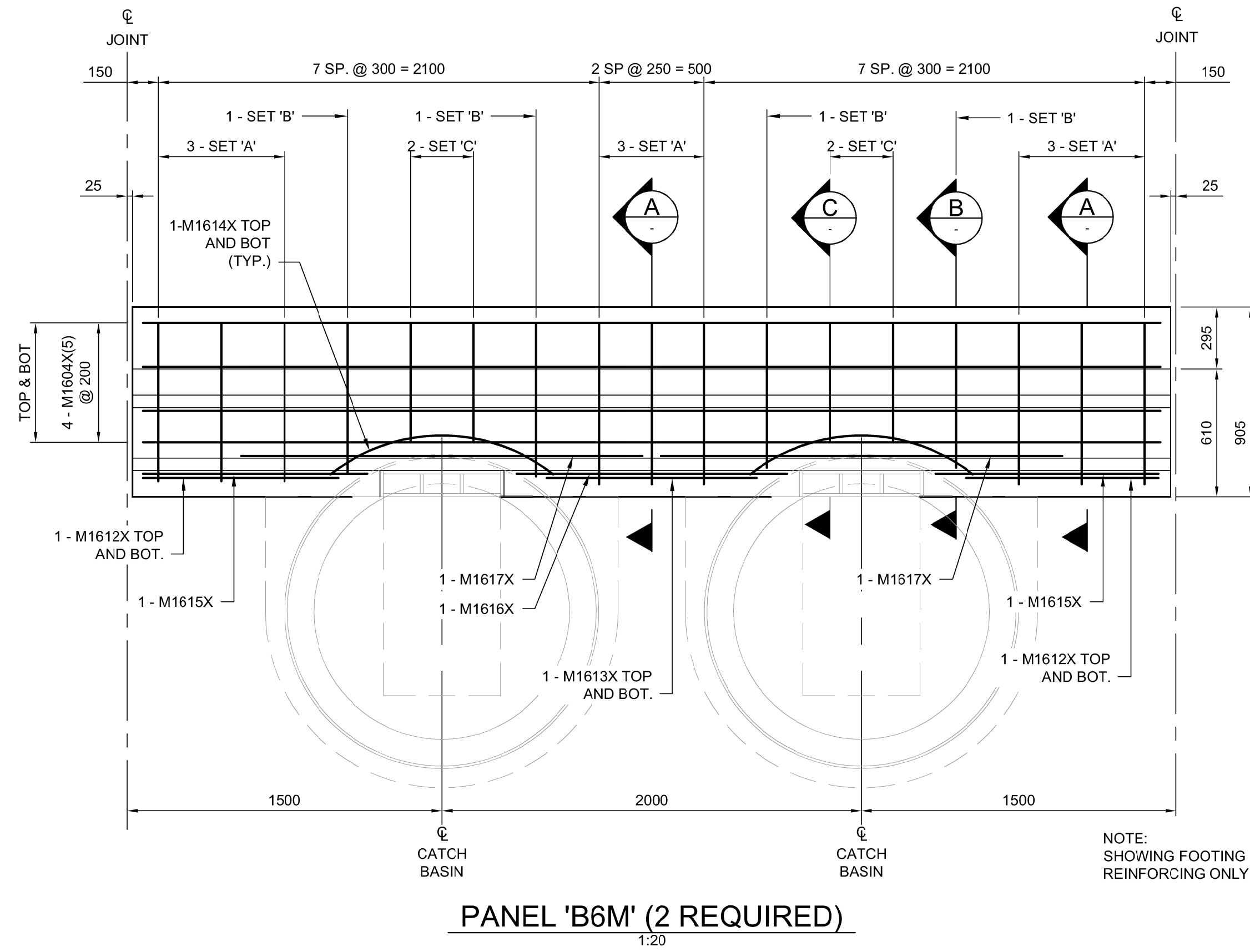
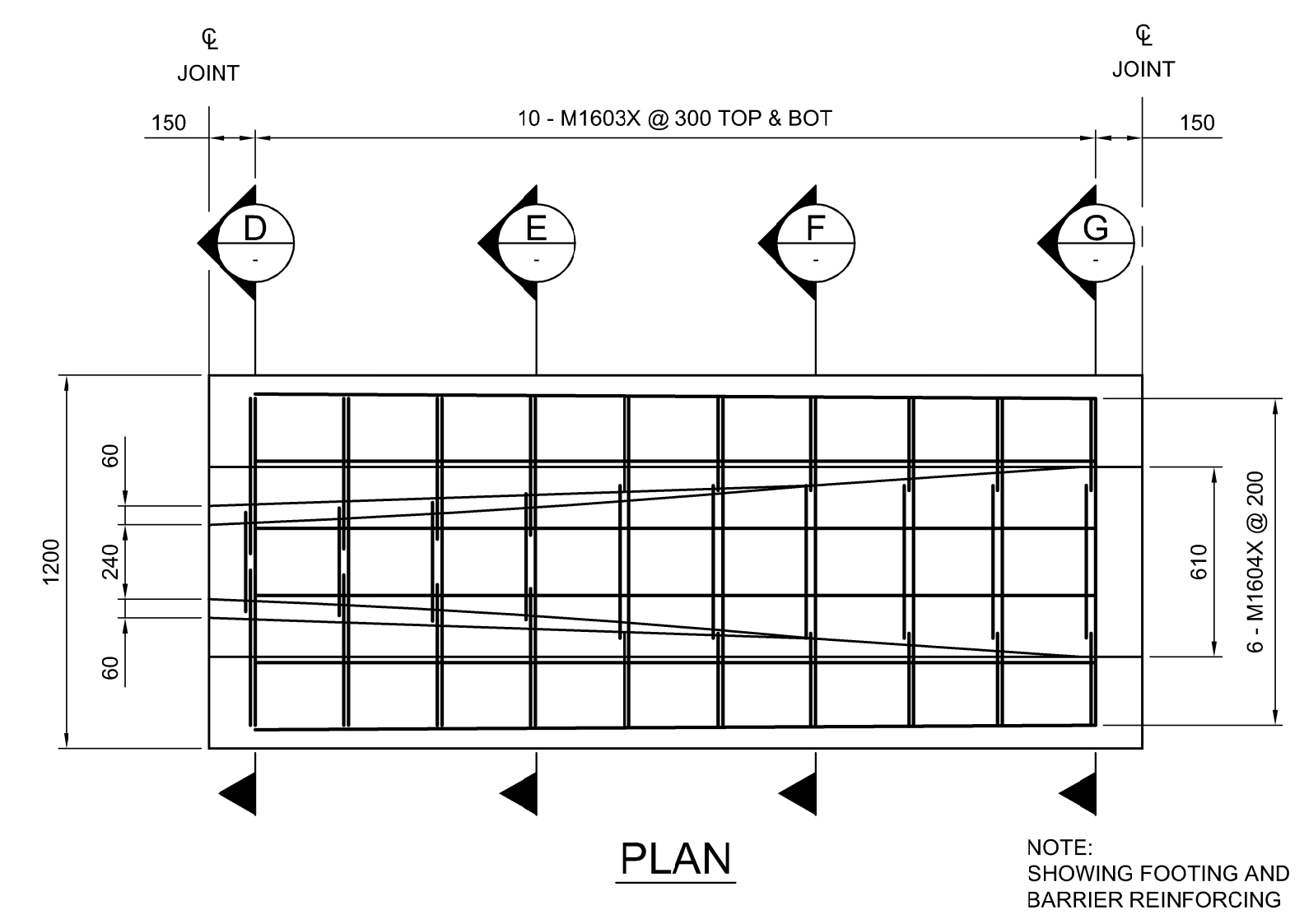


NOTES:
1. FOR STANDARD JOINT DETAILS, REFER TO SHEET CS-063.

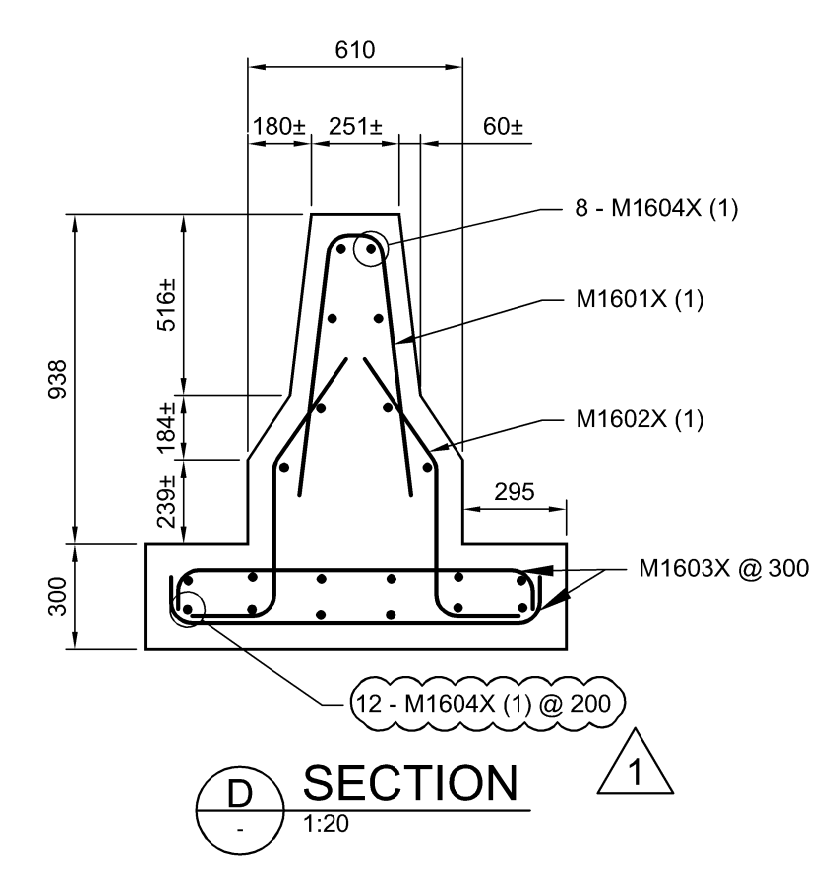


PANEL 'B6M' (2 REQUIRED)
1:20

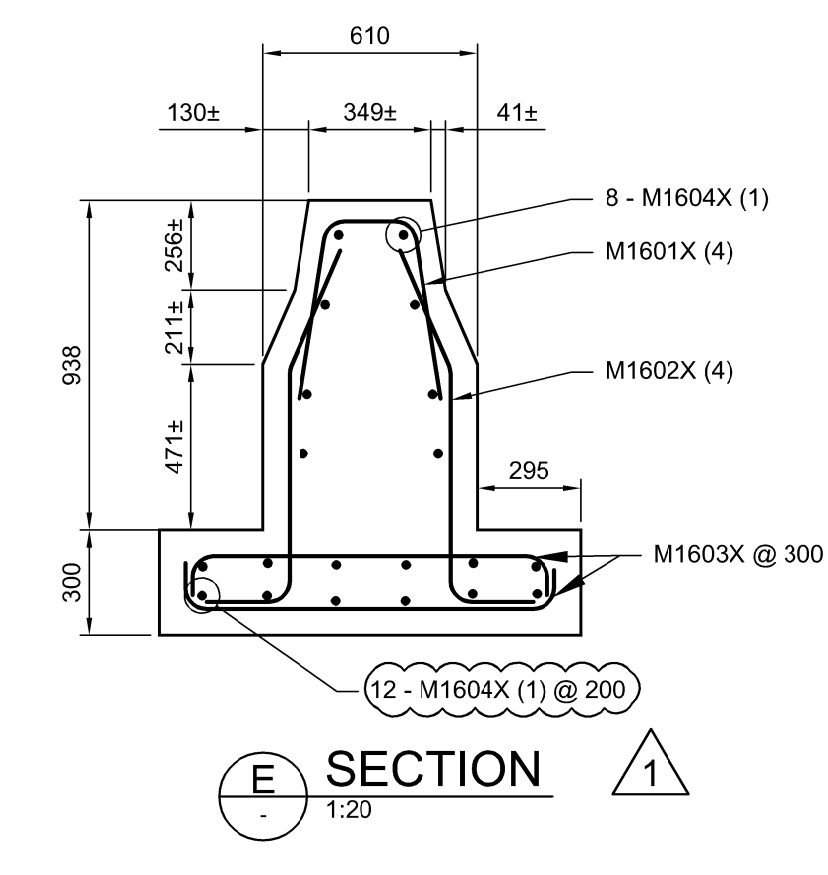


PLAN

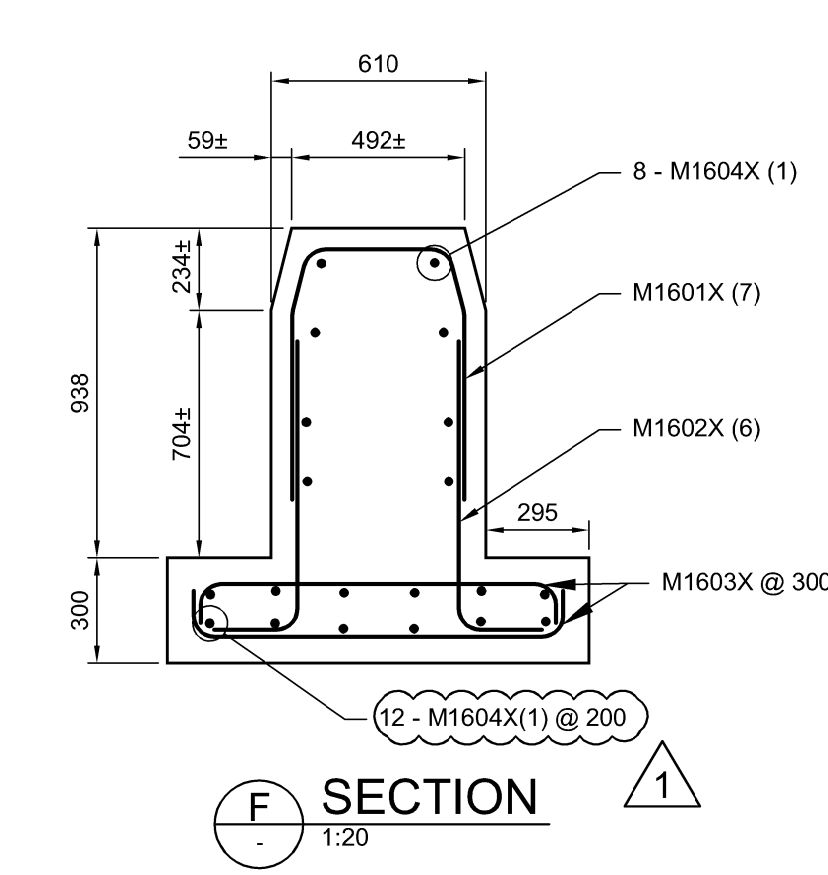
NOTE: SHOWING FOOTING AND BARRIER REINFORCING



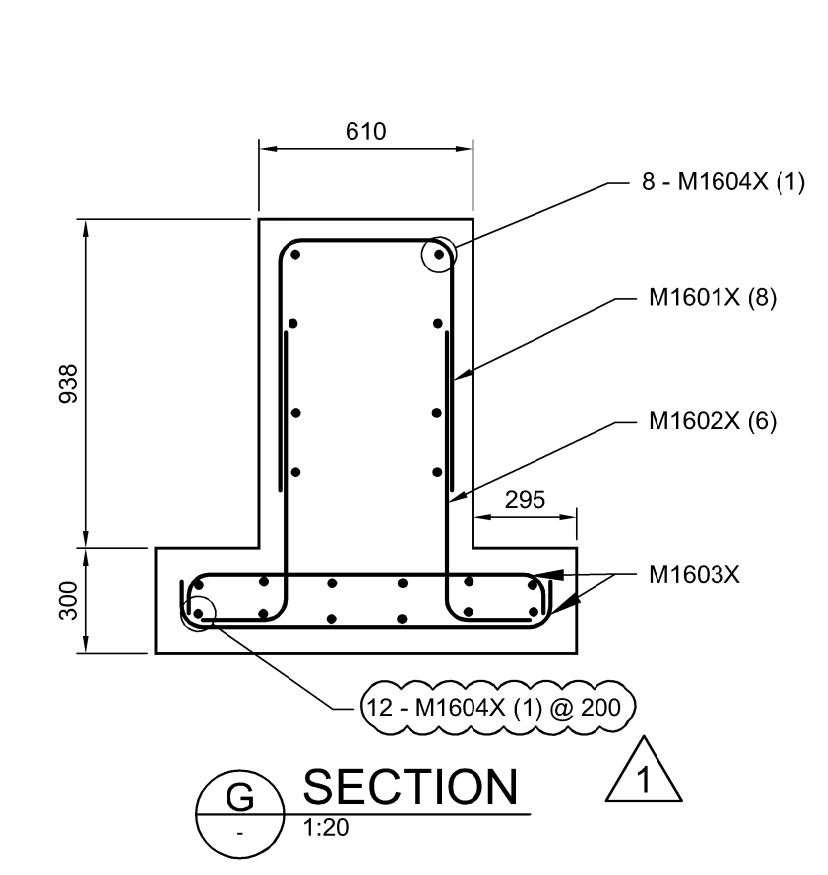
D SECTION
1:20



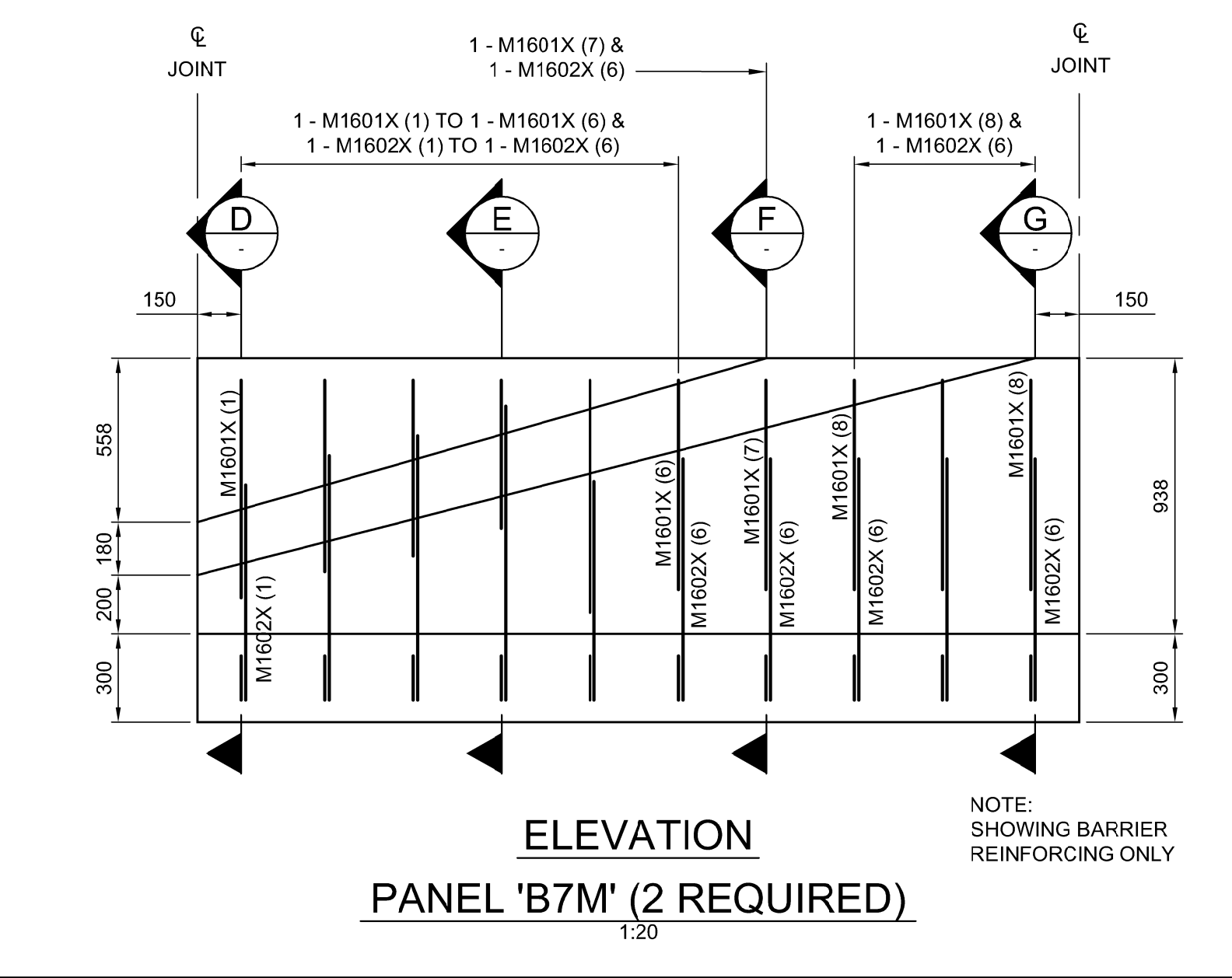
E SECTION
1:20



F SECTION
1:20



G SECTION
1:20



ELEVATION
PANEL 'B7M' (2 REQUIRED)
1:20

NOTE: SHOWING BARRIER REINFORCING ONLY



NO.	REVISIONS	DATE	BY	DATE
1	ADDENDUM #5	18/03/16	DRA	
0	ISSUED FOR TENDER	18/02/09	DRA	

DESIGNED BY	DRA	CHECKED BY	SSR
DRAWN BY	CGC	APPROVED BY	MBL
HOR. SCALE	AS SHOWN	RELEASED FOR CONSTRUCTION	
VERTICAL SCALE	AS SHOWN		
DATE	2018/02/09	DATE	

ENGINEER'S SEAL
PROVINCE OF MANITOBA
D.R.C. AMORIM
Member 33215
REGISTERED PROFESSIONAL ENGINEER
CONSULTANT PROJECT NUMBER
17-5932

THE CITY OF WINNIPEG
PUBLIC WORKS DEPARTMENT
Winnipeg
FERMOR AVENUE BRIDGE OVER SEINE RIVER
BRIDGE RE-HABILITATION, PEDESTRIAN-CYCLIST UNDERPASS STRUCTURE AND ROADWORKS FROM ST. ANNE'S ROAD TO ARCHIBALD STREET
ROADWAY MEDIAN BARRIER
DETAILS 2 OF 2
CITY DRAWING NUMBER
U-243-2017-CS-062
SHEET 062 OF 100
CONSULTANT DRAWING NUMBER
CS-062

G:\CAD\175932\Drawings\Structural\BRIDGE\CON-CS-ROADWAY MEDIAN BARRIER DETAILS 2.dwg