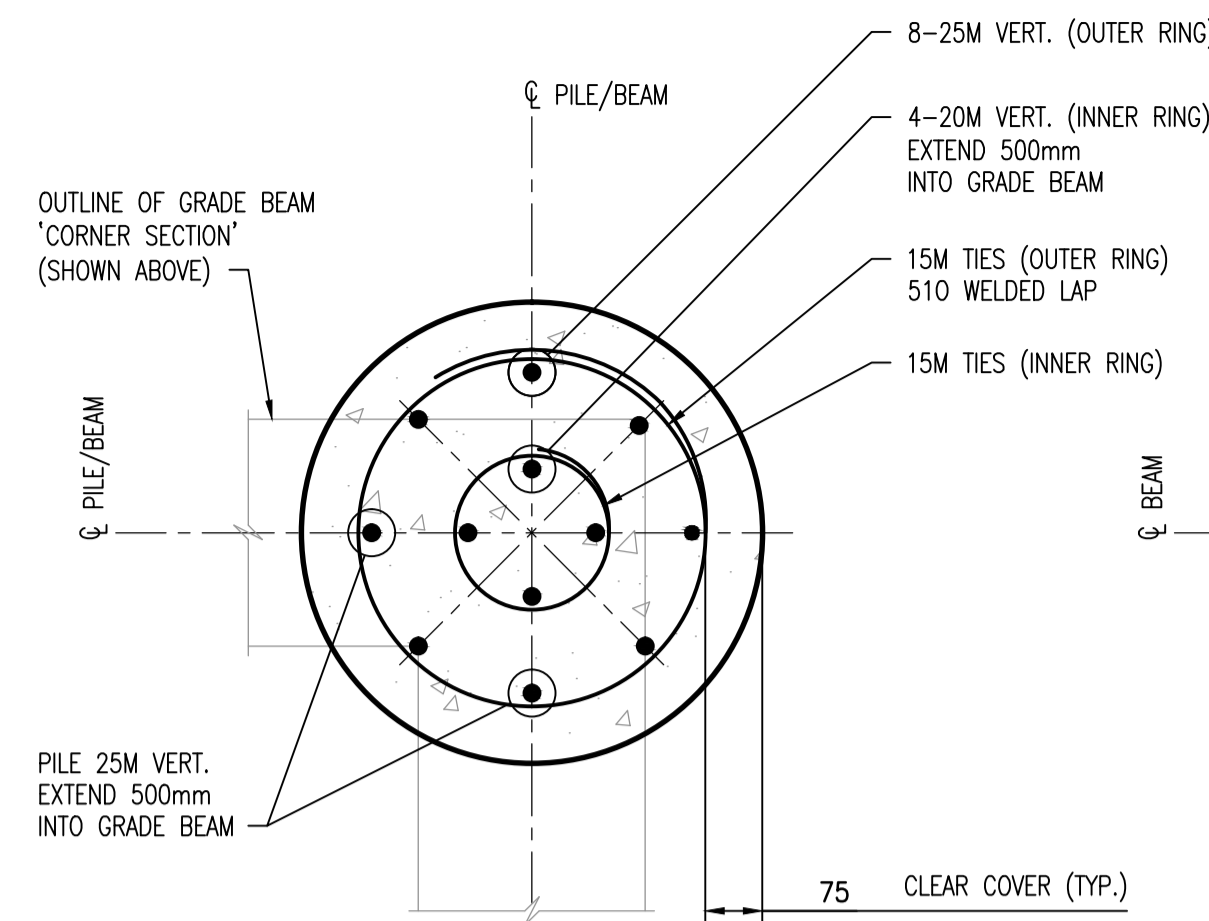
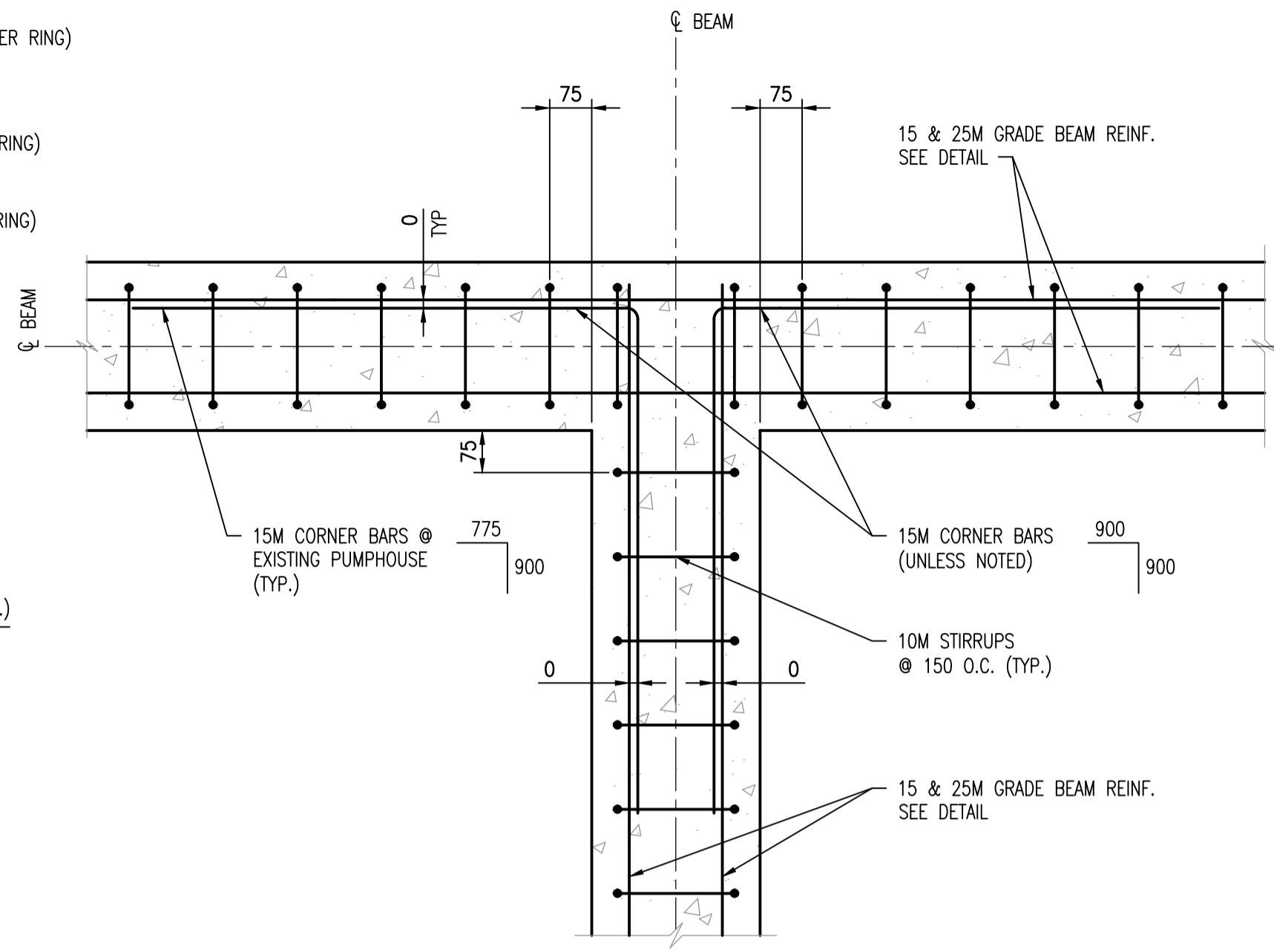


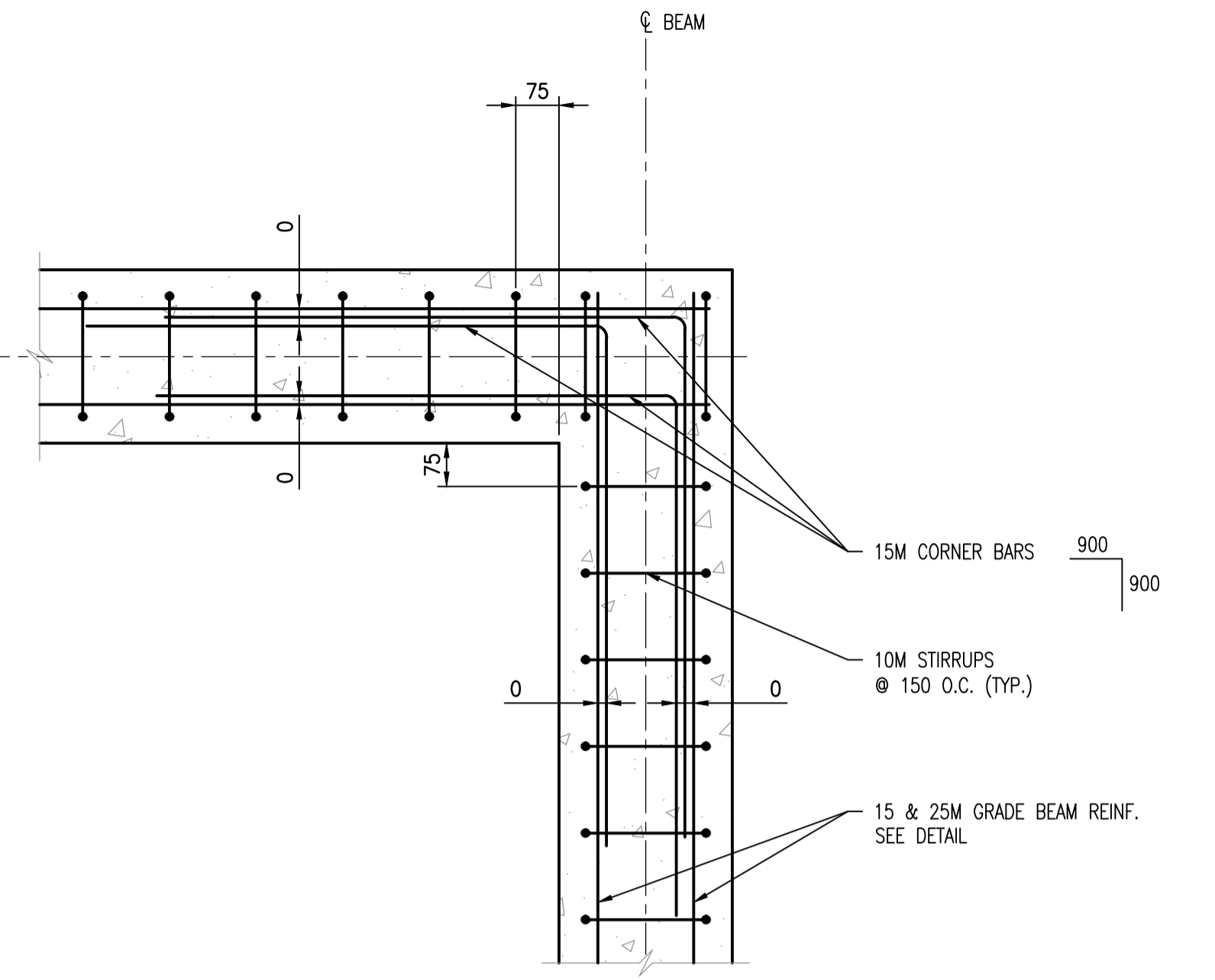
PLAN - 'TEE' SECTION  
1 : 10



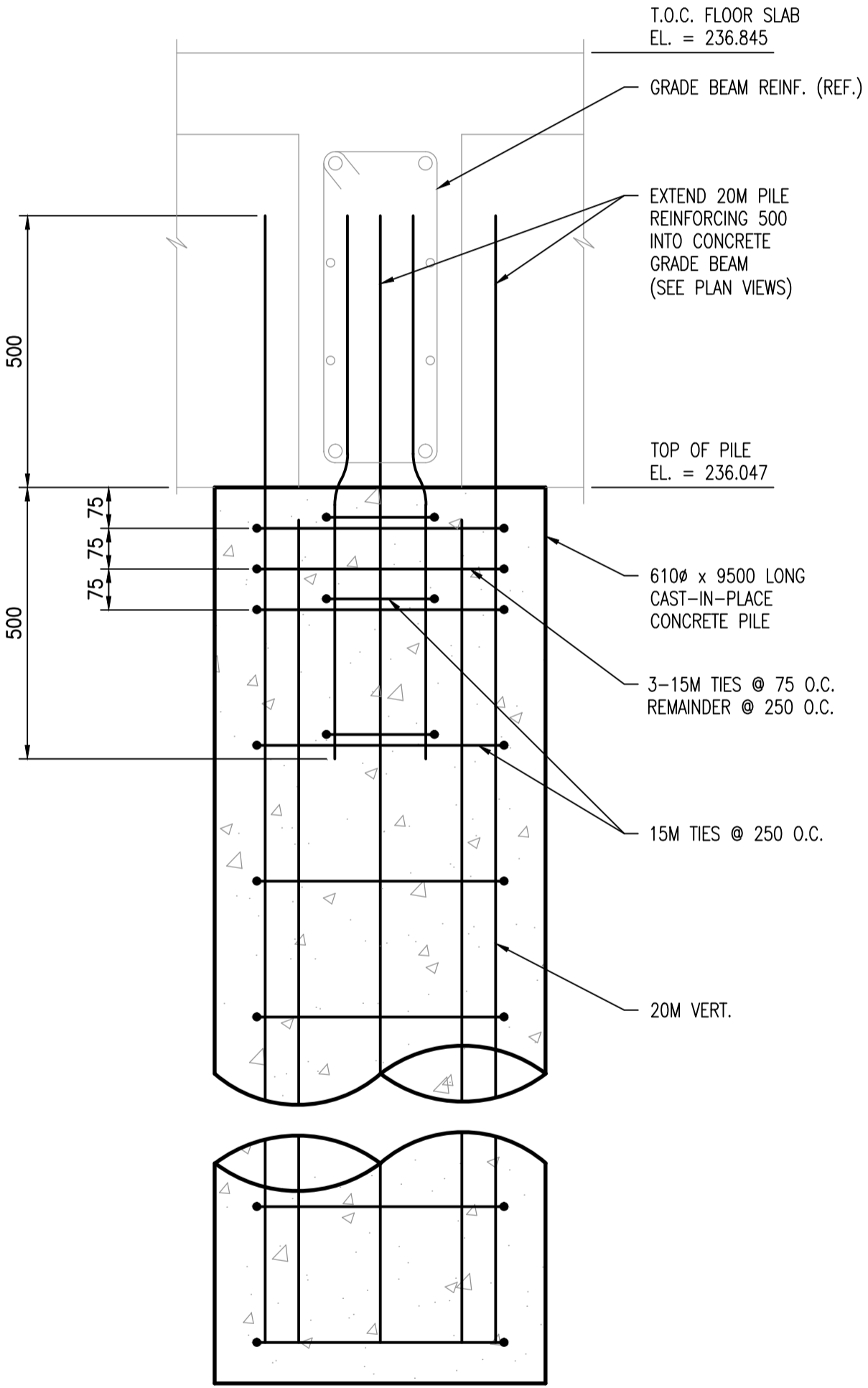
PLAN - 'CORNER' SECTION  
1 : 10



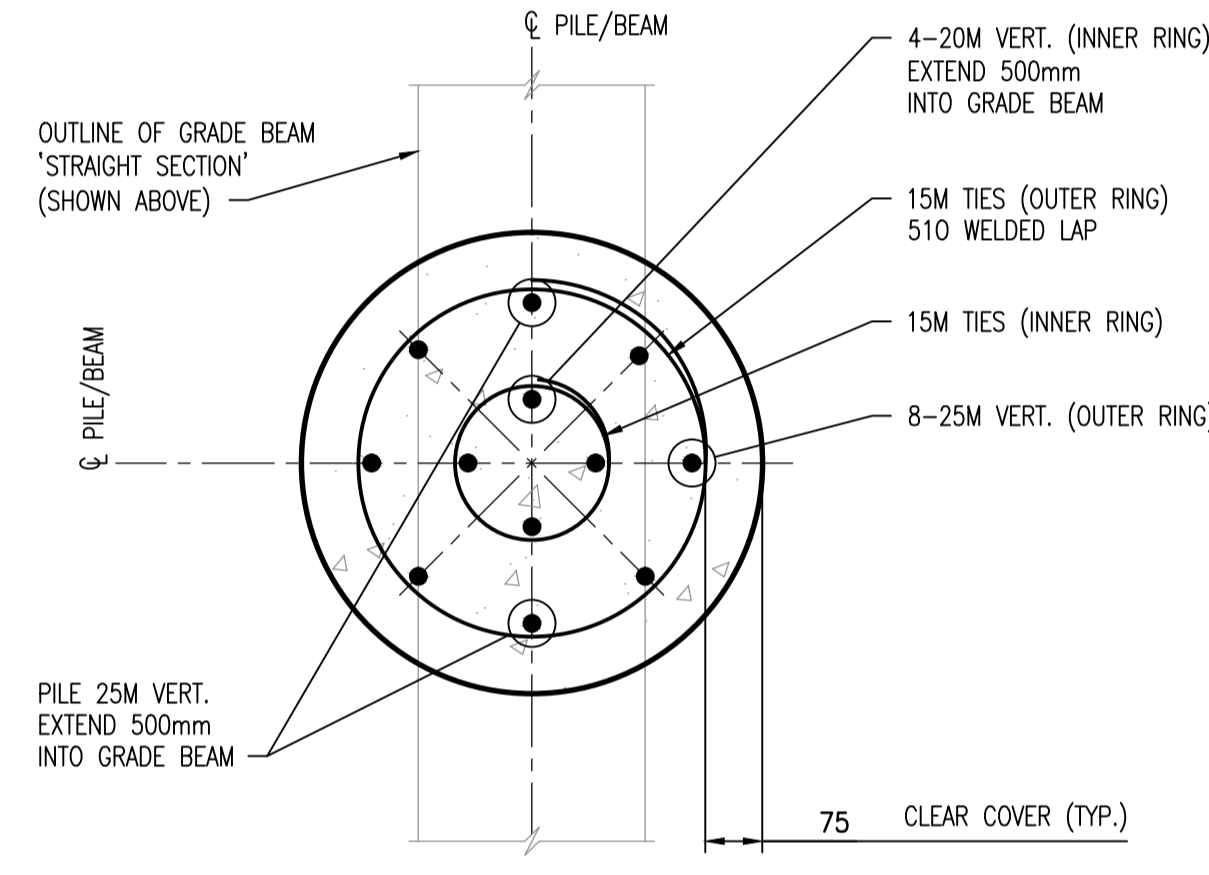
4 BEAM TEE REINF. DETAIL  
1 : 10



5 BEAM CORNER REINF. DETAIL  
1 : 10

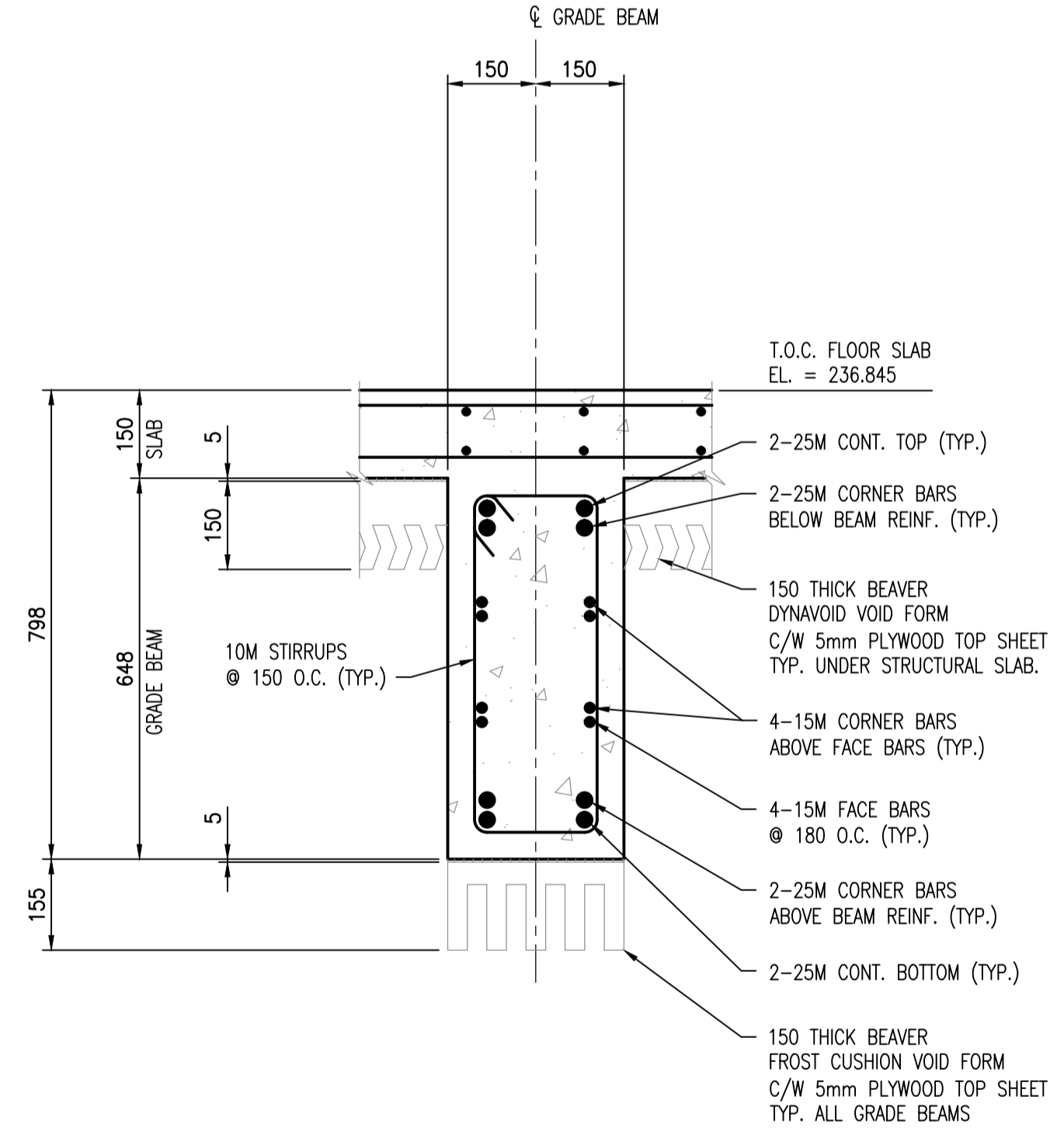


SECTION  
1 : 10

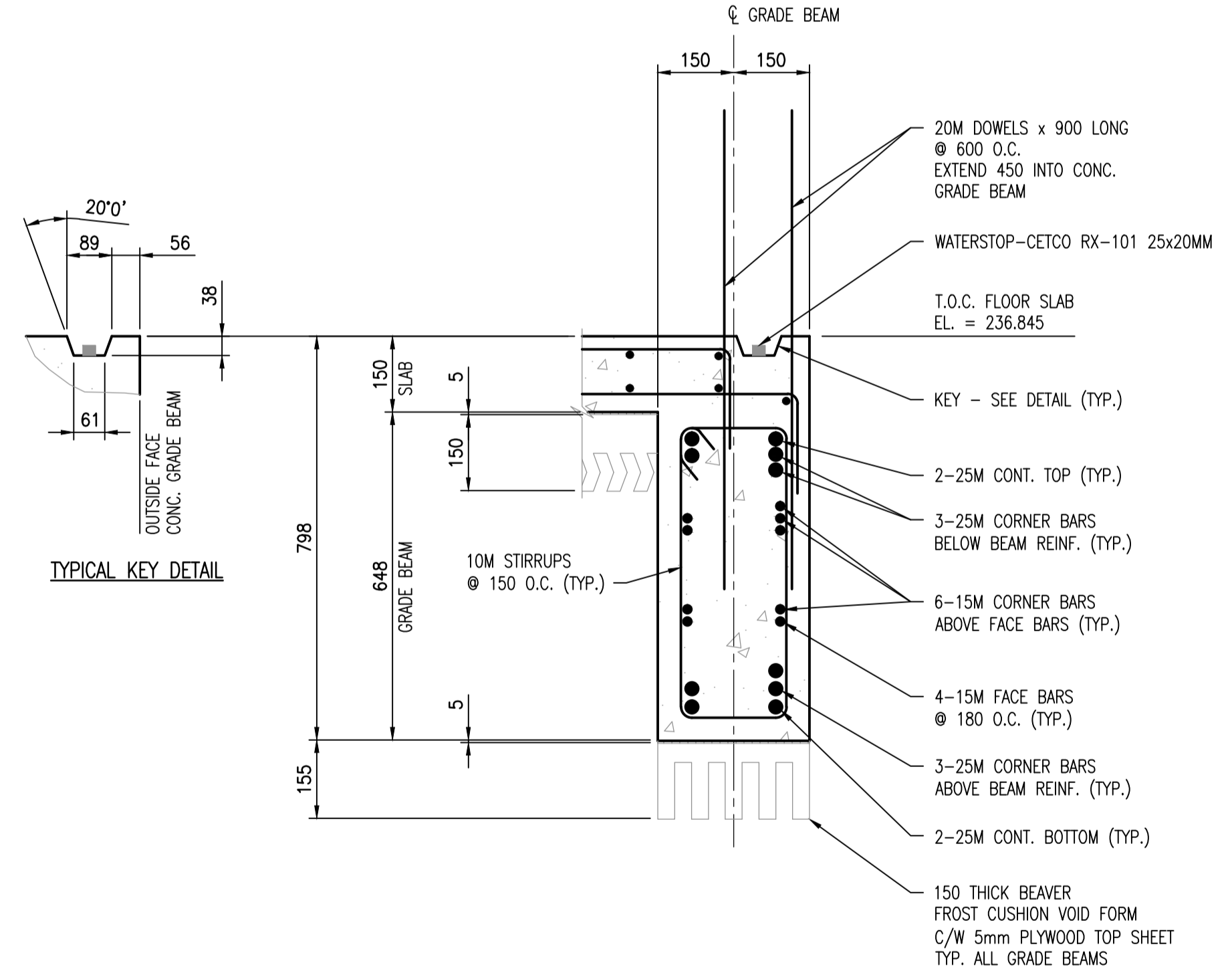


PLAN - 'STRAIGHT' SECTION  
1 : 10

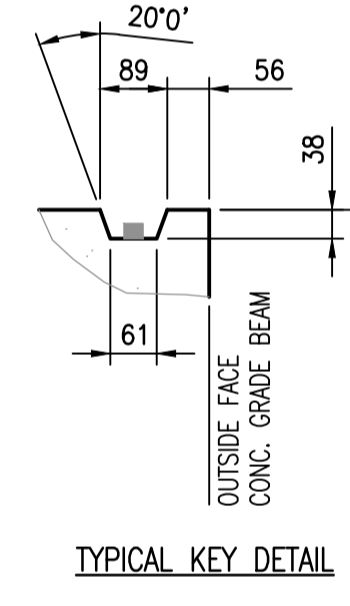
1 PILE DETAIL  
1 : 10



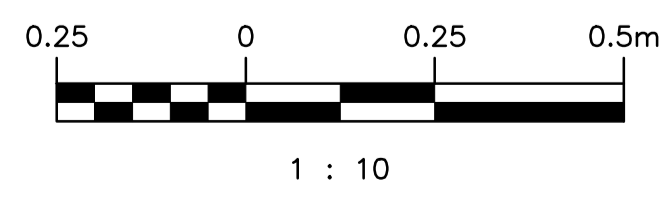
2 INTERIOR GRADE BEAM DETAIL  
1 : 10



3 EXTERIOR GRADE BEAM DETAIL  
1 : 10



TYPICAL KEY DETAIL



1 : 10



NO.	REVISIONS	DATE	DESIGN	CHECK
00	ISSUED FOR TENDER, BID OPP. 639-2017	2017-07-25	TD	BJC

		SNC-LAVALIN INC. 148 Nature Park Way Winnipeg, MB, Canada R3P 0X7 204-786-8080	
DESIGNED BY:	A. DEGER	CHECKED BY:	B. CLEVEN
DRAWN BY:	B. DICKSON	APPROVED BY:	B. CLEVEN
SCALE:	1 : 10	ISSUED FOR CONSTRUCTION	BY:
DATE:	2017-06-21	DATE:	
CONSULTANT NO.:			

ENGINEER'S SEAL  
**PRELIMINARY**  
NOT TO BE  
USED FOR  
CONSTRUCTION

THE CITY OF WINNIPEG WATER AND WASTE DEPARTMENT			
COMMUNITY ROW WASTEWATER PUMPING STATION 2017 UPGRADES BUILDING ADDITION FOUNDATION DETAILS			
CITY DRAWING NUMBER	SHEET	REV.	SIZE
1-0130L-S0005	001	00	A1

DRAWING NUMBER	REFERENCE DRAWINGS
1-0130L-S0007	PUMPING STATION UPGRADES - BUILDING ADDITION WALL - DETAILS
1-0130L-S0006	PUMPING STATION UPGRADES - BUILDING ADDITION WALL - PLAN & ELEVATIONS
1-0130L-S0004	PUMPING STATION UPGRADES - BUILDING ADDITION FOUNDATION - SECTIONS
1-0130L-S0003	PUMPING STATION UPGRADES - BUILDING ADDITION FOUNDATION - PLANS
1-0130L-S0002	PUMPING STATION UPGRADES - NOTES SHEET 2
1-0130L-S0001	PUMPING STATION UPGRADES - NOTES SHEET 1

PROJECT SPECIFIC