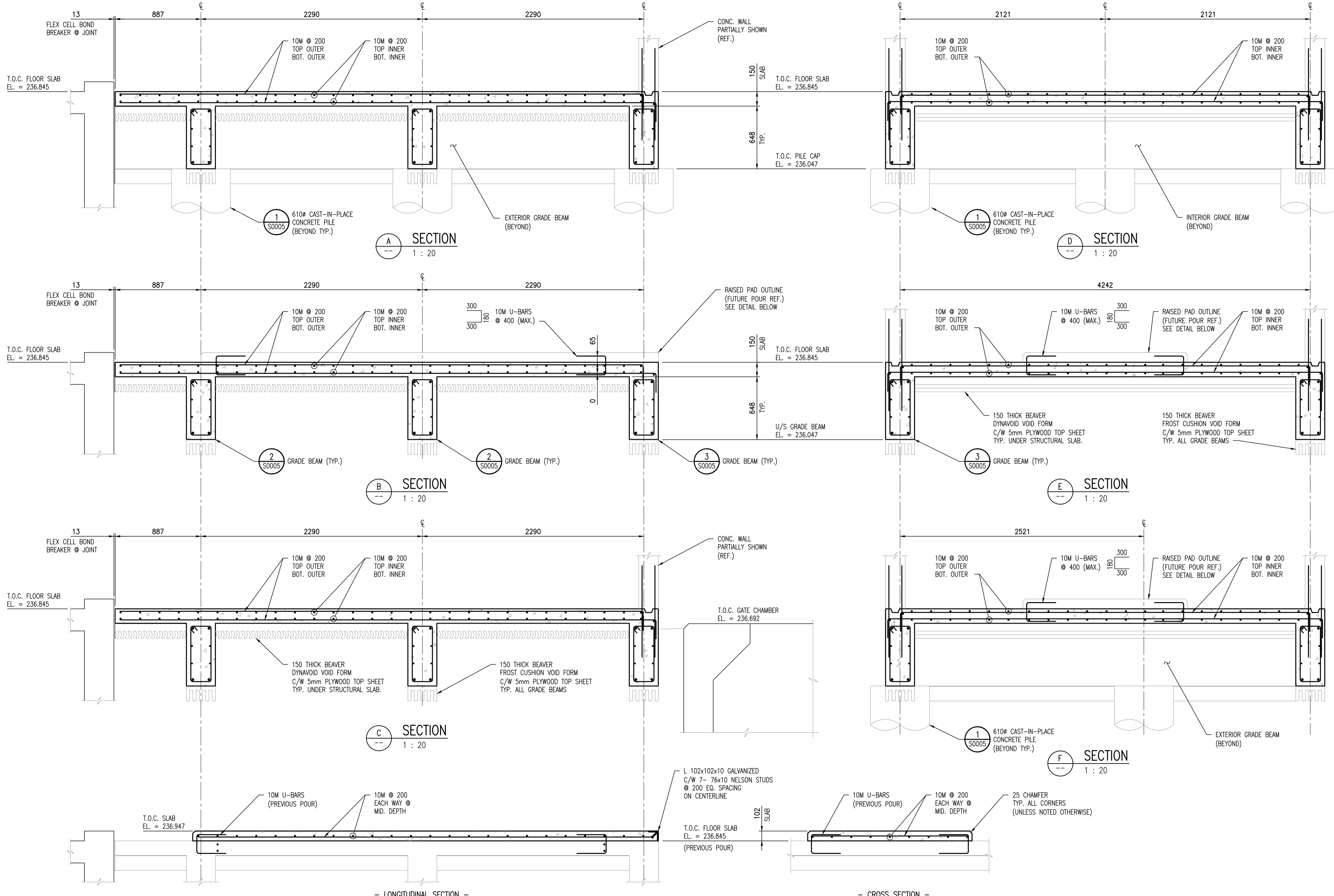


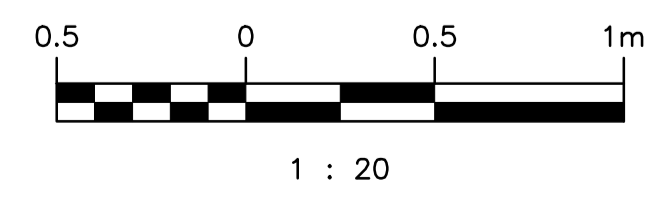
A1 SIZE - 594mm x 841mm

LAST SAVE: 2017/07/26 - 1:25pm
PATH: M:\44548\MENG\425TR\DD - General DWG\1-0130L-S0003.dwg



RAISED PAD DETAIL (FUTURE POUR)
1 : 20

SEE DRAWING 1-0103L-S0007 FOR ADDITIONAL DETAILS



DRAWING NUMBER	REFERENCE DRAWINGS
405	CHARLESWOOD INTERCEPTOR COMMUNITY ROW - GATE CHAMBER
401	CHARLESWOOD INTERCEPTOR SUPERSTRUCTURE DETAILS FOR PUMPING STATION
400B	CHARLESWOOD INTERCEPTOR PUMPING STATION AT COMMUNITY ROW & ROBLIN BLVD.
1-0130L-S0007	PUMPING STATION UPGRADES - BUILDING ADDITION WALL - DETAILS
1-0130L-S0006	PUMPING STATION UPGRADES - BUILDING ADDITION WALL - PLAN & ELEVATIONS
1-0130L-S0005	PUMPING STATION UPGRADES - BUILDING ADDITION FOUNDATION - DETAILS
1-0130L-S0003	PUMPING STATION UPGRADES - BUILDING ADDITION FOUNDATION - PLANS
1-0130L-S0002	PUMPING STATION UPGRADES - NOTES SHEET 2
1-0130L-S0001	PUMPING STATION UPGRADES - NOTES SHEET 1

PROJECT SPECIFIC

NO.	REVISIONS	DATE	DESIGN	CHECK
00	ISSUED FOR TENDER, BID OPP. 639-2017	2017-07-25	TD	BJC

SNC-LAVALIN INC.
148 Nature Park Way
Winnipeg, MB, Canada R3P 0X7
204-786-8080

DESIGNED BY: T. DEGER
DRAWN BY: B. DICKSON
SCALE: 1:20
DATE: 2017-06-23
CONSULTANT NO.:

CHECKED BY: B. CLEVEN
APPROVED BY: B. CLEVEN
ISSUED FOR CONSTRUCTION
DATE:

ENGINEER'S SEAL

PRELIMINARY
NOT TO BE
USED FOR
CONSTRUCTION

THE CITY OF WINNIPEG
WATER AND WASTE DEPARTMENT

COMMUNITY ROW WASTEWATER PUMPING STATION
2017 UPGRADES
BUILDING ADDITION FOUNDATION
SECTIONS

CITY DRAWING NUMBER: 1-0130L-S0004
SHEET: 001
REV: 00
SIZE: A1