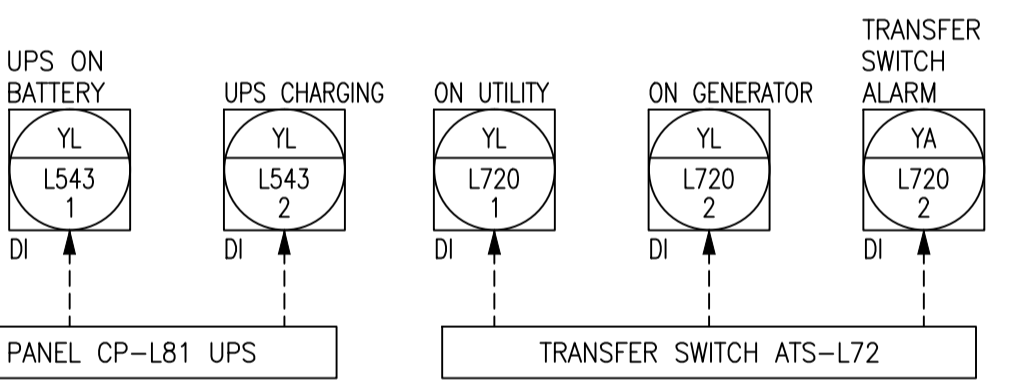
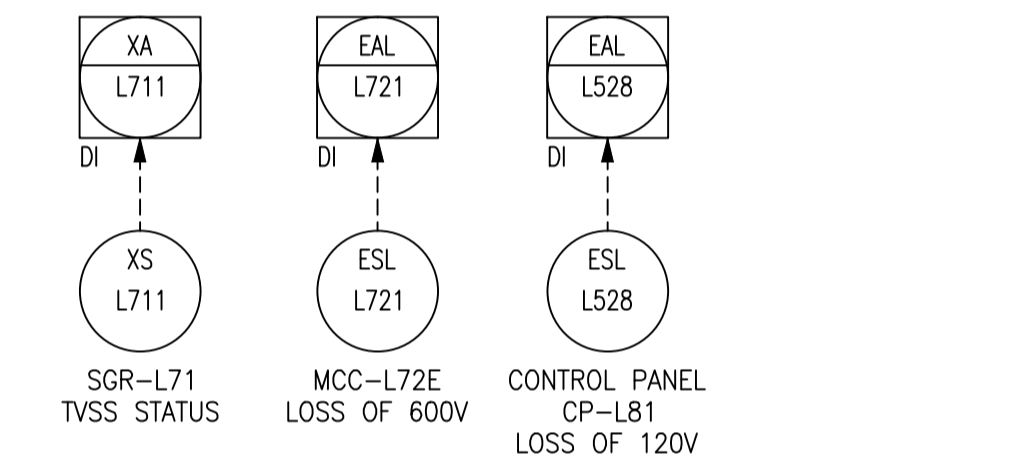
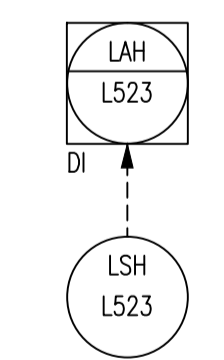


- LEGEND:**
- DEVICE DESCRIPTORS:**
- A AMBER
 - AI ANALOG INPUT
 - AO ANALOG OUTPUT
 - DI DISCRETE INPUT
 - DO DISCRETE OUTPUT
 - G GREEN
 - R RED
 - S/S START/STOP
 - HOA HAND/OFF/AUTO
- FUNCTIONAL IDENTIFIERS:**
- ES ELECTRIC SUPPLY
 - FV FLOW VALVE OR DAMPER
 - HS HAND SWITCH
 - IA CURRENT ALARM
 - PDSH PRESSURE DIFFERENTIAL SWITCH HIGH
 - TE TEMPERATURE ELEMENT
 - TIC TEMPERATURE INDICATING CONTROLLER
 - TSH TEMPERATURE SWITCH HIGH
 - TT TEMPERATURE TRANSMITTER
 - TV TEMPERATURE VALVE
 - UIC MULTI VARIABLE CONTROLLER
 - XV ON/OFF VALVE OR DAMPER
 - YL STATUS LIGHT
 - ZSO POSITION SWITCH OPEN
 - ZSC POSITION SWITCH CLOSE
 - I INTERLOCK



ELECTRICAL POWER SIGNALS



STATION FLOOD ALARM

NOTES

1. ALL INSTRUMENT IDENTIFIERS HAVE AN OPTIONAL FACILITY PREFIX OF "COM-".
 EXAMPLE: COM-HS-L600



DESIGNED BY: HARRY O. DRAWN BY: D. CALVERLEY SCALE: NTS DATE: 2017/04/03 CONSULTANT NO.:		CHECKED BY: B. CLEVEN APPROVED BY: B. CLEVEN ISSUED FOR CONSTRUCTION BY: DATE:	
00	ISSUED FOR TENDER, BID OPP. 639-2017	2017-07-25	TMC BJC
NO.	REVISIONS	DATE	DESIGN/CHECK

ENGINEER'S SEAL

PRELIMINARY
 NOT TO BE USED FOR CONSTRUCTION

THE CITY OF WINNIPEG
 WATER AND WASTE DEPARTMENT

COMMUNITY ROW WASTEWATER PUMPING STATION
 2017 UPGRADES
 PROCESS & INSTRUMENTATION DIAGRAM
 HVAC & MISCELLANEOUS

CITY DRAWING NUMBER: 1-0130L-P0002
 SHEET: 001
 REV: 00
 SIZE: A1