

LEGEND:

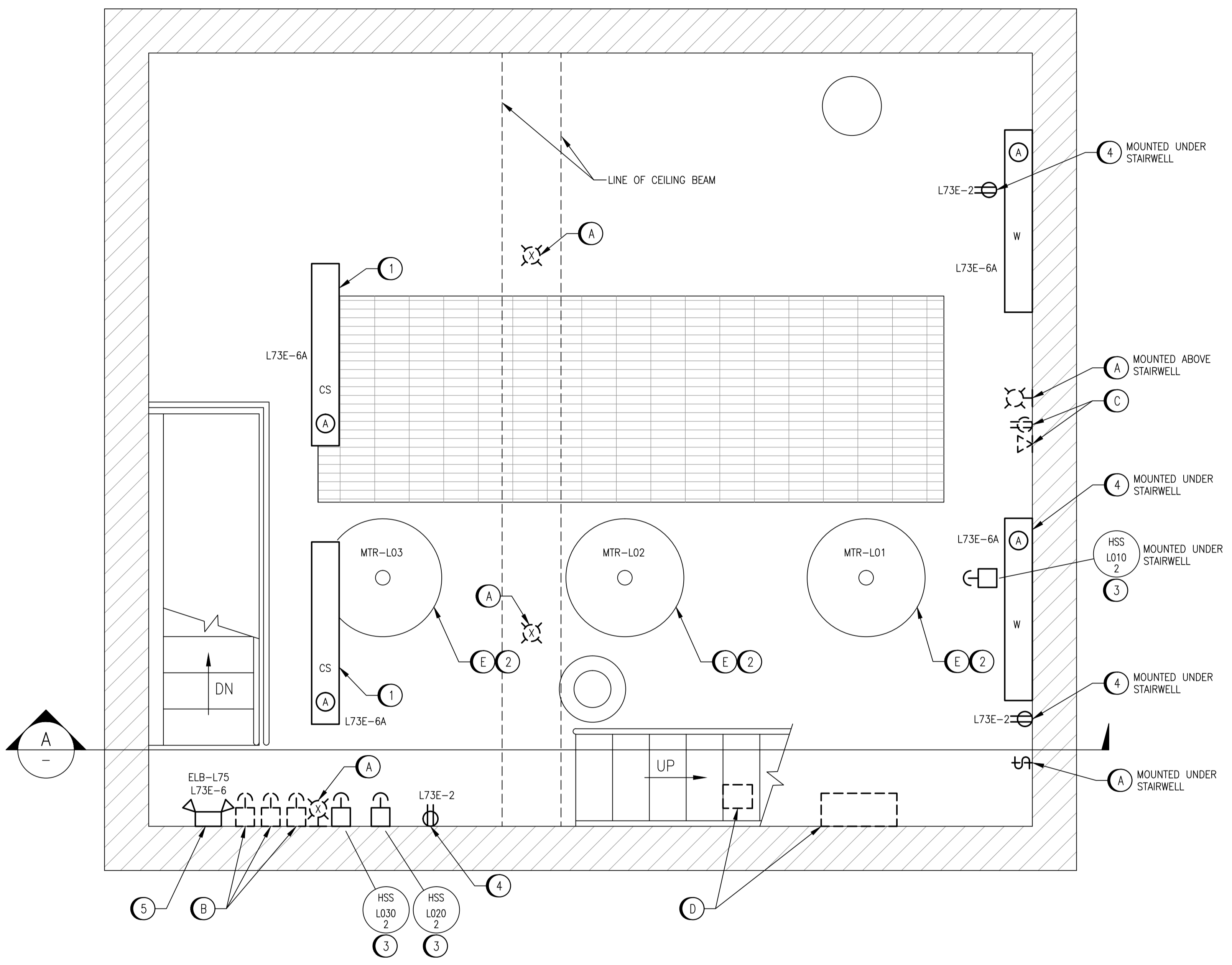
- EXISTING
- NEW WORK
- (CO) CARBON MONOXIDE DETECTOR
- ← EMERGENCY LIGHTING BATTERY BANK
- ELB-L75 ← BATTERY BANK IDENTIFIER
- L73E-6 ← PANELBOARD CIRCUIT
- ← EMERGENCY LIGHTING REMOTE FIXTURE
- ELB-L75 ← SOURCE BATTERY BANK

DEMOLITION NOTES:

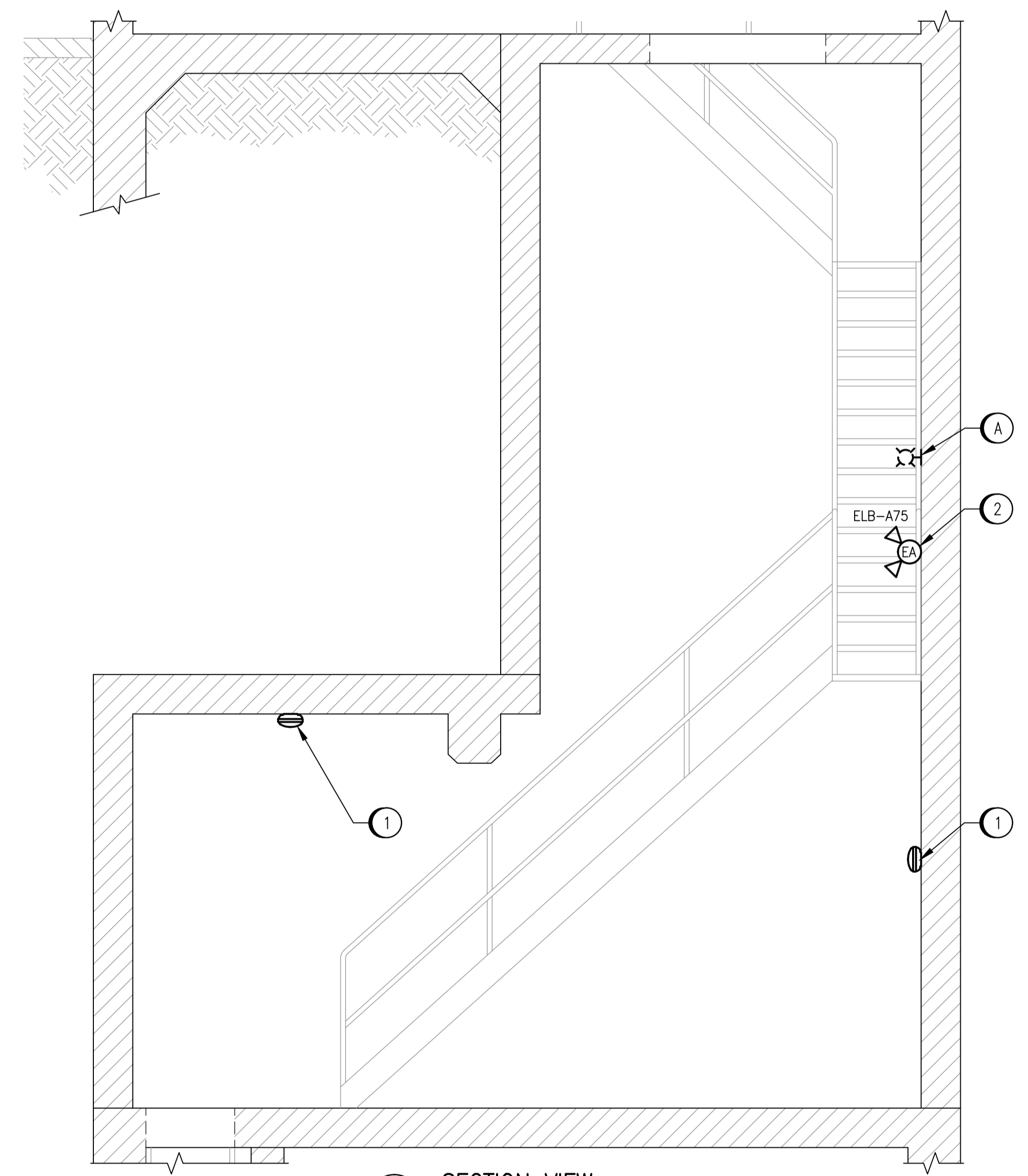
- (A) DEMOLISH EXISTING LIGHT FIXTURES AND ASSOCIATED CABLING, CONDUIT, AND CONTROLS.
- (B) DEMOLISH EXISTING EMERGENCY STOP PUSHBUTTONS AND ASSOCIATED JUNCTION BOX, CONDUIT, AND WIRING.
- (C) DEMOLISH EXISTING RECEPTACLE AND TELEPHONE AND ASSOCIATED CONDUIT AND WIRING.
- (D) DEMOLISH EXISTING MECHANICAL/ELECTRICAL EQUIPMENT AND ALL ASSOCIATED MOUNTING HARDWARE, CONDUIT AND WIRING.
- (E) DEMOLISH EXISTING PUMP MOTORS.

CONSTRUCTION NOTES:

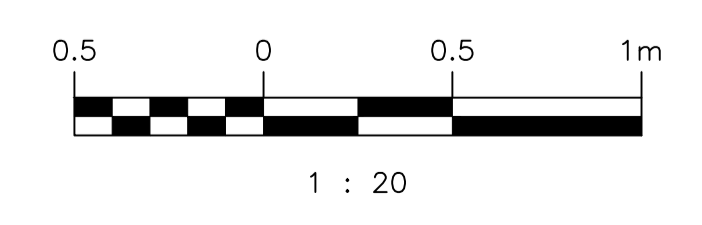
- (1) PROVIDE AND INSTALL NEW FLUORESCENT LUMINAIRE.
- (2) INSTALL NEW 125HP PUMP MOTORS (SUPPLIED BY OTHERS). UTILIZE SCAFFOLDING FOR ROUTING OF MOTOR FEEDER CABLES.
- (3) PROVIDE AND INSTALL NEW EMERGENCY STOP PUSHBUTTON STATION.
- (4) PROVIDE AND INSTALL NEW DUPLEX RECEPTACLES AS SHOWN.
- (5) PROVIDE AND INSTALL NEW EMERGENCY LIGHTING BATTERY BANK WITH THE BOTTOM OF THE ENCLOSURE NOT LESS THAN 2.0m ABOVE THE FINISHED FLOOR.
- (6) PROVIDE AND INSTALL NEW EMERGENCY LIGHTING REMOTE FIXTURE WITH THE BOTTOM OF THE FIXTURE NOT LESS THAN 2.0M ABOVE THE FINISHED FLOOR.



MOTOR ROOM FLOOR PLAN
SCALE: 1 : 20



A SECTION VIEW
SCALE: 1 : 30



NO.	REVISIONS	DATE	DESIGN	CHECK
00	ISSUED FOR TENDER, BID OPP. 639-2017	2017-07-25	BJC	TMC

<p>SNC-LAVALIN INC. 148 Nature Park Way Winnipeg, MB, Canada R3P 0X7 204-786-8080</p>	
DESIGNED BY: B. CLEVEN	CHECKED BY: T. CHURCH
DRAWN BY: Y. KONIG	APPROVED BY: B. CLEVEN
SCALE: AS SHOWN	ISSUED FOR CONSTRUCTION BY: DATE:
DATE: 2017/01/31	DATE:
CONSULTANT NO.:	

ENGINEER'S SEAL
PRELIMINARY
NOT TO BE
USED FOR
CONSTRUCTION

THE CITY OF WINNIPEG
WATER AND WASTE DEPARTMENT

COMMUNITY ROW WASTEWATER PUMPING STATION
2017 UPGRADES
ELECTRICAL AND LIGHTING PLAN LAYOUT
MOTOR ROOM
DEMOLITION AND NEW WORK

CITY DRAWING NUMBER 1-0130L-E0005	SHEET 001	REV. 00	SIZE A1
---	---------------------	-------------------	-------------------

DRAWING NUMBER	REFERENCE DRAWINGS
----------------	--------------------