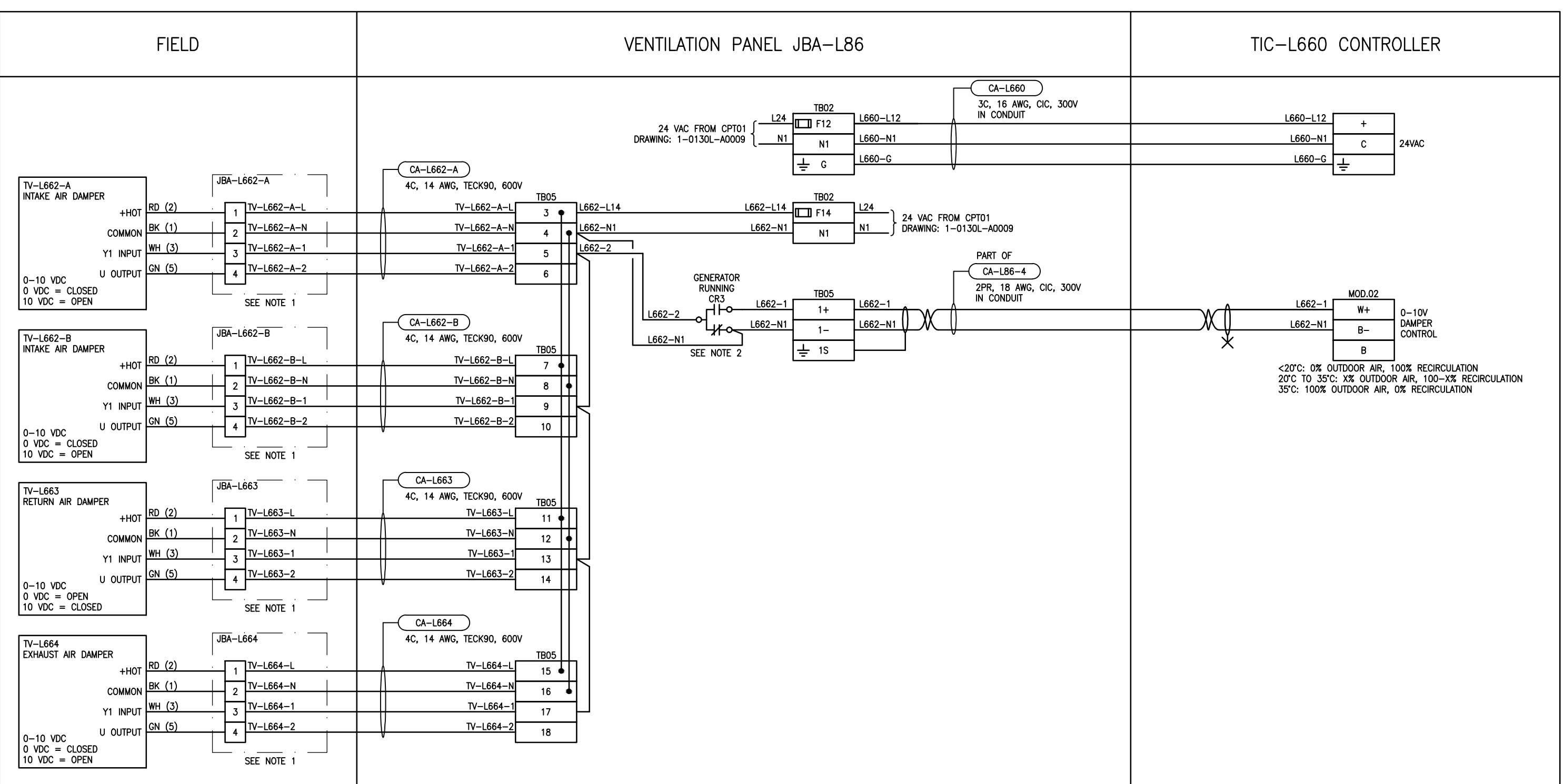


LAST SAVE: 2017/07/26 - 2:27pm
 PATH: M:\644548\4ENG\48C\DD - General DWG\1-0130L-A0030-001-00.dwg
 B SIZE - 279mm x 432mm



NOTES

- PROVIDE AND INSTALL NEW NEMA TYPE 4 JUNCTION BOX, COMPLETE WITH TERMINALS AND IDENTIFICATION LAMACOID.
- SEE DRAWING L-0130L-A0025 FOR CR3 COIL CONNECTIONS.

SNC-Lavalin Inc.
No. 4489

		SNC-LAVALIN INC. 148 Nature Park Way Winnipeg, MB, Canada R3P 0X7 204-786-8080	
		DESIGNED BY: T. CHURCH	CHECKED BY: B. CLEVEN
		DRAWN BY: Y. KONIG	APPROVED BY: B. CLEVEN
		SCALE: NTS	DATE: 2017/05/31
		ISSUED FOR CONSTRUCTION DATE:	
		BY:	
		CONSULTANT NO.:	
00	ISSUED FOR TENDER, BID OPP. 639-2017	2017-07-25	TMC BJC
NO.	REVISIONS	DATE	DESIGN CHECK

ENGINEER'S SEAL

PRELIMINARY

NOT TO BE USED FOR CONSTRUCTION

THE CITY OF WINNIPEG
WATER AND WASTE DEPARTMENT

COMMUNITY ROW WASTEWATER PUMPING STATION
 2017 UPGRADES
 LOOP DIAGRAM
 GENERATOR COOLING DAMPERS
 TV-L662-A, TV-L662-B, TV-L663, TV-L664

CITY DRAWING NUMBER	SHEET	REV.	SIZE
1-0130L-A0030	001	00	B