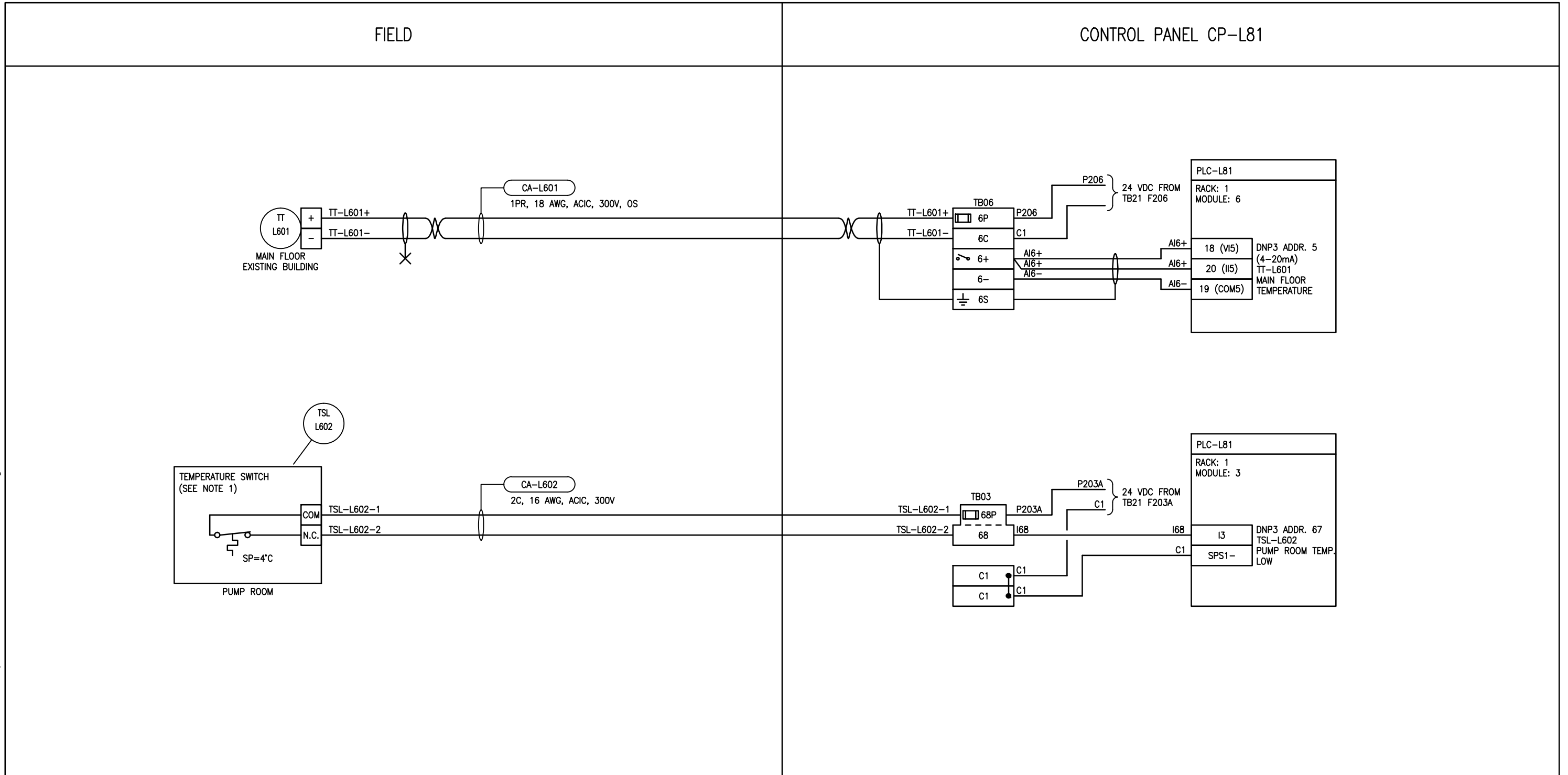


B SIZE - 279mm x 432mm

General DWG\1-0130L-A0029-001-00.dwg

LAST SAVE: 2017/07/26 - 2:27pm  
 PATH: M:\644548\4ENG\48C\DD -



**NOTES**

- TEMPERATURE SWITCH CONTACT TO BE OPEN WHEN TEMPERATURE IS ABOVE SETPOINT AND CLOSED WHEN TEMPERATURE IS BELOW SETPOINT.



**SNC-LAVALIN INC.**  
 148 Nature Park Way  
 Winnipeg, MB, Canada R3P 0X7  
 204-786-8080

ENGINEER'S SEAL

**PRELIMINARY**  
 NOT TO BE  
 USED FOR  
 CONSTRUCTION



**THE CITY OF WINNIPEG**

WATER AND WASTE DEPARTMENT

COMMUNITY ROW WASTEWATER PUMPING STATION  
 2017 UPGRADES  
 LOOP DIAGRAM  
 MAIN FLOOR TEMP., PUMP ROOM LOW TEMP. SWITCH  
 TT-L601, TSL-L602

NO.	REVISIONS	DATE	DESIGN	CHECK
00	ISSUED FOR TENDER, BID OPP. 639-2017	2017-07-25	TMC	BJC

DESIGNED BY: T. CHURCH	CHECKED BY: B. CLEVEN
DRAWN BY: Y. KONIG	APPROVED BY: B. CLEVEN
SCALE: NTS	DATE: 2017/02/01
ISSUED FOR CONSTRUCTION DATE:	
BY:	
CONSULTANT NO.:	

CITY DRAWING NUMBER 1-0130L-A0029	SHEET 001	REV. 00	SIZE B
--------------------------------------	--------------	------------	-----------