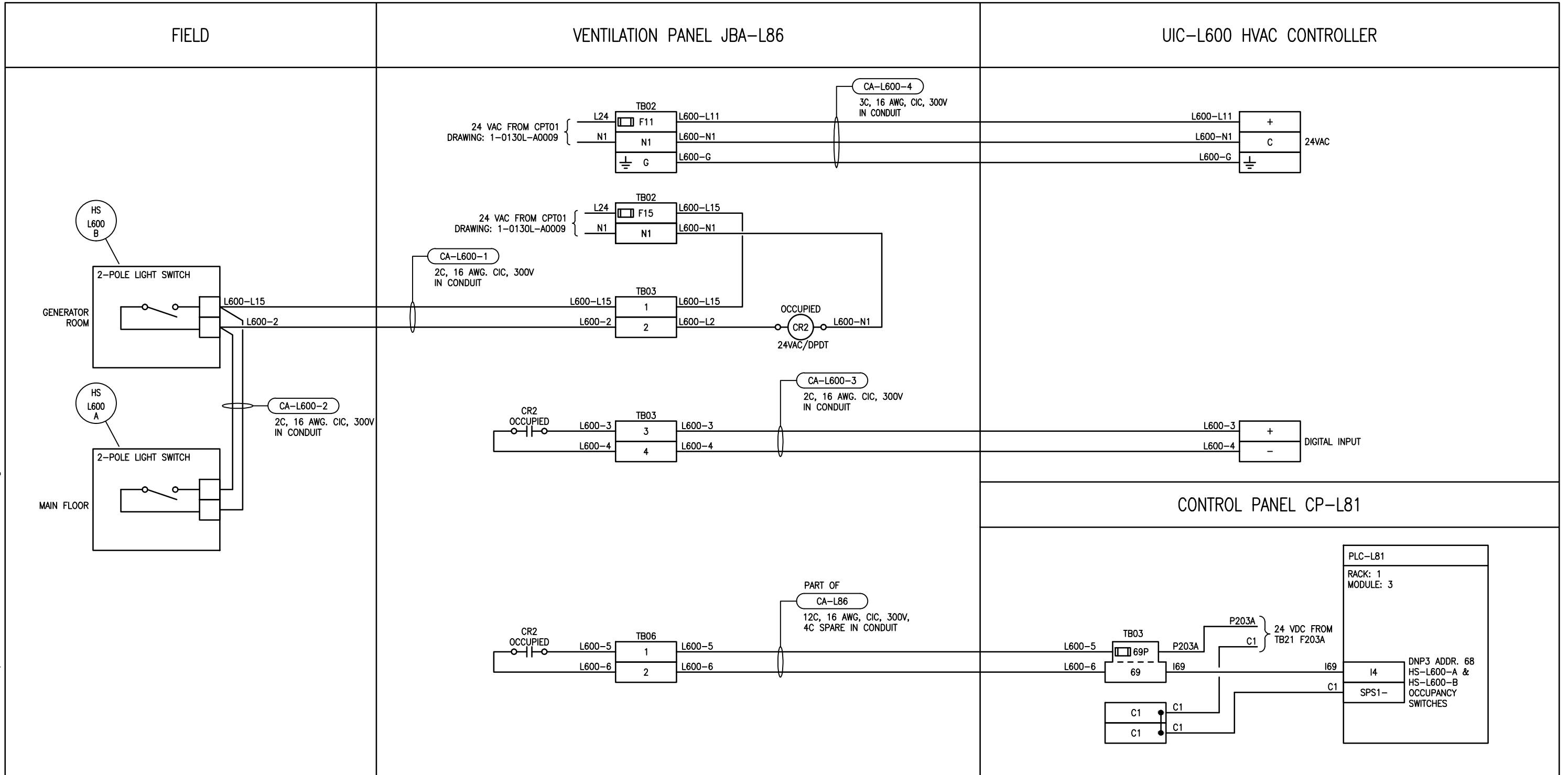


B SIZE - 279mm x 432mm

LAST SAVE: 2017/07/26 - 2:26pm
 PATH: M:\644548\4ENG\48C\DD - General DWG\1-0130L-A0026-001-00.dwg



SNC-LAVALIN
 SNC-LAVALIN INC.
 148 Nature Park Way
 Winnipeg, MB, Canada R3P 0X7
 204-786-8080

NO.	REVISIONS	DATE	DESIGN	CHECK
00	ISSUED FOR TENDER, BID OPP. 639-2017	2017-07-25	TMC	BJC

DESIGNED BY: T. CHURCH
 CHECKED BY: B. CLEVEN
 DRAWN BY: Y. KONIG
 APPROVED BY: B. CLEVEN
 SCALE: NTS
 DATE: 2017/02/01
 ISSUED FOR CONSTRUCTION
 BY: DATE:
 CONSULTANT NO.:

ENGINEER'S SEAL
PRELIMINARY
 NOT TO BE
 USED FOR
 CONSTRUCTION

THE CITY OF WINNIPEG
 WATER AND WASTE DEPARTMENT

COMMUNITY ROW WASTEWATER PUMPING STATION
 2017 UPGRADES
 LOOP DIAGRAM
 OCCUPANCY SWITCHES
 HS-L600-A, HS-L600-B

CITY DRAWING NUMBER	SHEET	REV.	SIZE
1-0130L-A0026	001	00	B