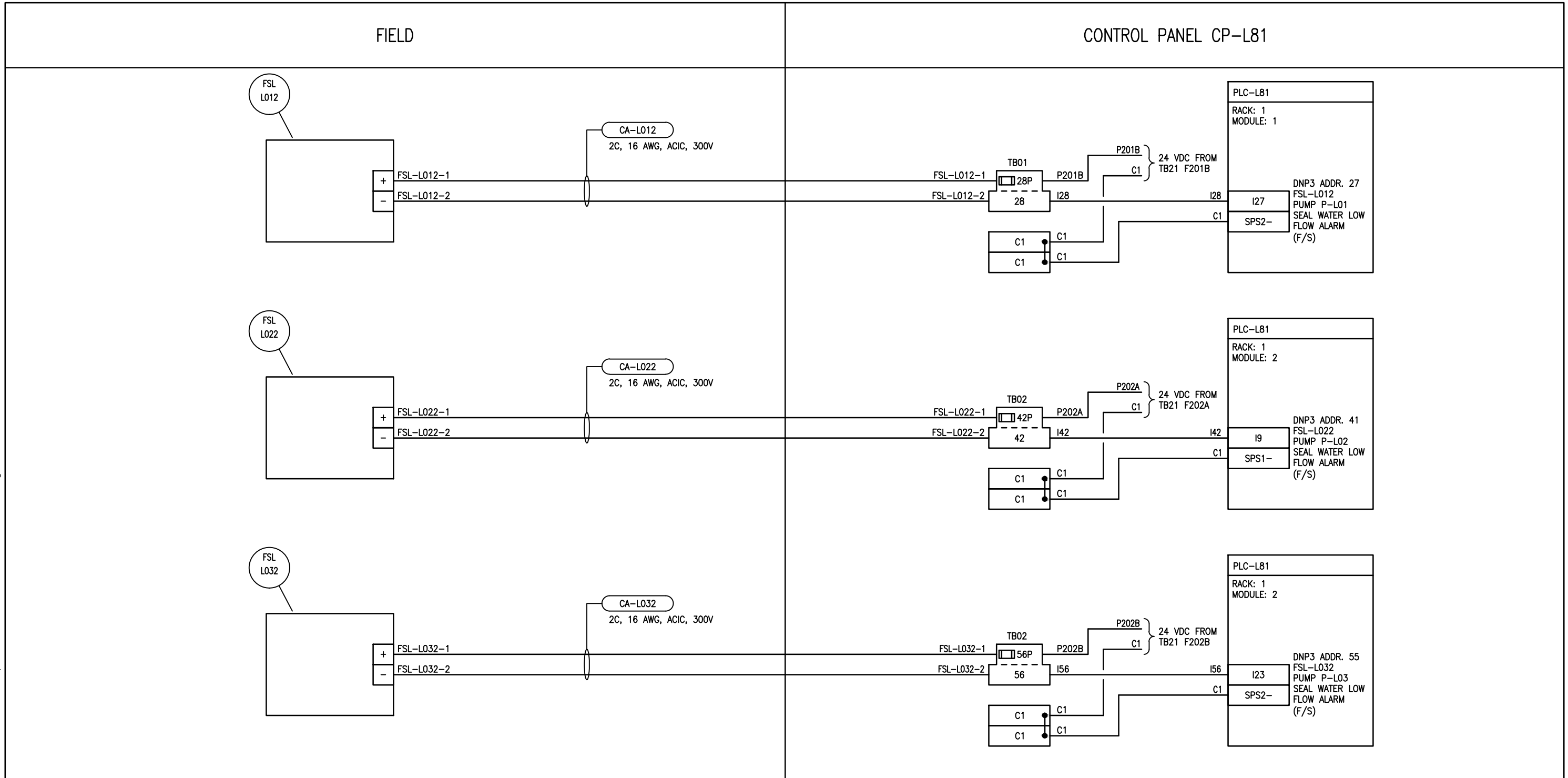


B SIZE - 279mm x 432mm

LAST SAVE: 2017/07/26 - 2:24pm
 PATH: M:\644548\4ENG\48IC\DD - General DWG\1-0130L-A0023-001-00.dwg



SNC-LAVALIN INC.
 148 Nature Park Way
 Winnipeg, MB, Canada R3P 0X7
 204-786-8080

ENGINEER'S SEAL
PRELIMINARY
 NOT TO BE
 USED FOR
 CONSTRUCTION



COMMUNITY ROW WASTEWATER PUMPING STATION
 2017 UPGRADES
 LOOP DIAGRAM
 SEAL WATER FLOW SWITCHES
 FSL-L012, FSL-L022, FSL-L032

NO.	REVISIONS	DATE	DESIGN	CHECK
00	ISSUED FOR TENDER, BID OPP. 639-2017	2017-07-25	TMC	BJC

DESIGNED BY: T. CHURCH	CHECKED BY: B. CLEVEN
DRAWN BY: Y. KONIG	APPROVED BY: B. CLEVEN
SCALE: NTS	DATE: 2017/02/01
ISSUED FOR CONSTRUCTION DATE:	
CONSULTANT NO.:	

CITY DRAWING NUMBER 1-0130L-A0023	SHEET 001	REV. 00	SIZE B
--------------------------------------	--------------	------------	-----------