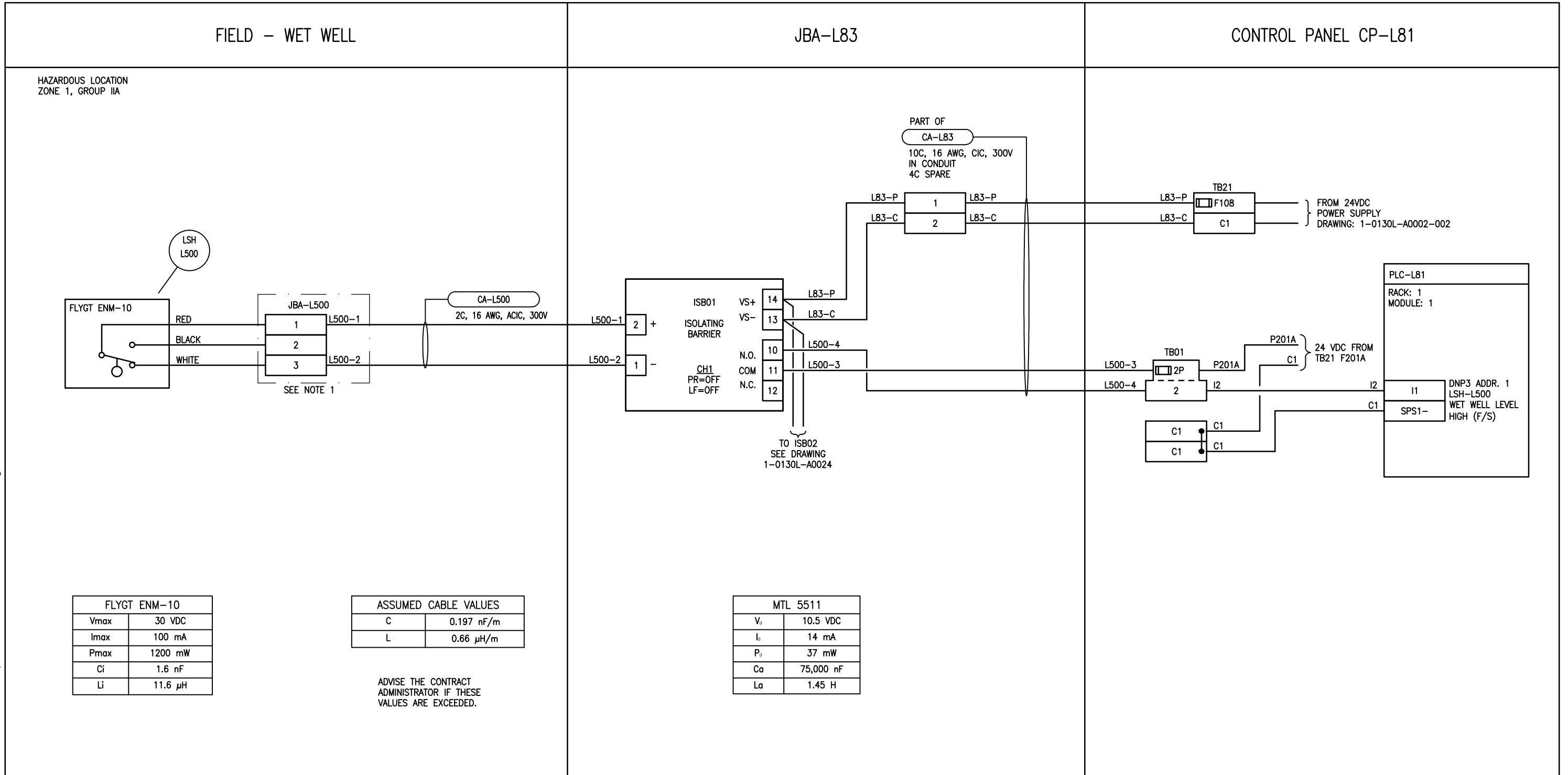


B SIZE - 279mm x 432mm

LAST SAVE: 2017/07/26 - 2:20pm
 PATH: M:\644548\4ENG\48C\DD - General DWG\1-0130L-A0013-001-00.dwg



FLYGT ENM-10	
V _{max}	30 VDC
I _{max}	100 mA
P _{max}	1200 mW
C _i	1.6 nF
L _i	11.6 μH

ASSUMED CABLE VALUES	
C	0.197 nF/m
L	0.66 μH/m

ADVISE THE CONTRACT ADMINISTRATOR IF THESE VALUES ARE EXCEEDED.

MTL 5511	
V _o	10.5 VDC
I _o	14 mA
P _o	37 mW
C _a	75,000 nF
L _a	1.45 H

NOTES

- PROVIDE AND INSTALL NEW NEMA TYPE 4X JUNCTION BOX WITH TERMINALS AND IDENTIFICATION LAMACOID.



SNC-LAVALIN INC.
 148 Nature Park Way
 Winnipeg, MB, Canada R3P 0X7
 204-786-8080

ENGINEER'S SEAL

PRELIMINARY
 NOT TO BE
 USED FOR
 CONSTRUCTION



THE CITY OF WINNIPEG
 WATER AND WASTE DEPARTMENT

COMMUNITY ROW WASTEWATER PUMPING STATION
 2017 UPGRADES
 LOOP DIAGRAM
 WET WELL HIGH LEVEL SWITCH
 LSH-L500

NO.	REVISIONS	DATE	DESIGN	CHECK
00	ISSUED FOR TENDER, BID OPP. 639-2017	2017-07-25	TMC	BJC

DESIGNED BY:	T. CHURCH	CHECKED BY:	B. CLEVEN
DRAWN BY:	Y. KONIG	APPROVED BY:	B. CLEVEN
SCALE:	NTS	DATE:	2017/02/01
ISSUED FOR CONSTRUCTION BY:		DATE:	
CONSULTANT NO.:			

CITY DRAWING NUMBER	SHEET	REV.	SIZE
1-0130L-A0013	001	00	B