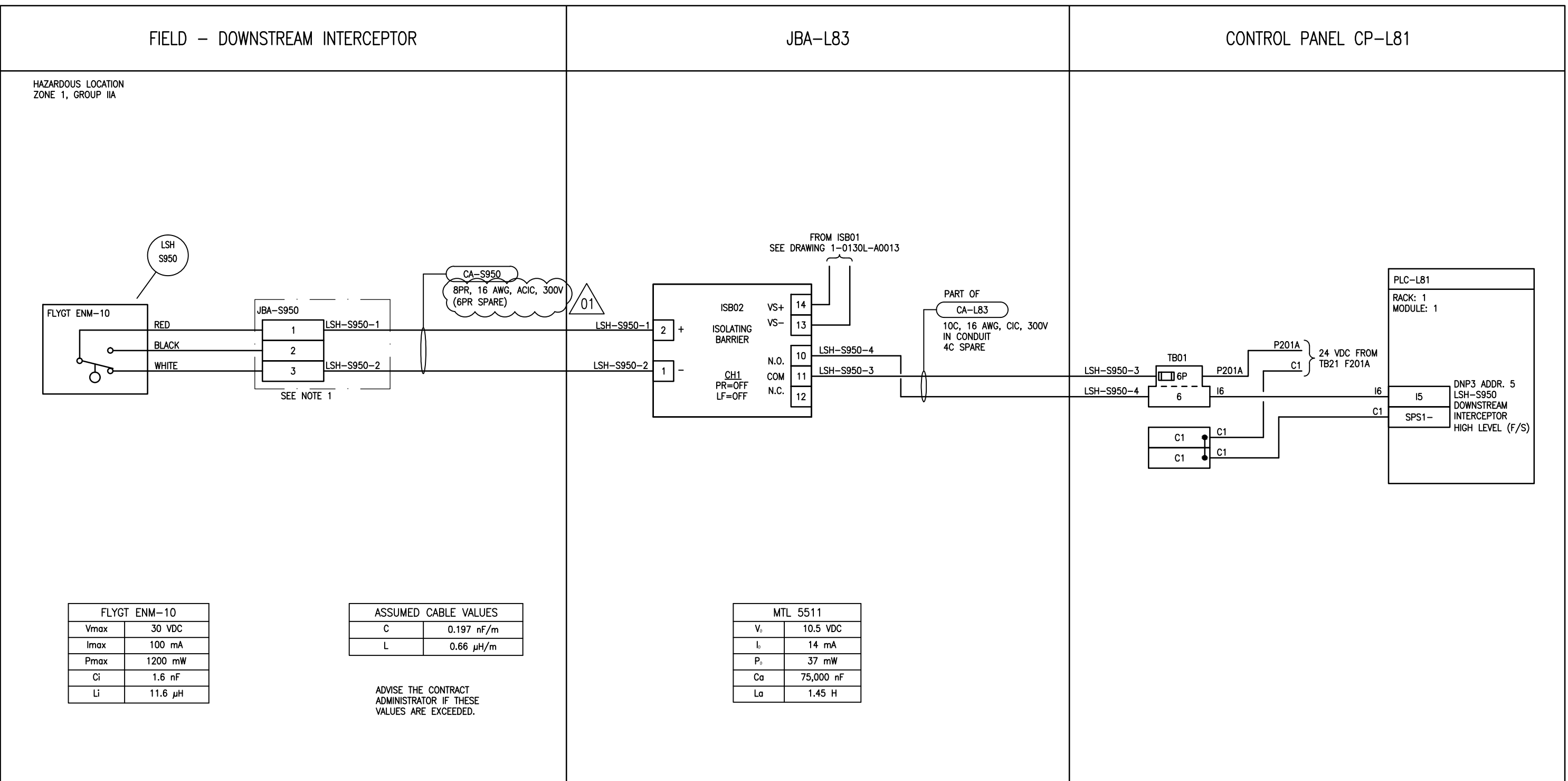


LAST SAVE: 2017/08/09 - 10:52am  
 PATH: M:\644548\4ENG\48IC\DD - General DWG\1-0130L-A0024-001-01.dwg  
 B SIZE - 279mm x 432mm



**NOTES**

1. PROVIDE AND INSTALL NEW NEMA TYPE 4X JUNCTION BOX WITH TERMINALS AND IDENTIFICATION LAMACOID.

SNC-Lavalin Inc.  
No. 4489

**SNC-LAVALIN INC.**  
148 Nature Park Way  
Winnipeg, MB, Canada R3P 0X7  
204-786-8080

DESIGNED BY: T. CHURCH	CHECKED BY: B. CLEVEN	DRAWN BY: Y. KONIG	APPROVED BY: B. CLEVEN	SCALE: NTS	DATE: 2017/02/01
ISSUED FOR CONSTRUCTION		DATE:			
BY:		DATE:			
CONSULTANT NO.:					

NO.	REVISIONS	DATE	DESIGN	CHECK
01	REVISED CABLE TYPE	2017-08-09	TMC	BJC
00	ISSUED FOR TENDER, BID OPP. 639-2017	2017-07-25	TMC	BJC

ENGINEER'S SEAL

PRELIMINARY  
NOT TO BE  
USED FOR  
CONSTRUCTION

**THE CITY OF WINNIPEG**  
WATER AND WASTE DEPARTMENT

COMMUNITY ROW WASTEWATER PUMPING STATION  
2017 UPGRADES  
LOOP DIAGRAM  
DOWNSTREAM INTERCEPTOR HIGH LEVEL SWITCH  
LSH-S950

CITY DRAWING NUMBER <b>1-0130L-A0024</b>	SHEET <b>001</b>	REV. <b>01</b>	SIZE <b>B</b>
---	---------------------	-------------------	------------------