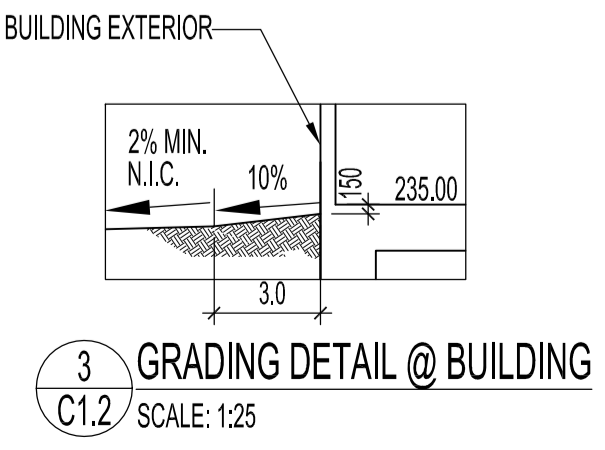


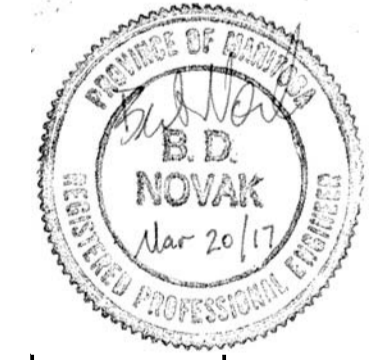
GENERAL LEGEND	
$+231.95$	EXISTING GRADE GEODETIC POINT
$+231.95$	NEW GRADE GEODETIC POINT
---	PROPERTY LINE
17.0	HORIZONTAL DIMENSIONS
●	PILES FOR LOCATION OF PARKING LIGHT STANDARDS
	NEW BERM
	AREAS OF SITE WORK



- NOTES:**
- NOTE:
ALL FILL REMOVED FROM BASEMENT AREA TO BE USED FOR BERM, BUILDING PERIMETER GRADE & APPROACH ACCESS
- ALL WORK TO BE IN ACCORDANCE WITH THE FOLLOWING CITY OF WINNIPEG STANDARDS SPECIFICATIONS:
 - CW3130 SUPPLY & INSTALLATION OF GEOTEXTILE FABRICS
 - CW3150 GRAVEL SURFACING
 - CW3170 EARTHWORK & GRADING
 - CW3610 INSTALLATION OF CULVERTS
 - ALL CLAY FILL MATERIAL REQUIRED TO ACHIEVE DESIGN GRADES IS TO BE SUPPLIED & DELIVERED BY THE CITY. PLACED & COMPACTED AS REQUIRED BY THE CONTRACTOR.
 - ALL LIMESTONE FILL IS TO BE SUPPLIED & DELIVERED BY THE CITY. FILL IS TO BE PLACED & COMPACTED AS REQUIRED BY THE CONTRACTOR & MEET THE LATEST CITY OF WINNIPEG CONSTRUCTION SPECIFICATIONS (CW3110) FOR SUB BASE & BASE COURSE.
 - AFTER ALL FILL & ORGANICS ARE STRIPPED & EXCAVATION HAS BEEN COMPLETED, EXISTING SUB-GRADE IS TO BE INSPECTED BY GEO-TECHNICAL ENGINEER APPROVED BY THE CONTRACT ADMINISTRATOR TO ENSURE SUITABLE MATERIAL IS ENCOUNTERED. SEE GEO-TECHNICAL REPORT SECTION 9.1.1 FOR RECOMMENDED PROCEDURES FOR REMOVAL & BACKFILL IF ADDITIONAL EXCAVATION IS REQUIRED.
 - WHERE SUB-GRADE ELEVATIONS ARE MORE THAN 500mm BELOW DESIGN ELEVATIONS FOR GRANULAR PAVING, PROVIDE ADDITIONAL 50mm GRANULAR LIMESTONE BASE COMPACTED AS SPECIFIED.

1 PARKING LIGHT STANDARDS. SEE ELEC. DWG. FOR FIXTURE. WORK TO BE IN ACCORDANCE WITH THE CITY OF WINNIPEG STANDARD SPECIFICATIONS SD-314, "SINGLE POLE BASE -TYPE J". PILES TO BE 900mm ABOVE GRADE.

0	ISSUED FOR CONSTRUCTION	MMK	MAR 17, 2017
No.	REVISION/DESCRIPTION	BY	DATE



DRAWN	MMK	CHECKED	DESIGNED	APPROVED
DATE	2016.08.30	USER	APPROVAL	

THE CITY OF WINNIPEG
PLANNING, PROPERTY AND DEVELOPMENT DEPARTMENT
MUNICIPAL ACCOMMODATIONS DIVISION
3-65 GARRY STREET, R3C 4K4

PROJECT
BRADY ROAD LANDFILL
ADMINISTRATION BUILDING
DEVELOPMENT FOR BRADY LANDFILL
1777 BRADY ROAD

SHEET TITLE
SITE PLAN
PARTIAL SITE GRADING PLAN

SCALE	PROJECT No:	SHEET No:
AS SHOWN	2015-037	C1.2