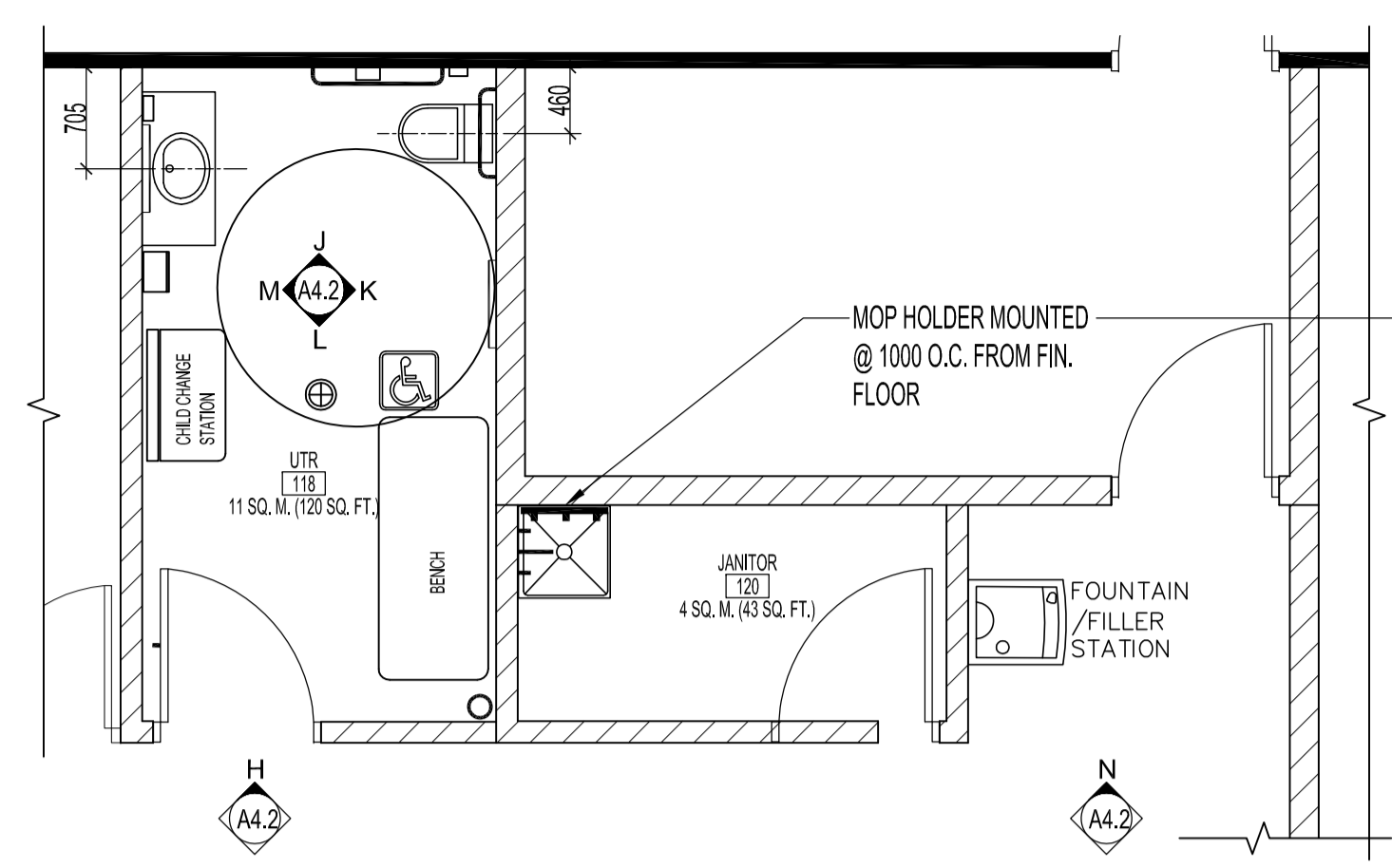
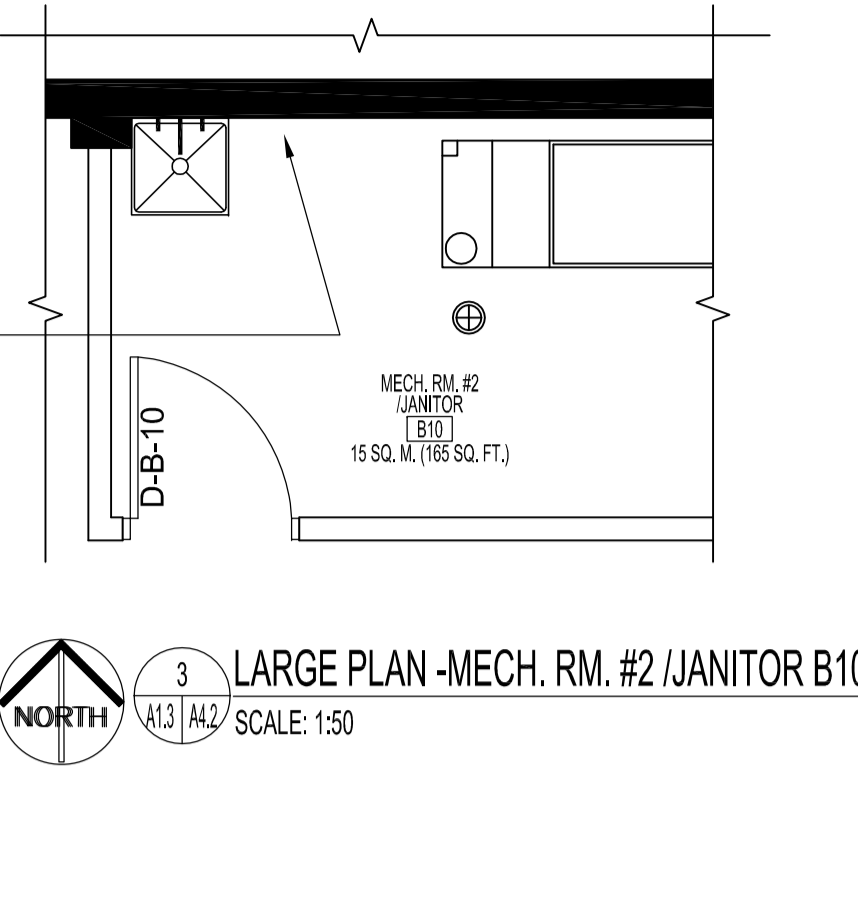


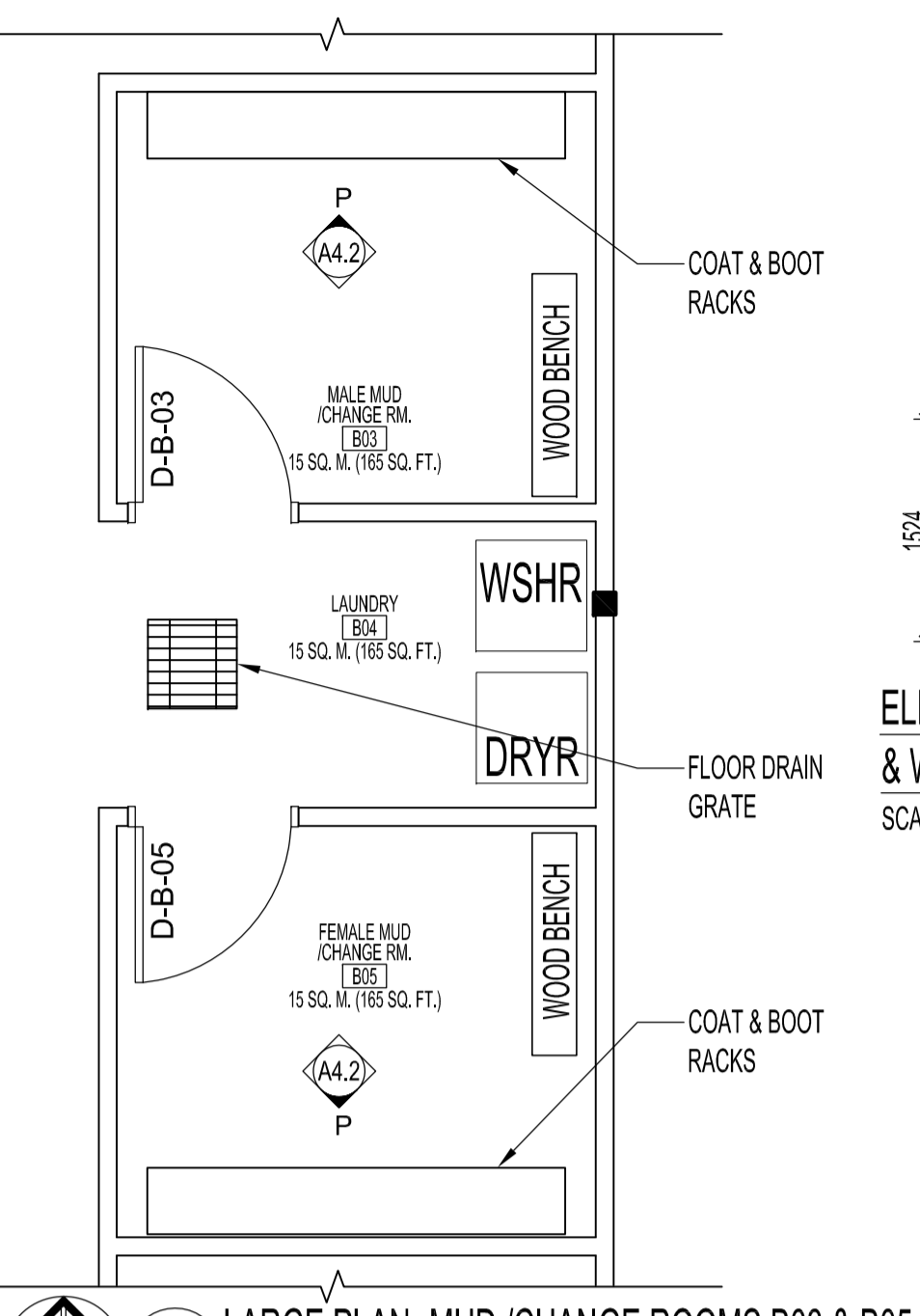
1 LARGE PLAN - WASHROOMS 103, 105, SHOWERS 102, 106 & LOCKER ROOMS 101, 107
SCALE: 1:50



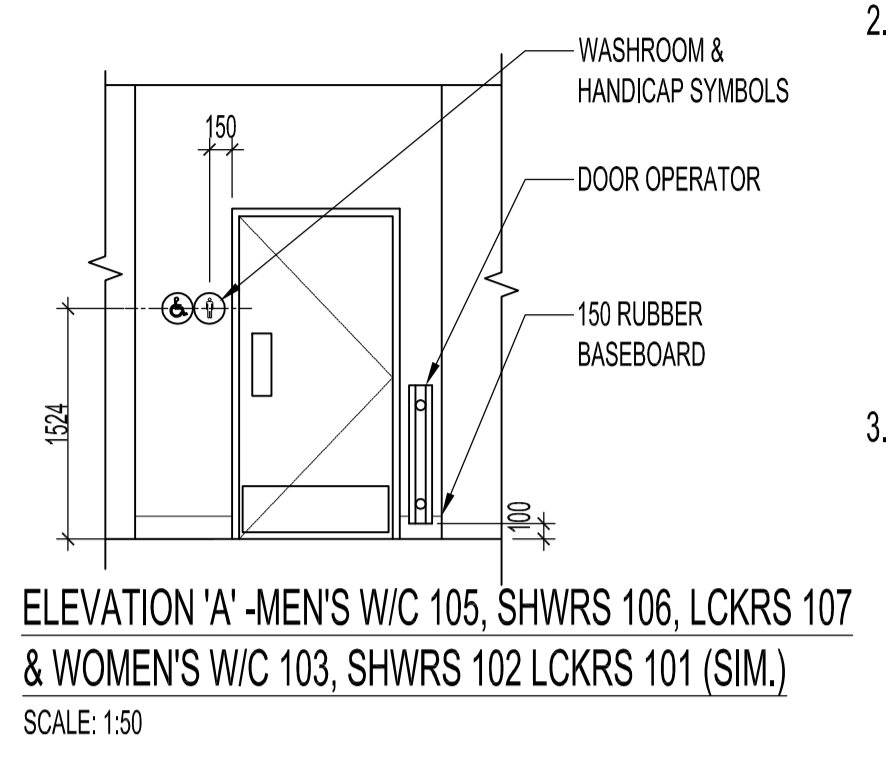
2 LARGE PLAN - UTR 118 & JANITOR 120 & FOUNTAIN
SCALE: 1:50



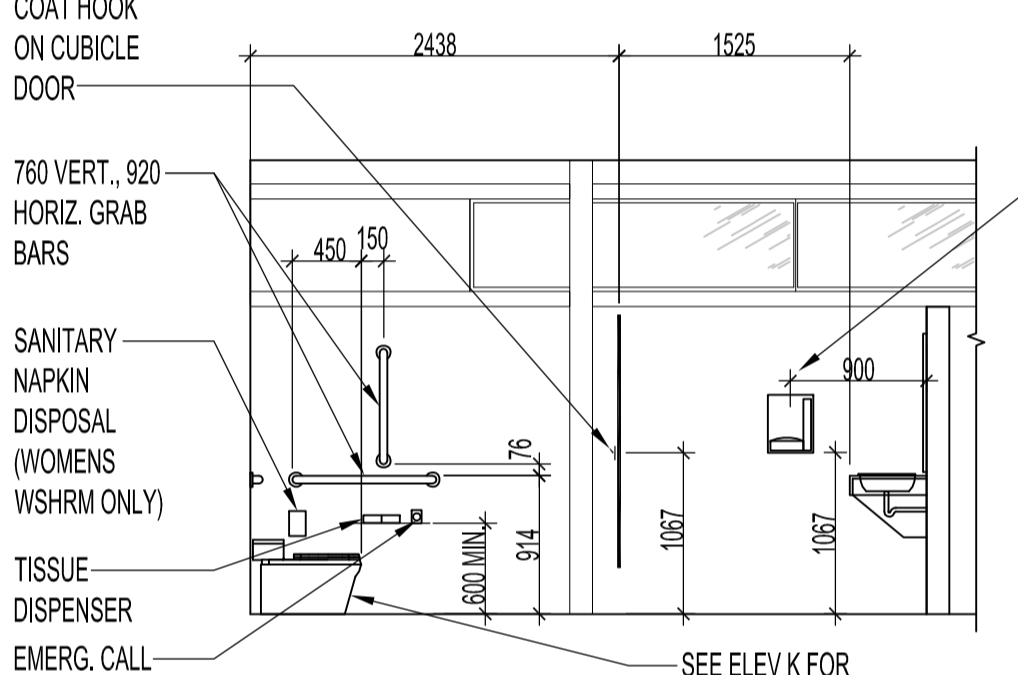
3 LARGE PLAN - MECH. RM. #2 / JANITOR B10
SCALE: 1:50



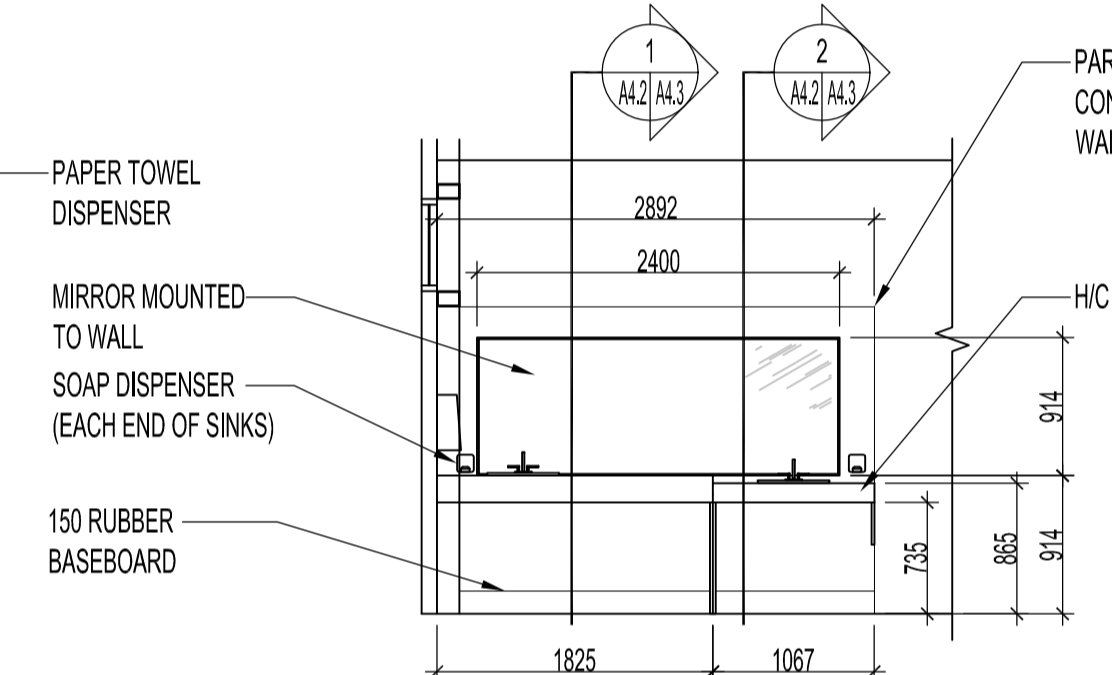
4 LARGE PLAN - MUD / CHANGE ROOMS B03 & B05
SCALE: 1:50



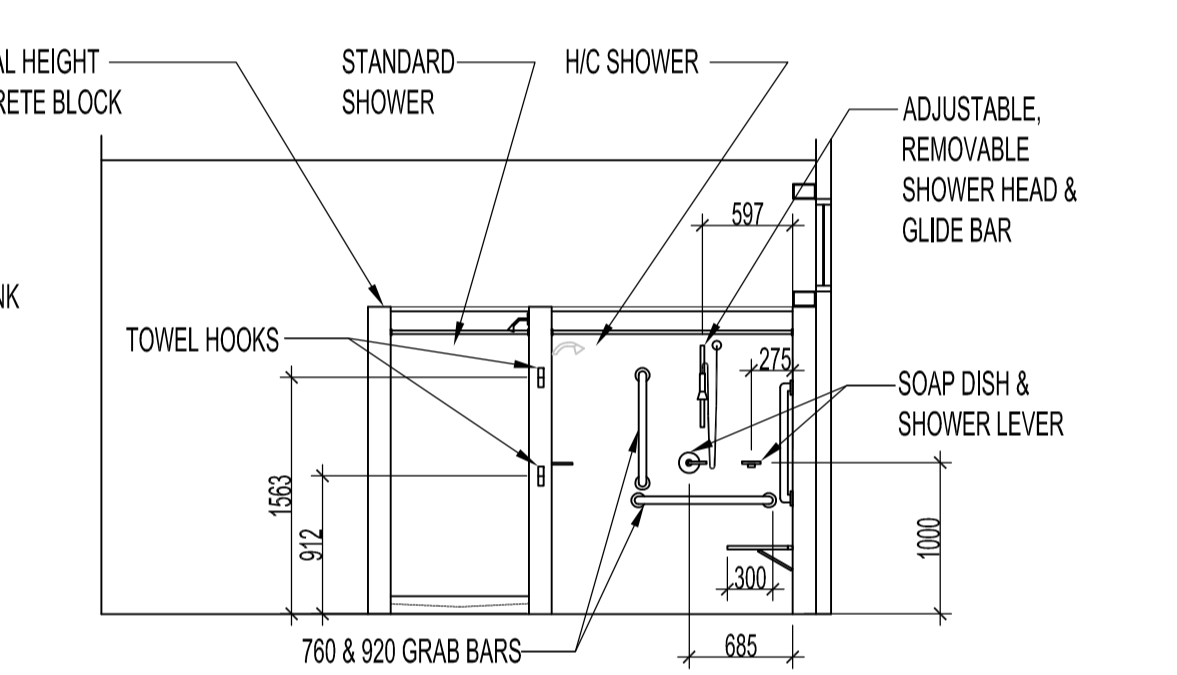
ELEVATION 'A' - MEN'S W/C 105, SHWRS 106, LCKRS 107 & WOMEN'S W/C 103, SHWRS 102 LCKRS 101 (SIM.)
SCALE: 1:50



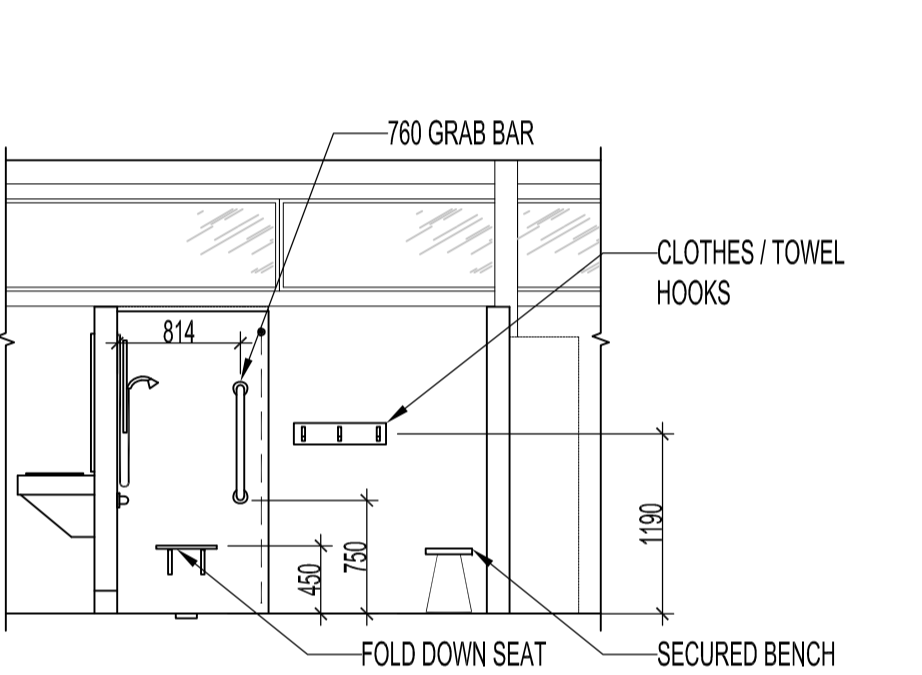
ELEVATION 'B'
SCALE: 1:50



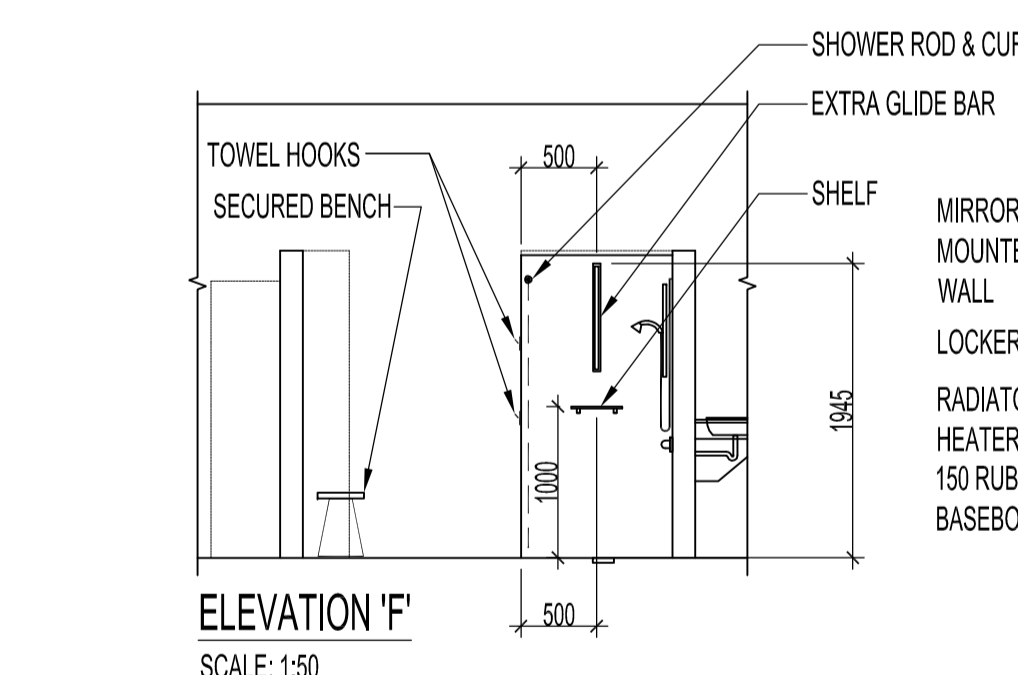
ELEVATION 'C'
SCALE: 1:50



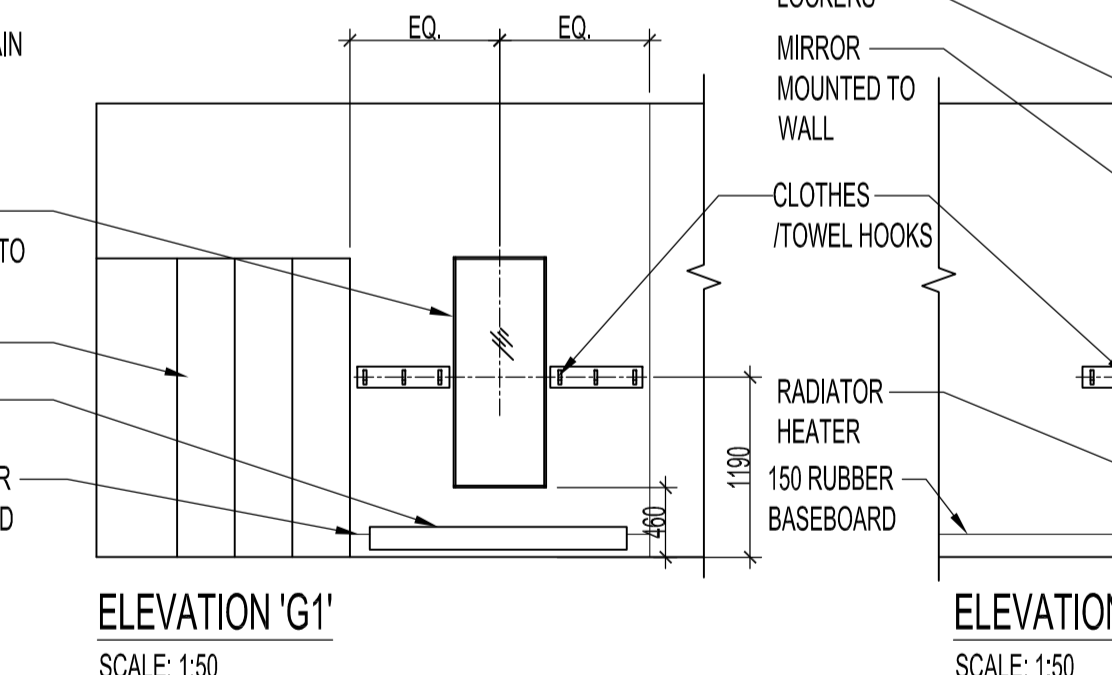
ELEVATION 'D'
SCALE: 1:50



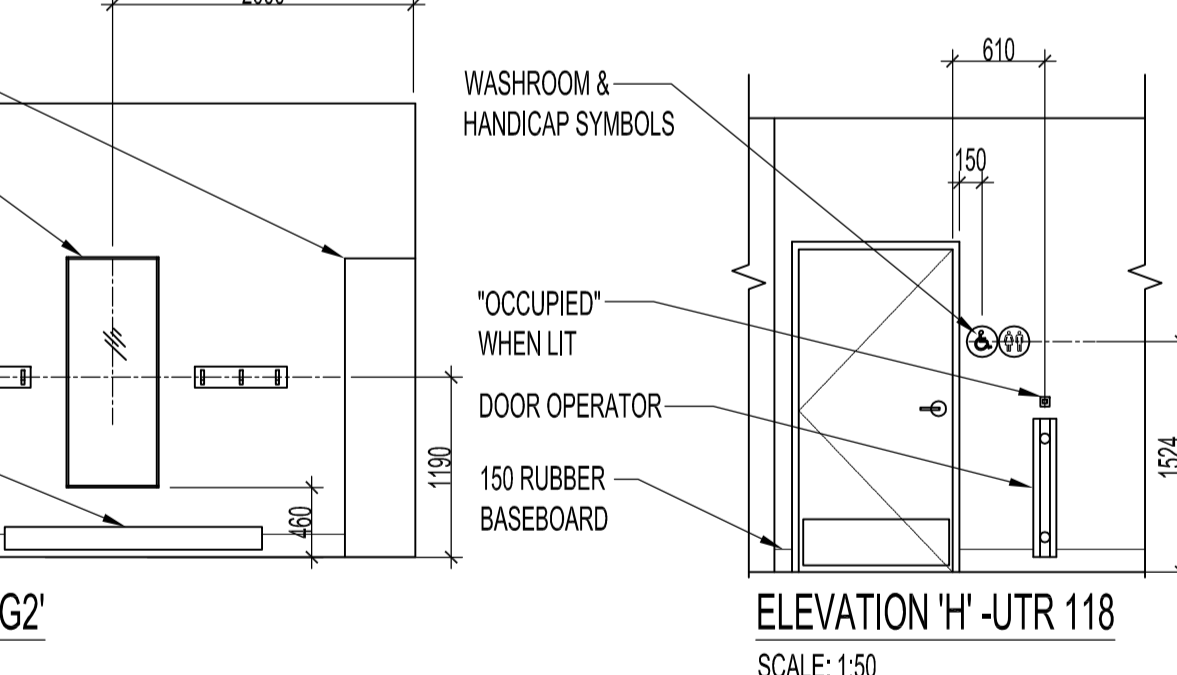
ELEVATION 'E'
SCALE: 1:50



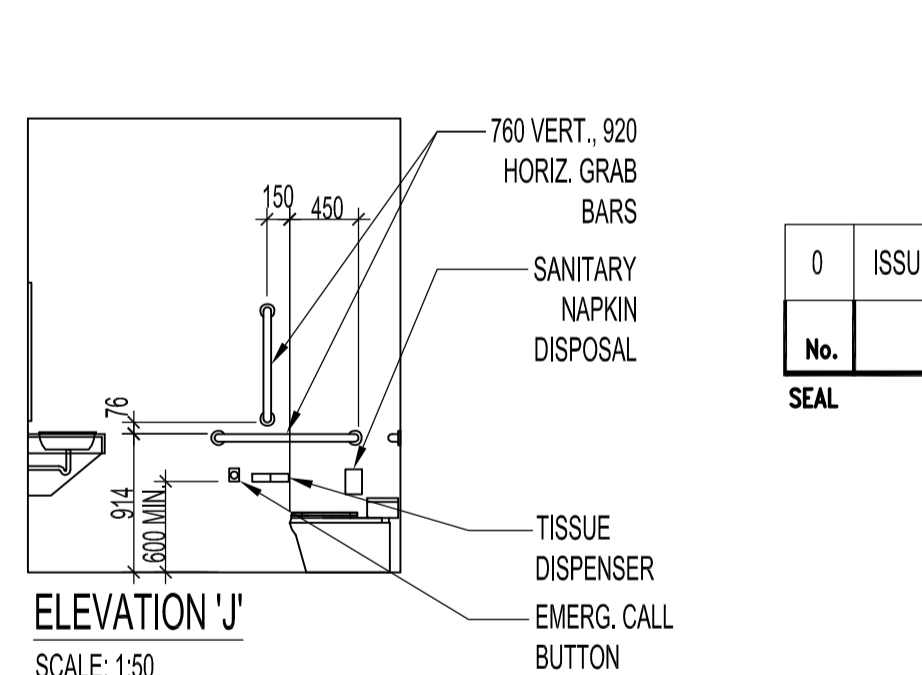
ELEVATION 'F'
SCALE: 1:50



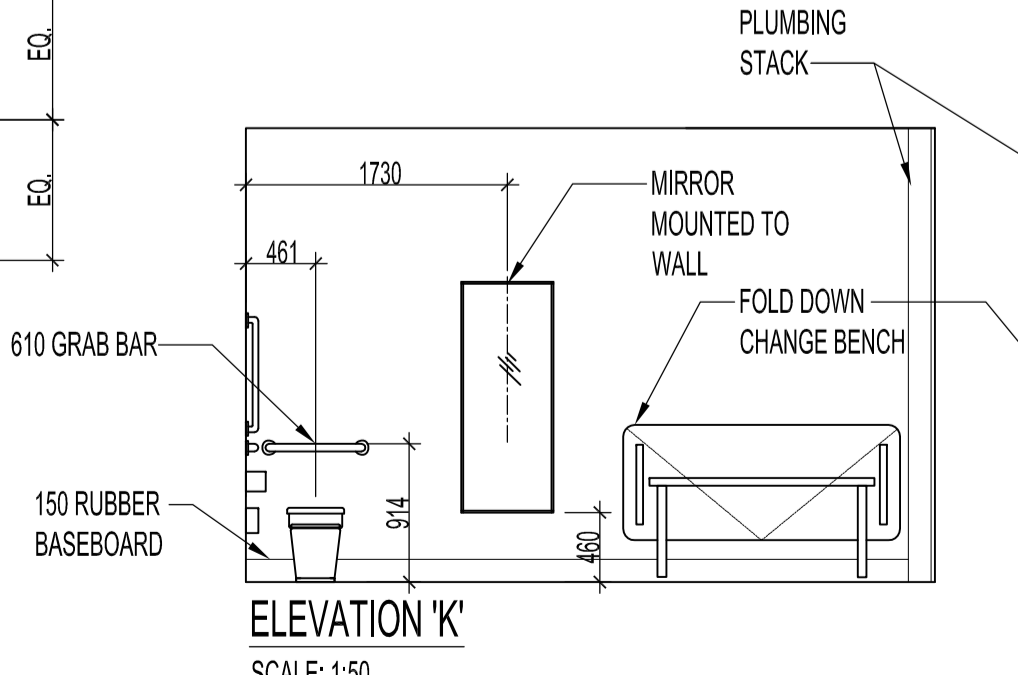
ELEVATION 'G1'
SCALE: 1:50



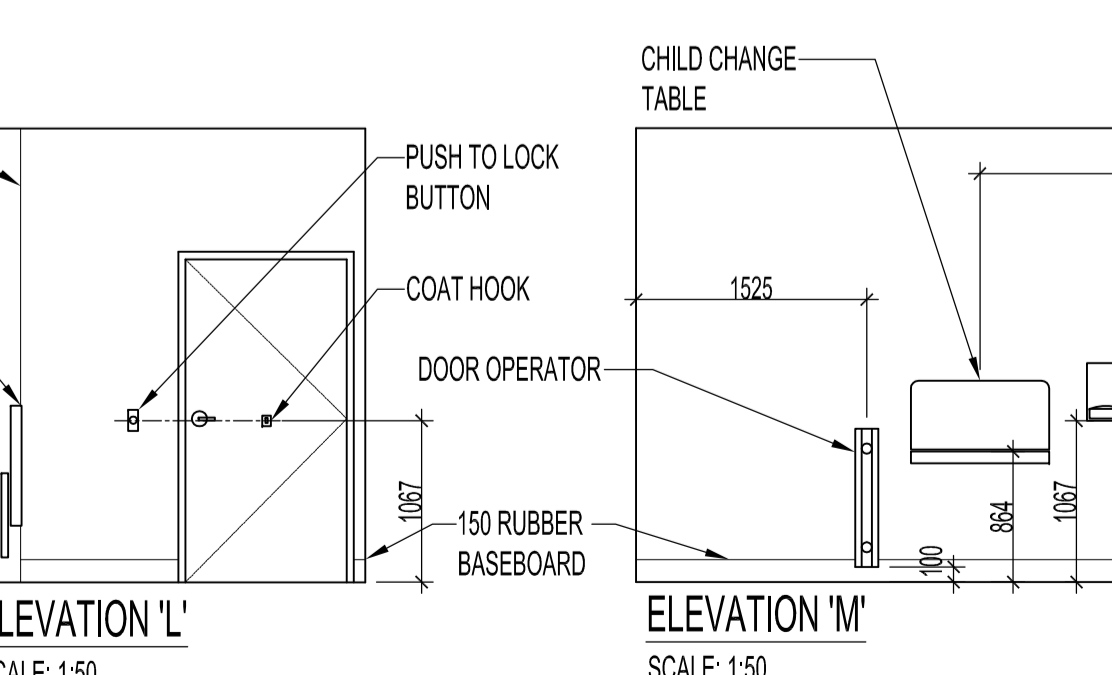
ELEVATION 'G2'
SCALE: 1:50



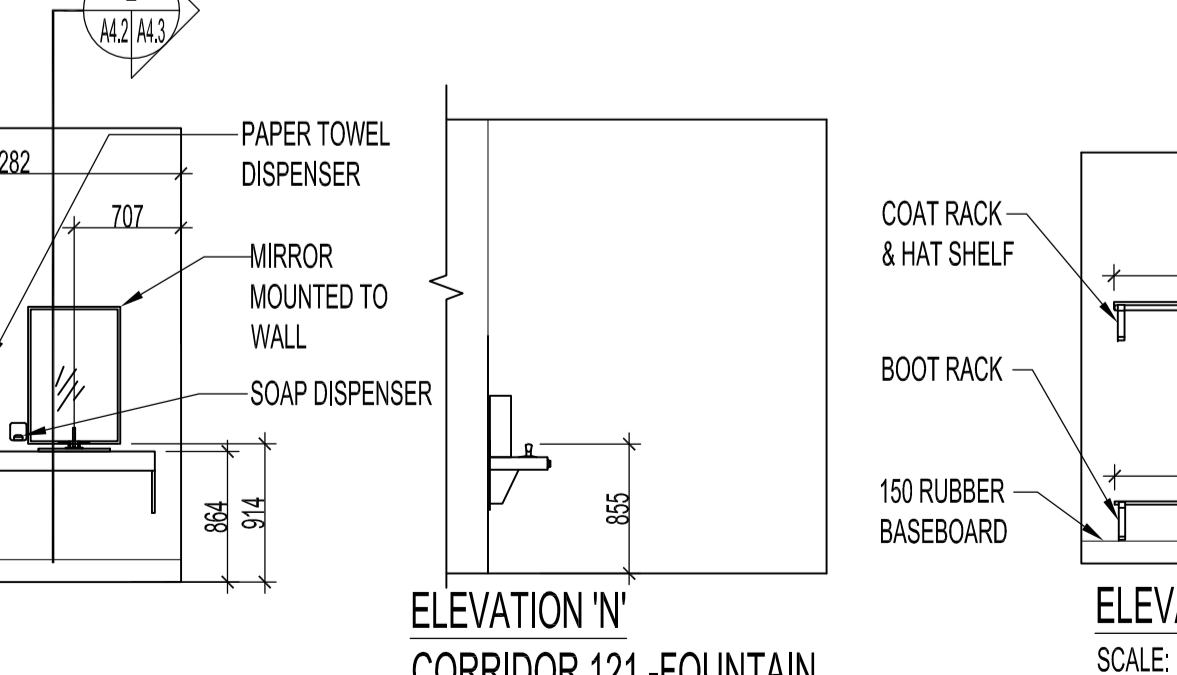
ELEVATION 'H' - UTR 118
SCALE: 1:50



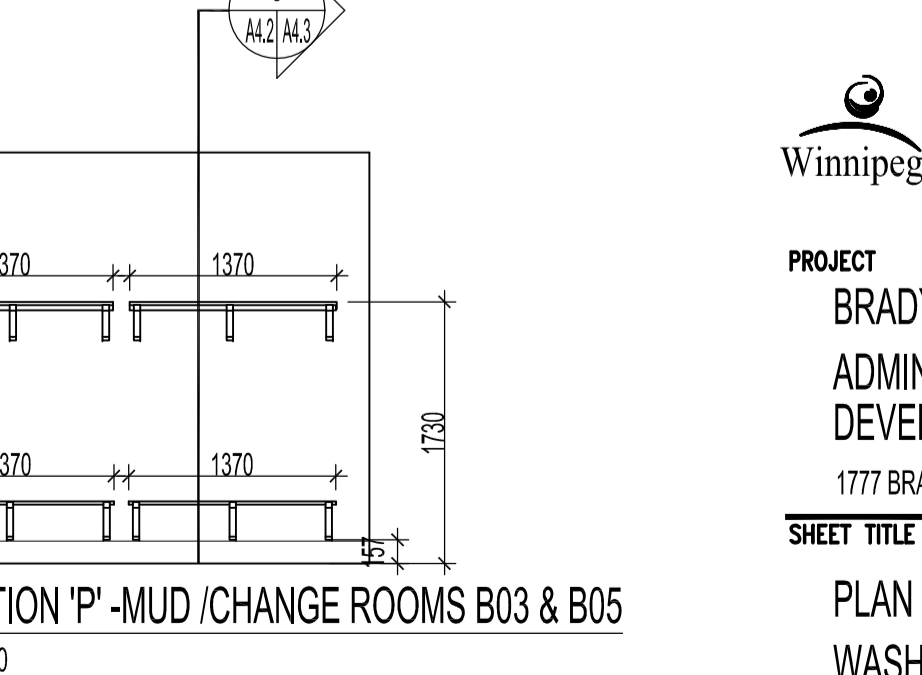
ELEVATION 'K'
SCALE: 1:50



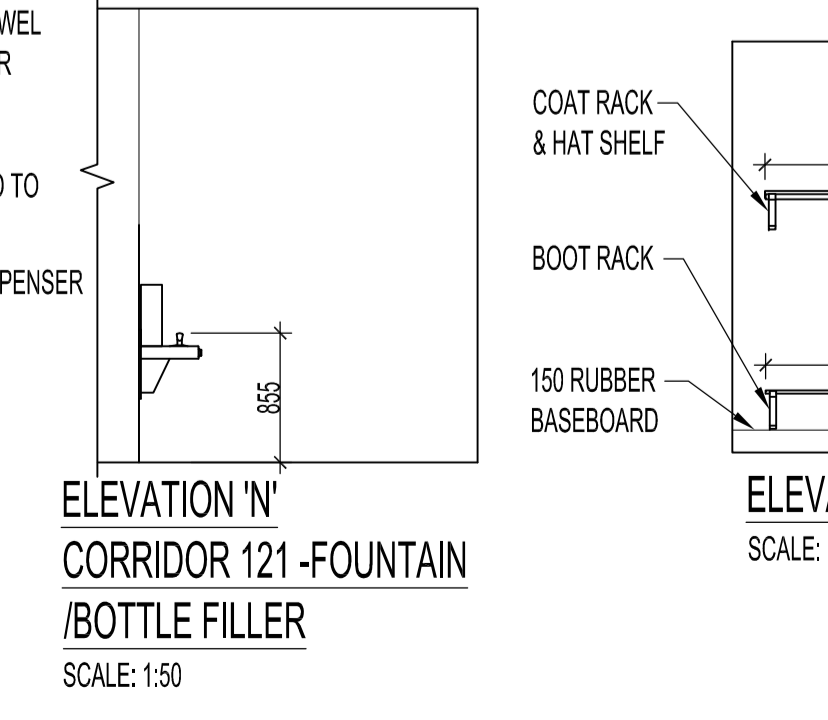
ELEVATION 'L'
SCALE: 1:50



ELEVATION 'M'
SCALE: 1:50



ELEVATION 'P' - MUD / CHANGE ROOMS B03 & B05
SCALE: 1:50



ELEVATION 'N' - CORRIDOR 121 - FOUNTAIN / BOTTLE FILLER
SCALE: 1:50

- NOTES:
- SEE SPECIFICATIONS FOR ALL WASHROOM, LOCKER ROOM & SHOWER AREA ACCESSORIES.
 - ALL WASHROOM & SHOWERS TO FOLLOW THE STANDARDS OF THE LATEST MANITOBA BUILDING CODE 2015 & THE STANDARDS OF THE LATEST CITY OF WINNIPEG ACCESSIBILITY DESIGN STANDARDS 2015.
 - SEE MAIN FLOOR PLAN DWG A1.5 FOR DOOR OPERATOR LOCATIONS & DIMENSIONS.

0	ISSUED FOR CONSTRUCTION	MMK	MAR 17, 2017
No.	REVISION/DESCRIPTION	BY	DATE

DRAWN	MMK	CHECKED	DESIGNED	APPROVED
DATE	2016.03.03	USER	APPROVAL	

THE CITY OF WINNIPEG
PLANNING, PROPERTY AND DEVELOPMENT DEPARTMENT
MUNICIPAL ACCOMMODATIONS DIVISION
3-65 GARRY STREET, R3C 4K4

PROJECT
BRADY ROAD LANDFILL
ADMINISTRATION BUILDING
DEVELOPMENT FOR BRADY LANDFILL
1777 BRADY ROAD

SHEET TITLE
PLAN & ELEVATIONS
WASHROOMS, SHOWERS, LOCKERS,
JANITORS ROOMS & MUD ROOMS

SCALE	PROJECT No:	SHEET No:
AS SHOWN	2015-037	A4.2