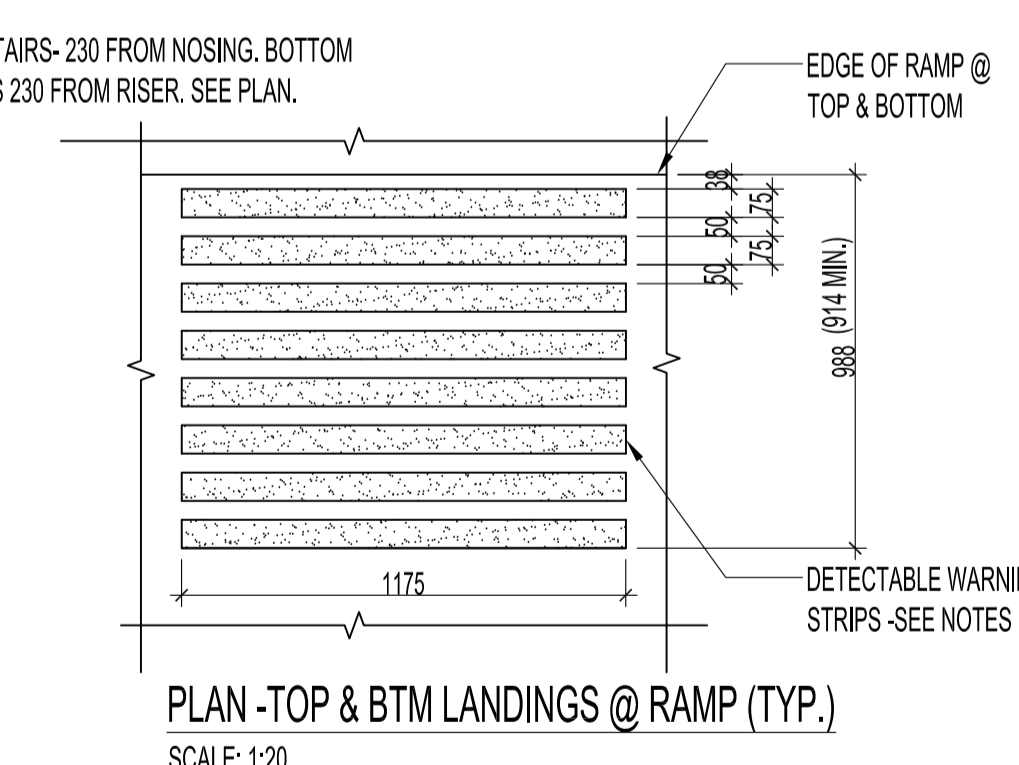
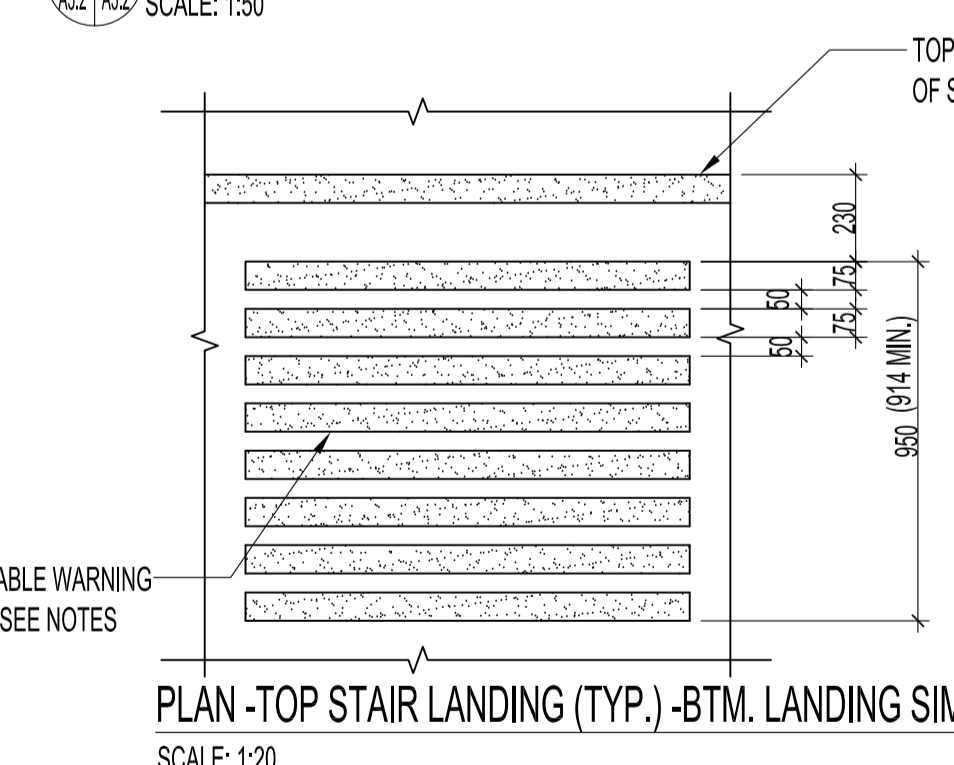
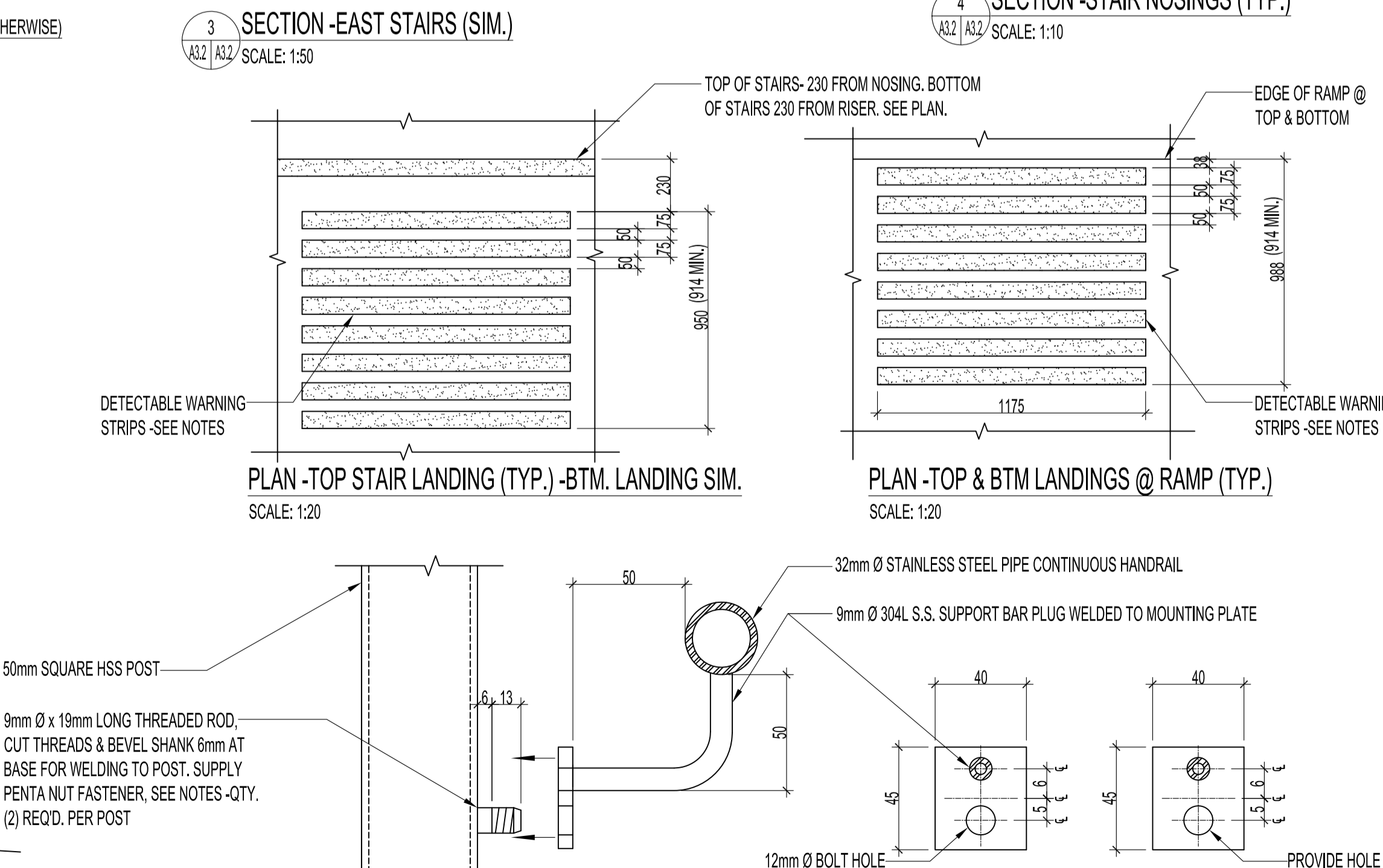
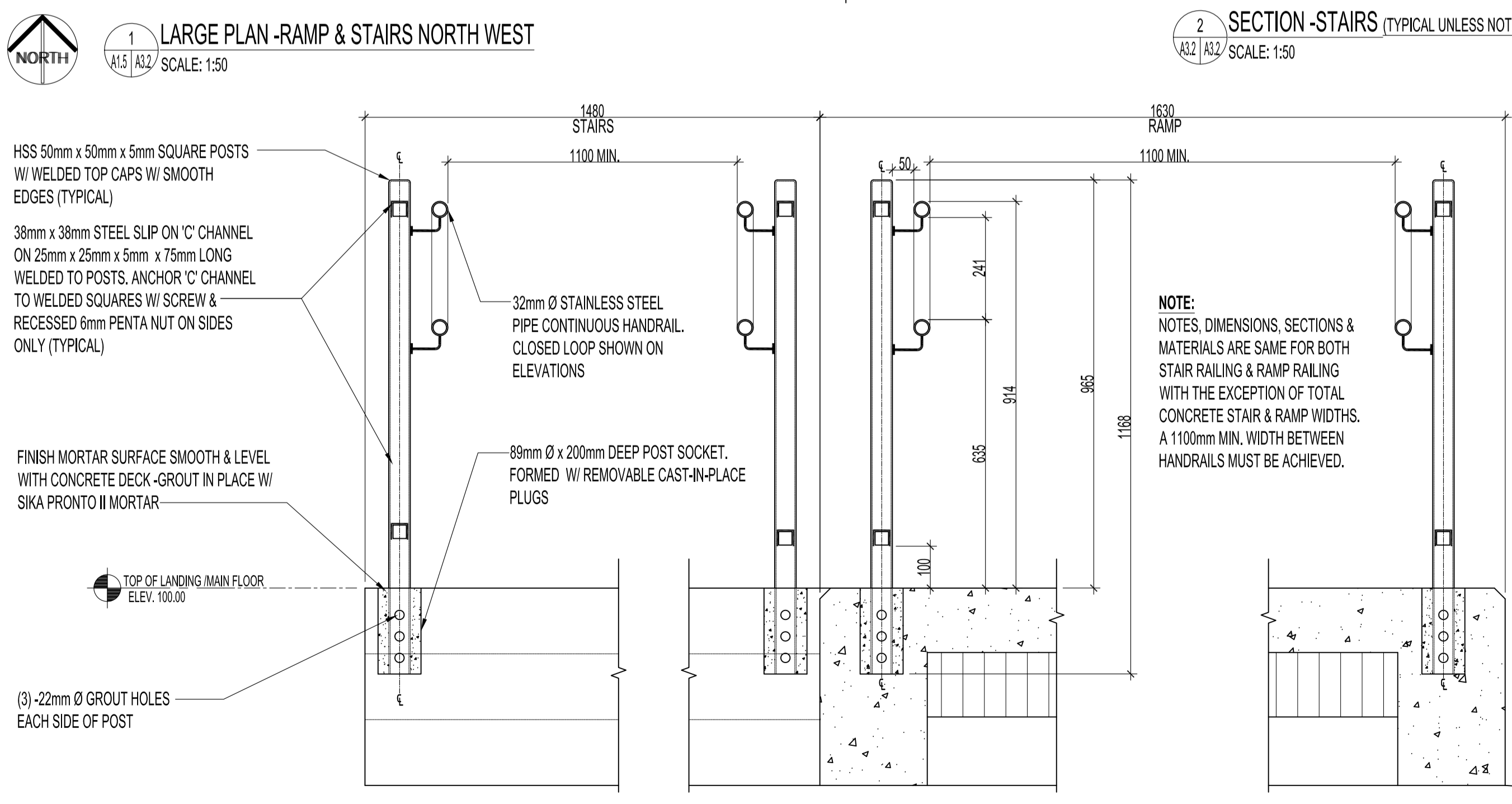
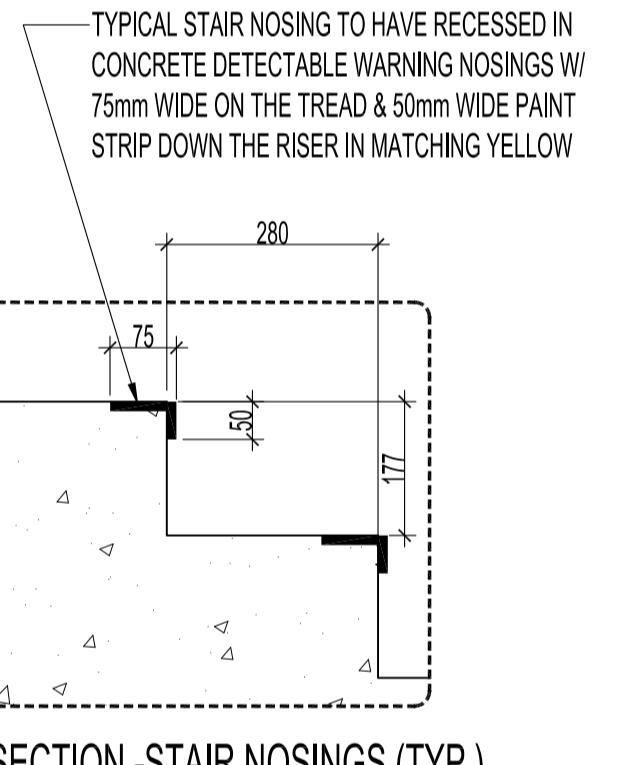
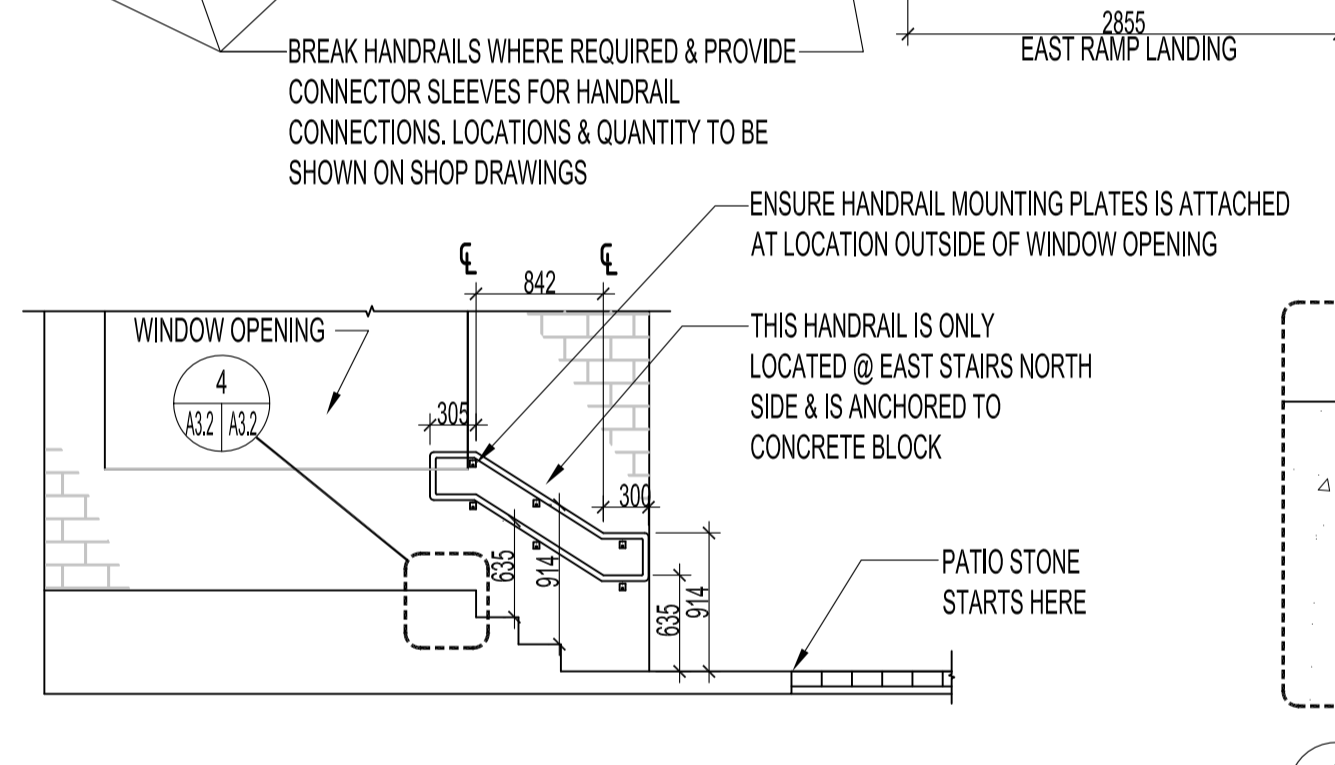
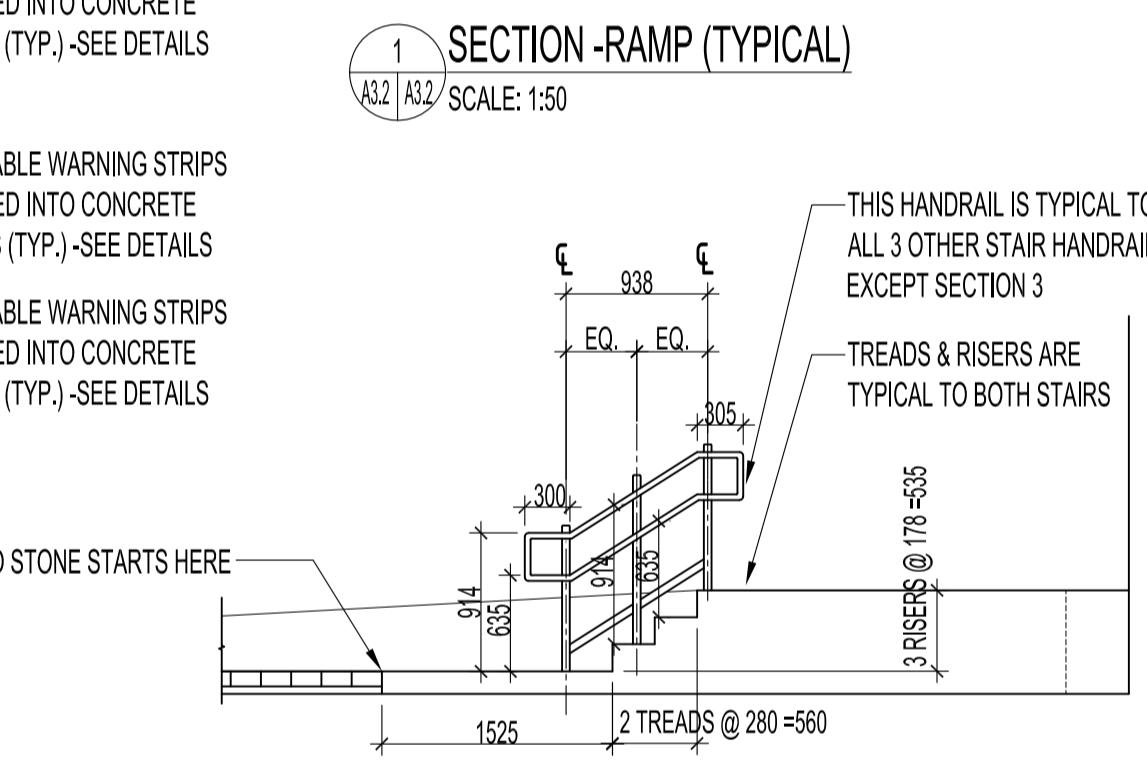
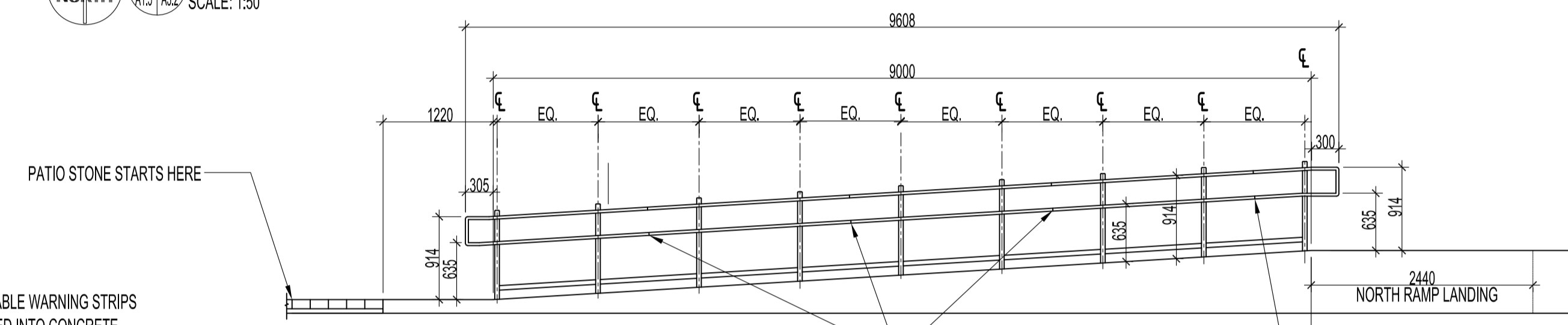
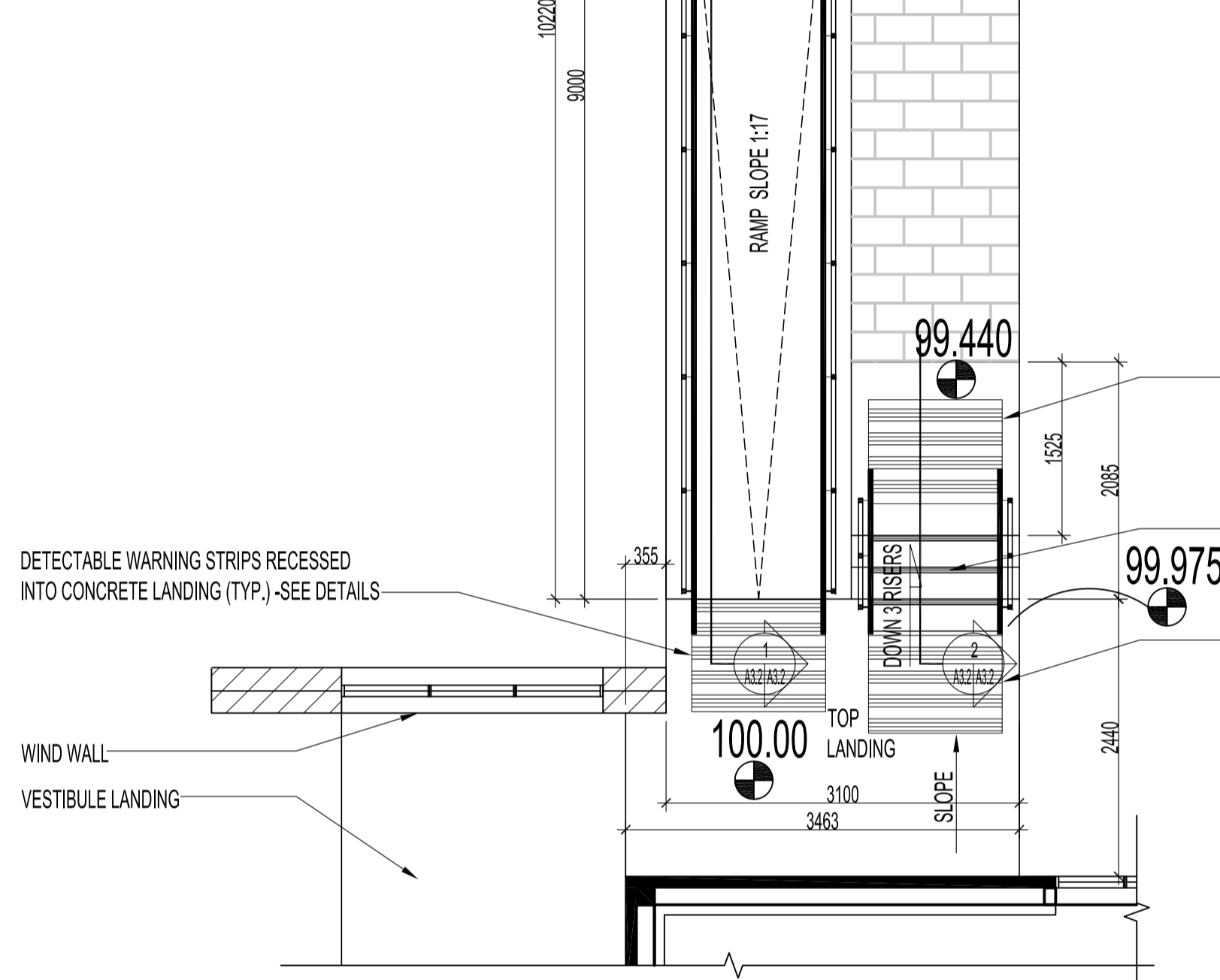
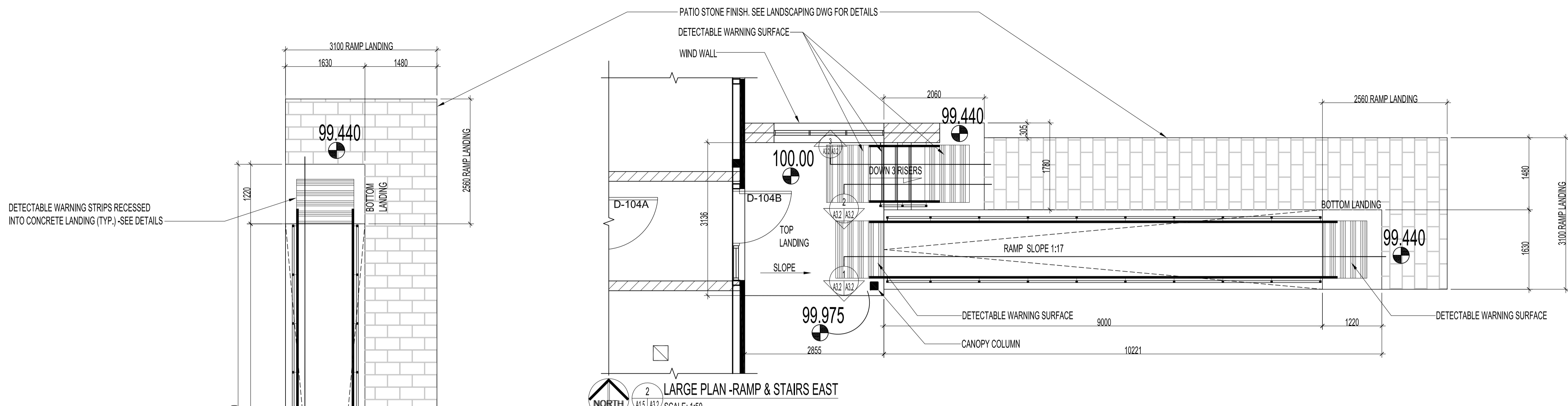


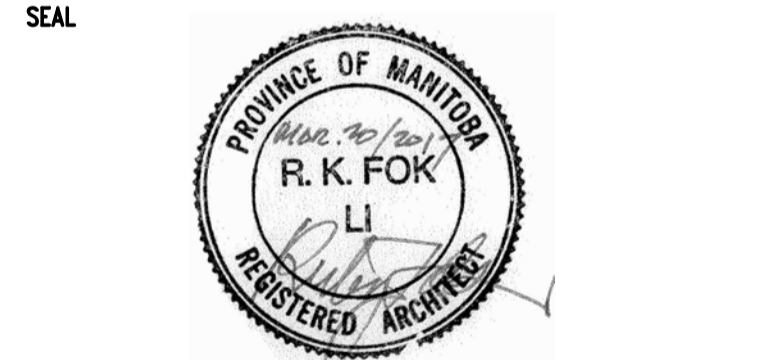
NOTES:

NOTES:

- SEE STRUCTURAL DWGS. FOR CONCRETE WORK & RAILING ANCHORING & DETECTABLE WARNING STRIPS.
- ALL DETECTABLE WARNING STRIPS & NOSINGS TO BE INSTALLED & RECESSED INTO FRESHLY POURED CONCRETE.
- SIZES ARE INDICATED ON PLAN & ARE TO FOLLOW THE STANDARDS OF THE LATEST MANITOBA BUILDING CODE 2015 & THE STANDARDS OF THE LATEST CITY OF WINNIPEG ACCESSIBILITY DESIGN STANDARDS 2015.
- DETECTABLE WARNING STRIPS & NOSINGS PRODUCTS TO BE SUPERGRIT BY WOOSTER IN 3" WIDTHS, COLOUR SAFETY YELLOW SY-1.
- NOSINGS TO HAVE SAFETY YELLOW ON TREAD (75mm WIDE) & A CONTRASTING COLOUR (CONTRASTING TO CONCRETE) ON THE FRONT THE NOSING RISER (50mm WIDE) TO BE PAINT IN MATCHING YELLOW.
- STAIR & RAMP RAILING COMPONENTS TO HAVE POWDER COAT FINISH IN GUN METAL COLOUR. PROVIDE SAMPLES FOR REVIEW BY CONTRACT ADMINISTRATOR.
- HANDRAIL, SUPPORT & MOUNTING PLATE TO BE STAINLESS STEEL FINISH NO 4 (BRUSHED).



0	ISSUED FOR CONSTRUCTION	MMK	MAR 17, 2017
No.	REVISION/DESCRIPTION	BY	DATE



DRAWN	MMK	CHECKED	DESIGNED	APPROVED
DATE	2016.08.30	USER	APPROVAL	

THE CITY OF WINNIPEG
PLANNING, PROPERTY AND
DEVELOPMENT DEPARTMENT
MUNICIPAL ACCOMMODATIONS DIVISION
3-65 GARRY STREET, R3C 4K4

PROJECT
BRADY ROAD LANDFILL
ADMINISTRATION BUILDING
DEVELOPMENT FOR BRADY LANDFILL
1777 BRADY ROAD

SHEET TITLE
EXTERIOR STAIR & RAMP PLANS
ELEVATIONS & SECTIONS

SCALE	PROJECT No:	SHEET No:
AS SHOWN	2015-037	A3.2