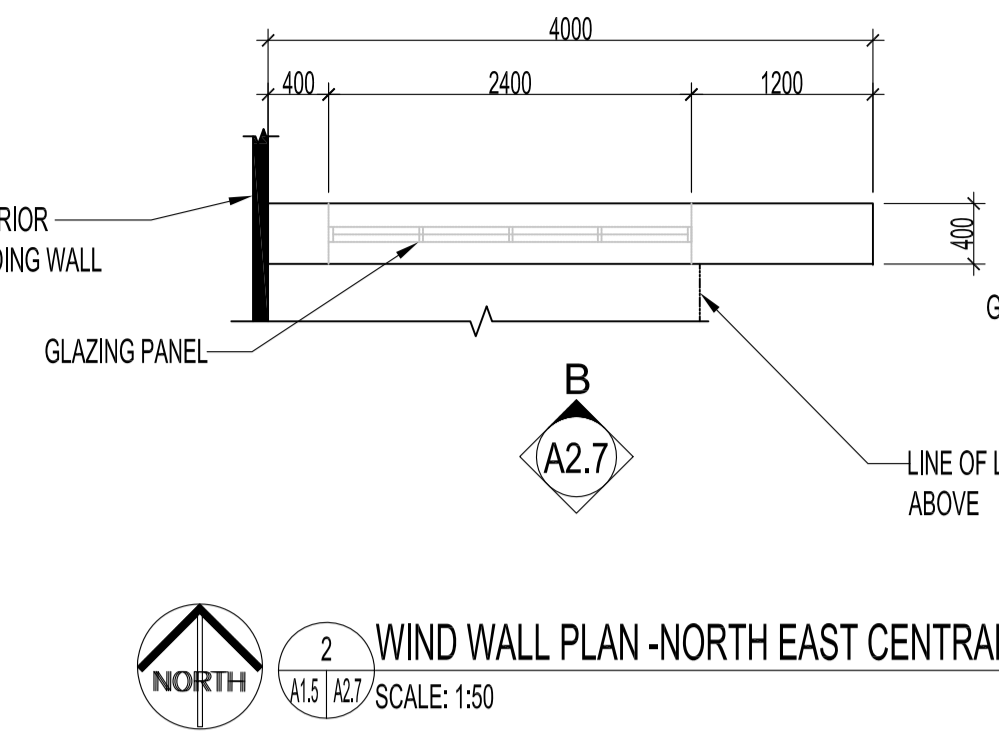
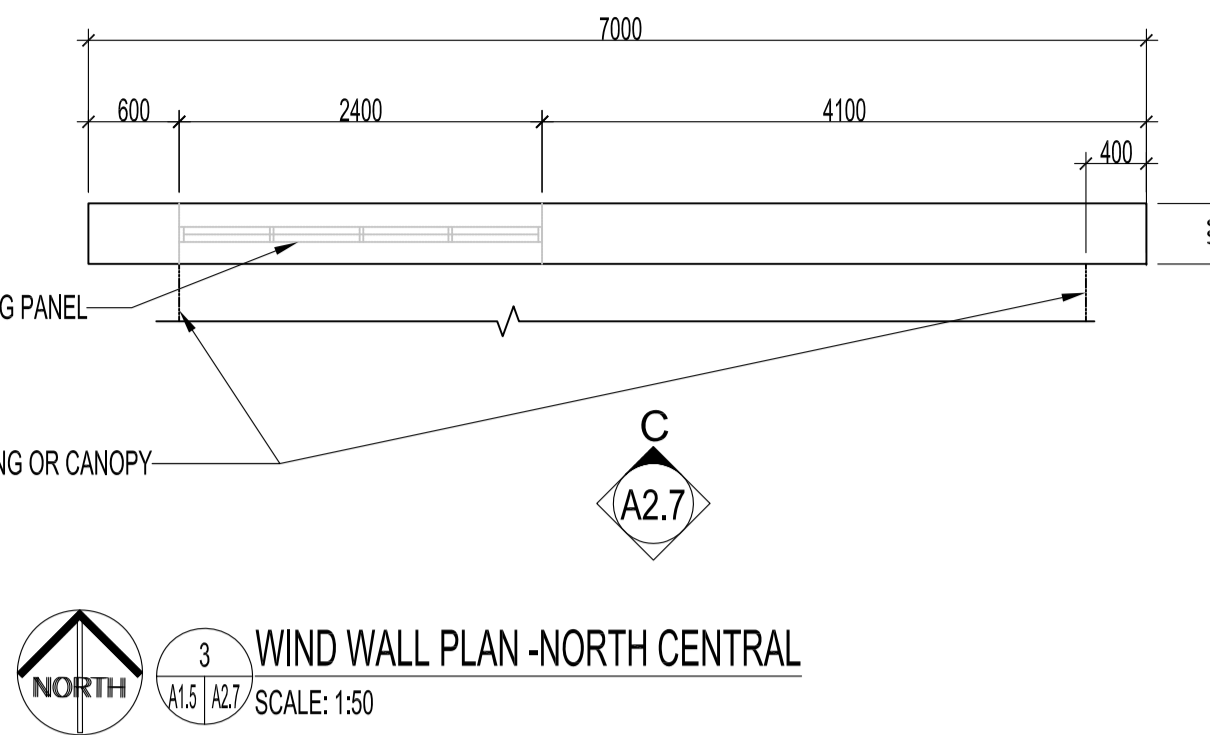


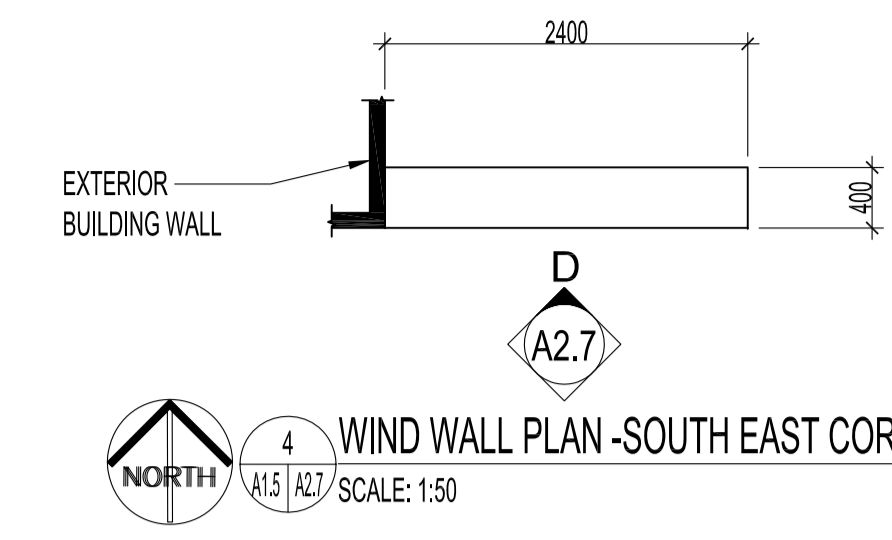
1 WIND WALL PLAN - NORTH WEST CORNER
SCALE: 1:50



2 WIND WALL PLAN - NORTH EAST CENTRAL
SCALE: 1:50

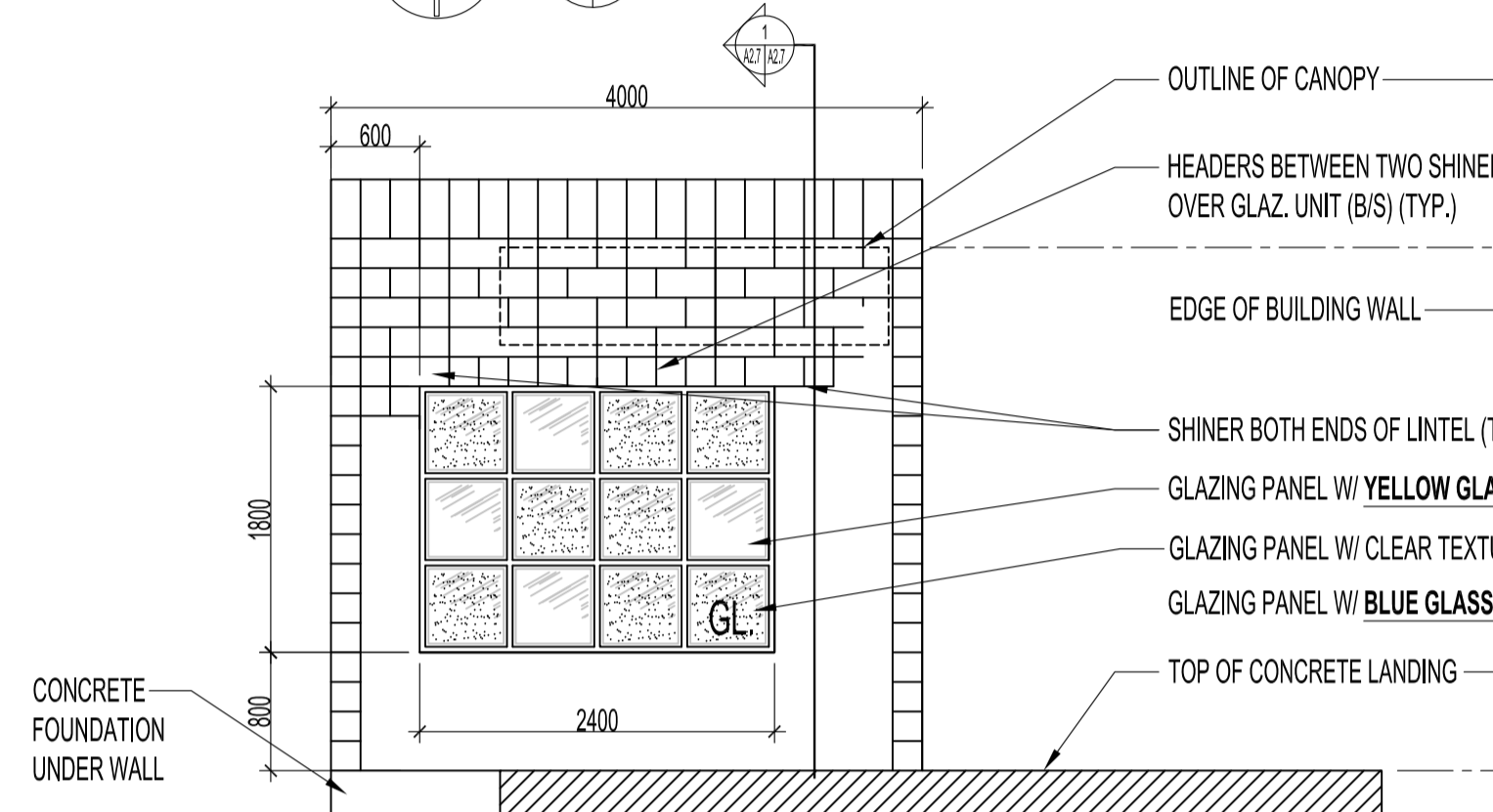


3 WIND WALL PLAN - NORTH CENTRAL
SCALE: 1:50

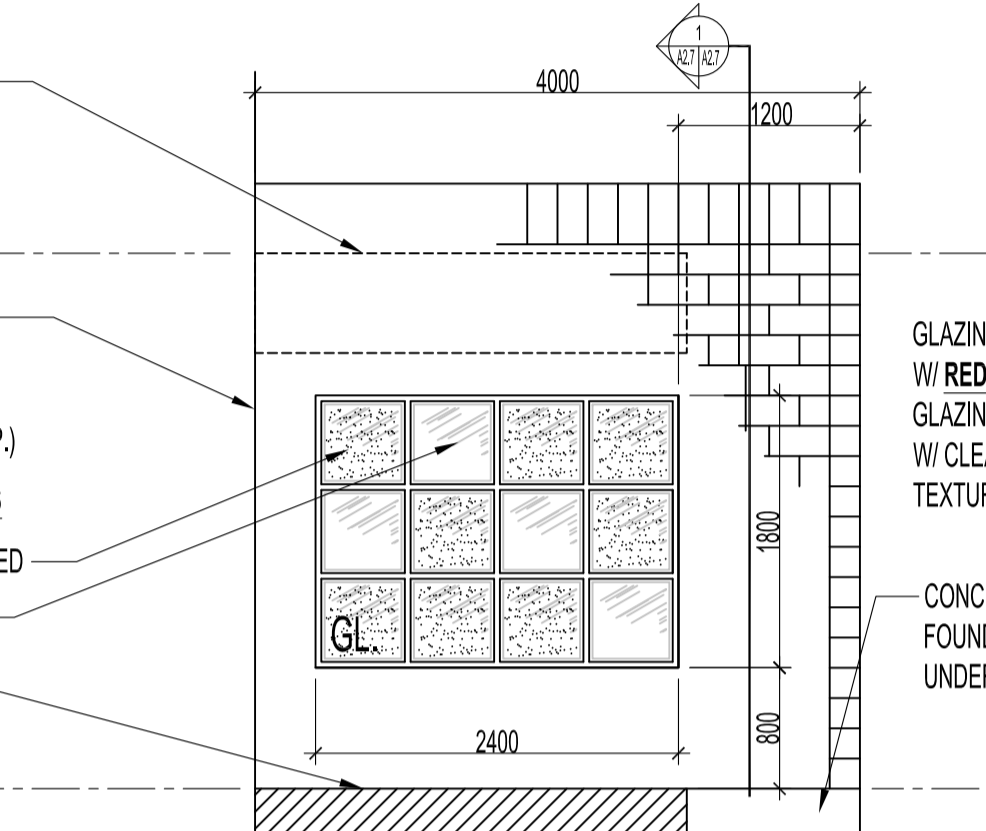


4 WIND WALL PLAN - SOUTH EAST CORNER
SCALE: 1:50

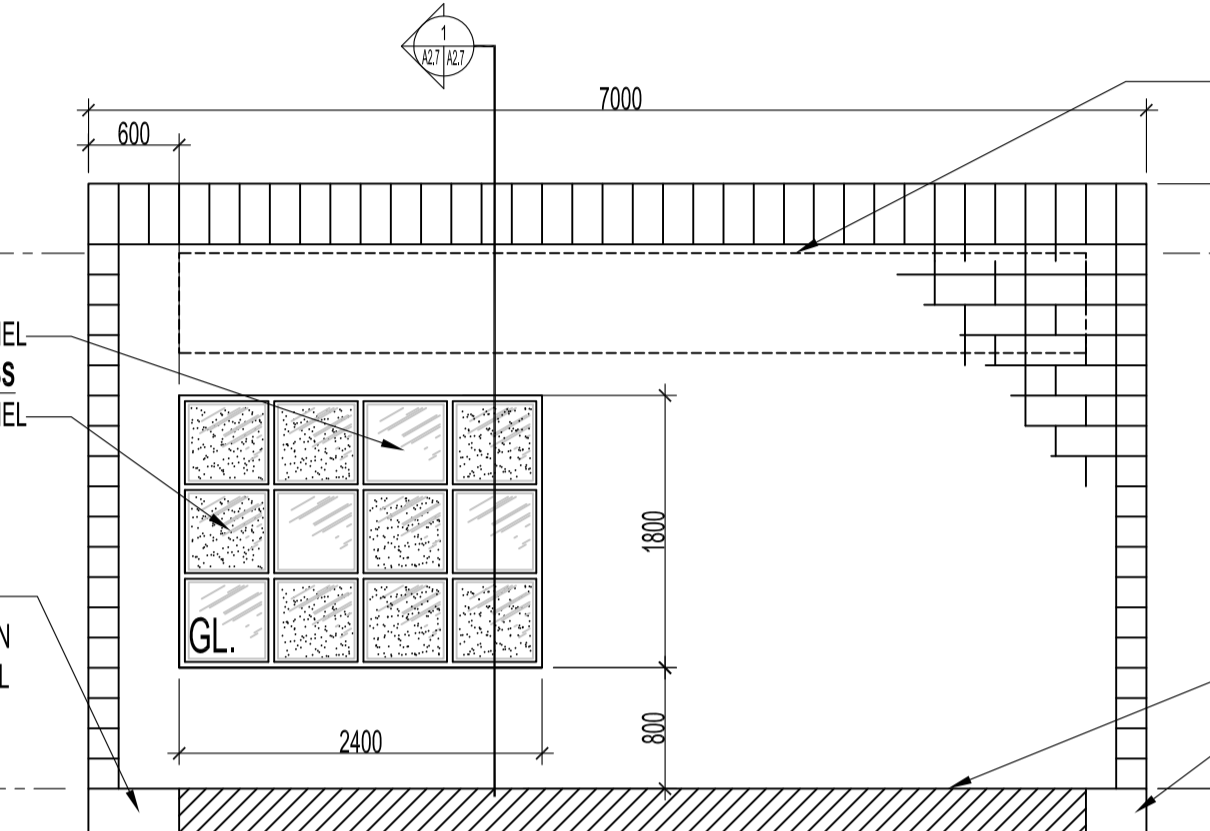
TYPICAL BLOCK LAYOUT PATTERN FOR ALL ELEVATIONS (EXCEPT GLAZING UNITS - SEE NORTHWEST CORNER ELEVATION)



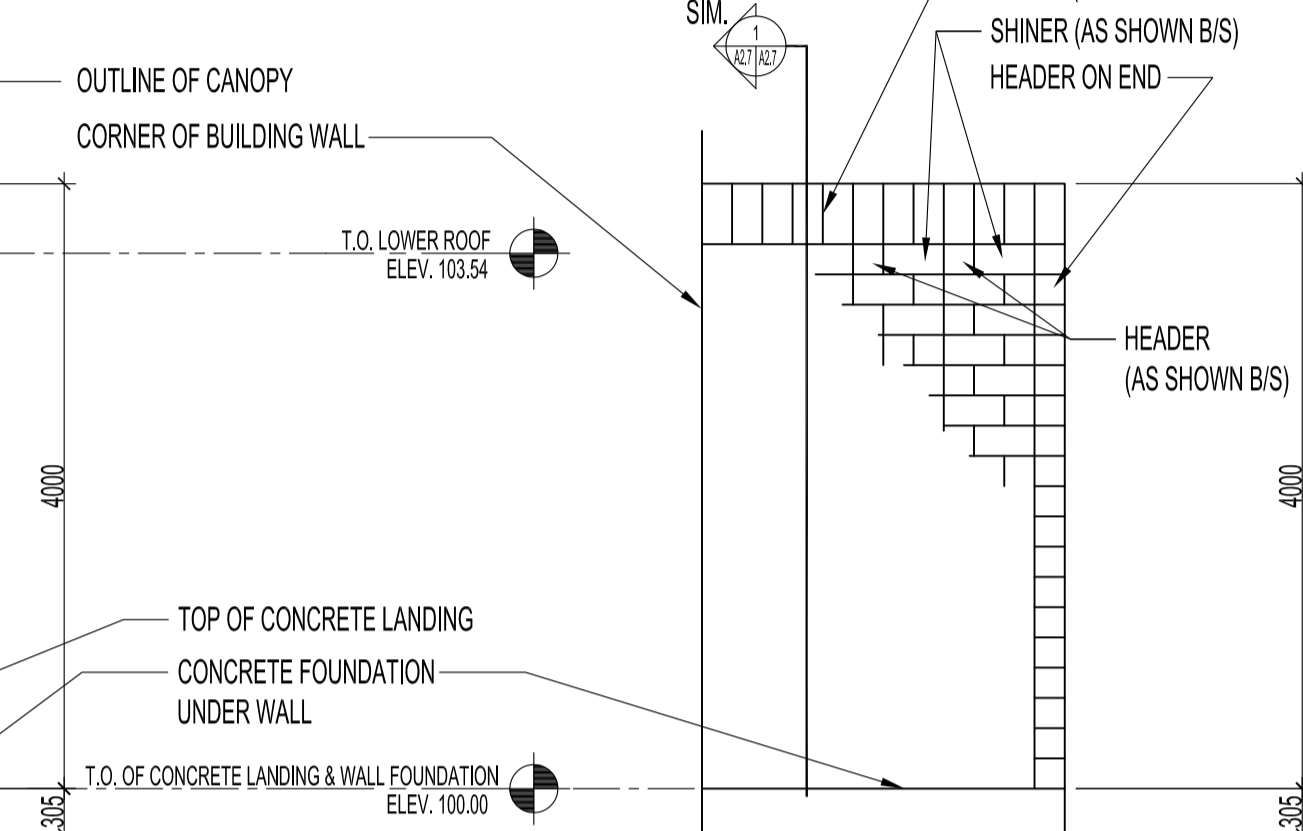
A WIND WALL ELEVATION - NORTH WEST CORNER
SCALE: 1:50



B WIND WALL ELEVATION - NORTH EAST CENTRAL
SCALE: 1:50

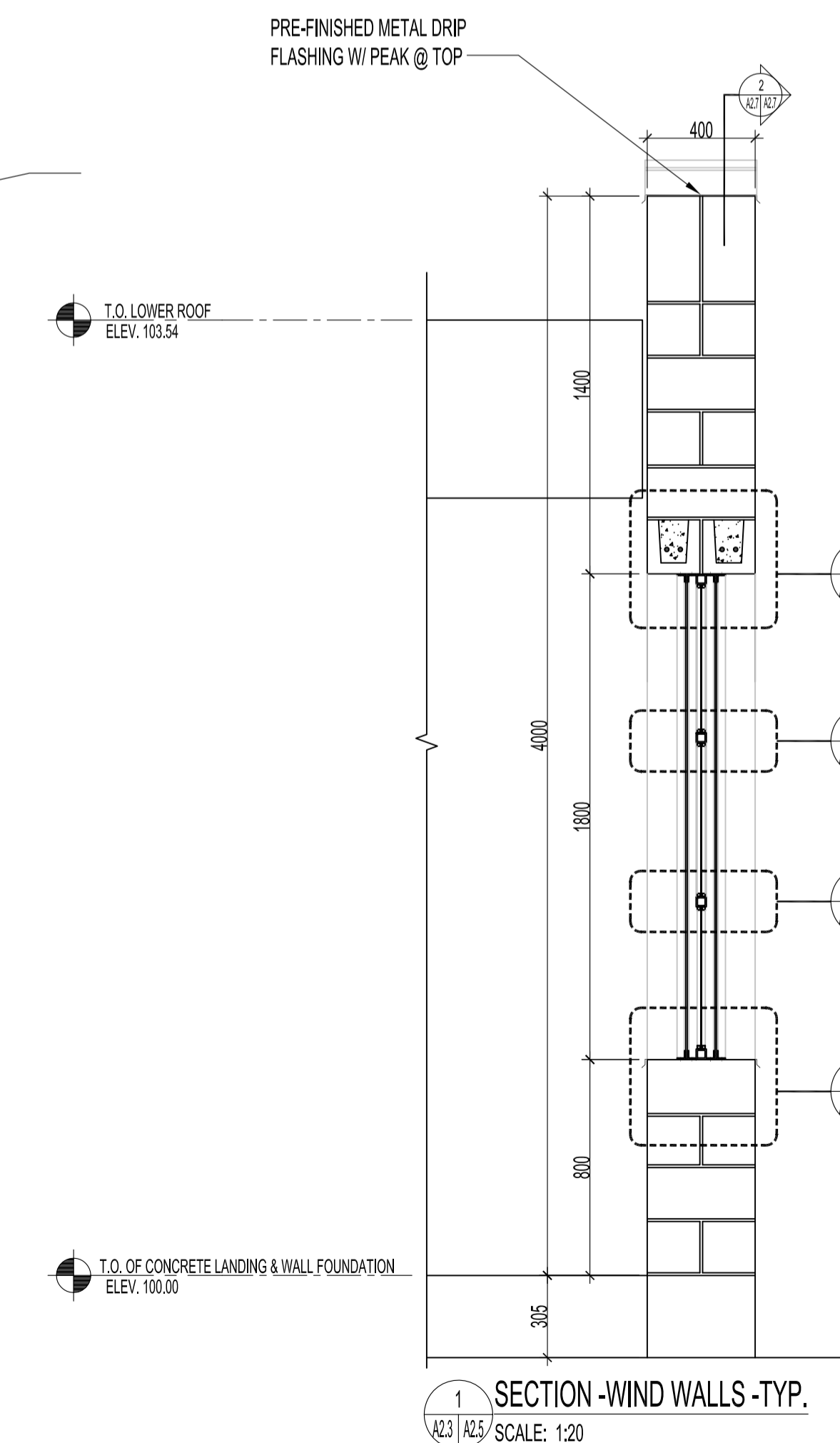


C WIND WALL ELEVATION - NORTH CENTRAL
SCALE: 1:50

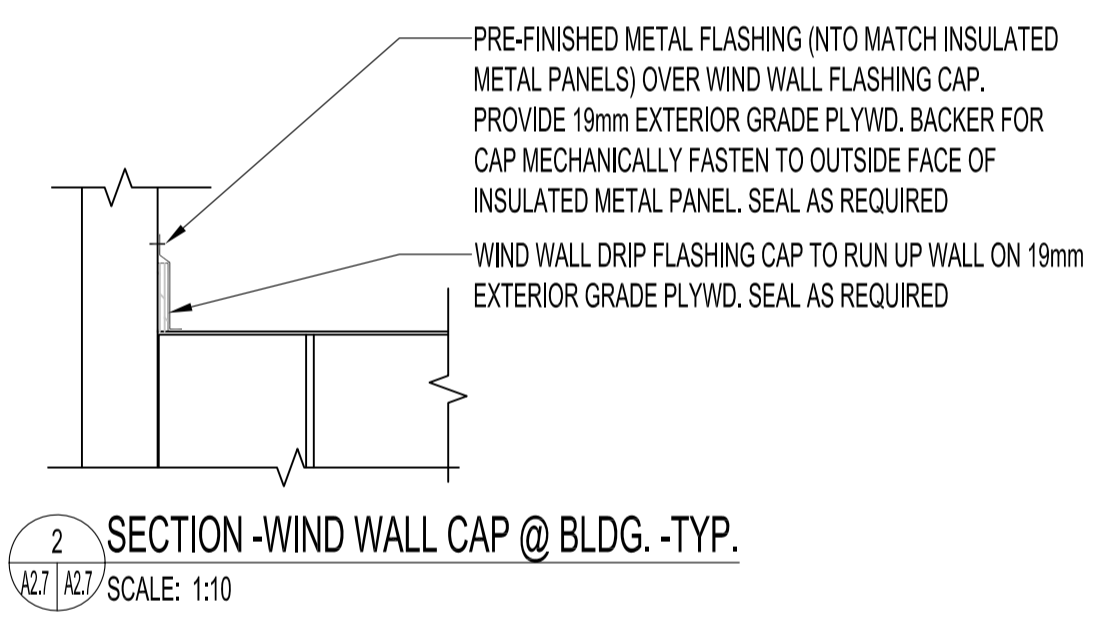


D WIND WALL ELEVATION - SOUTH EAST CORNER
SCALE: 1:50

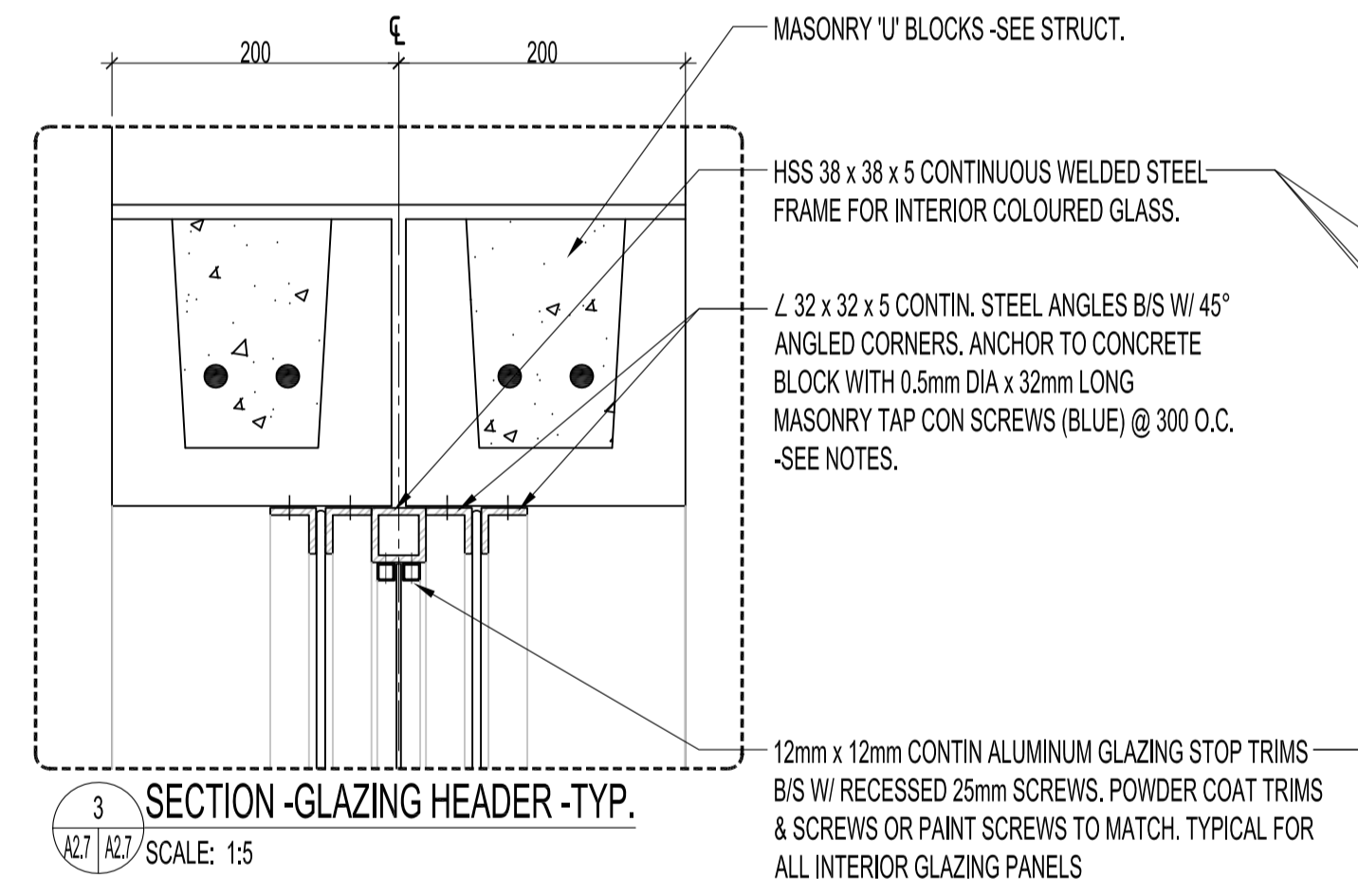
NOTES:
ALL METAL FLASHING TO BE PRE-FINISHED IN GUN METAL BLACK COLOUR.
ALL STEEL COMPONENTS TO HAVE 2 COATS METAL PRIMER & POWDER COATED IN GUN METAL BLACK.
ALL MASONRY TAP CON SCREWS TO BE PAINTED GUN METAL BLACK TO MATCH OR HAVE A POWDER COATED FINISH.
ALL COLOURED & TEXTURED CLEAR GLASS & ZINC FRAMES TO BE FROM LOCAL STAINED GLASS STUDIOS. RECOMMENDED STUDIO: PRAIRIE STUDIO GLASS 587 SARGENT AVENUE WPG. MB. R3B 1W6 (204)-783-1117 CONTACT: MATTHEW McMILLAN
COLOURS TO BE LOCATED IN LOCATIONS SHOWN ON ELEVATIONS.
COLOURS & CLEAR TEXTURED GLAZING TO BE:
YELLOW - WATER 161W
BLUE - WATER 136W
RED - WATER 151W
CLEAR TEXTURED - GRANITE
ALL GLASS FROM STUDIO TO HAVE ZINC FRAMES 12mm 'C' CHANNEL. ALL ZINC TO BE FINISHED IN A BLACK PATINA. ALL FRAMES TO HAVE 6mm SETTING BLOCKS @ TOP & BTM. OF PANELS.



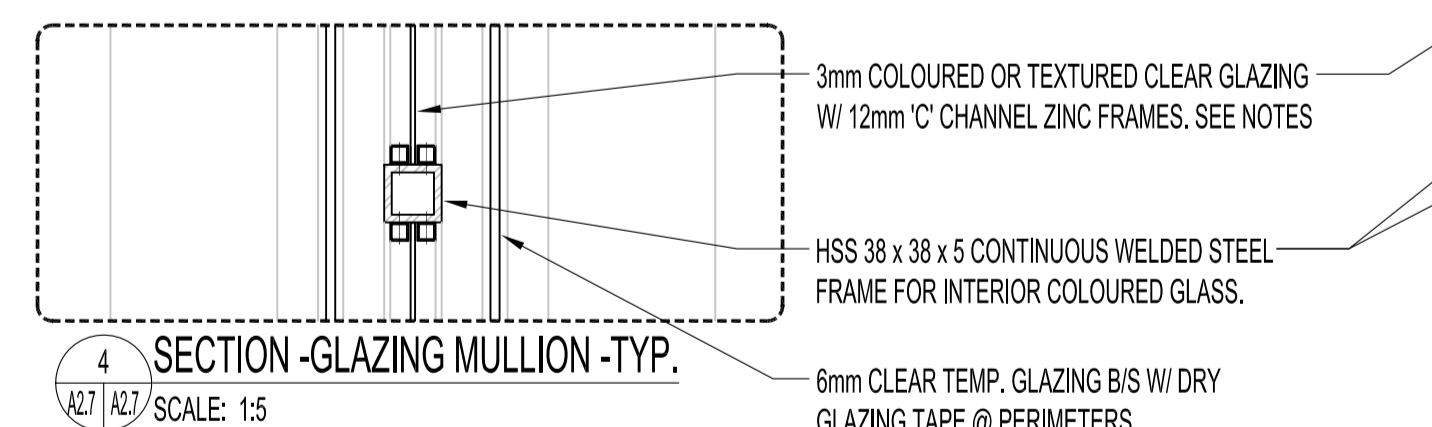
1 SECTION - WIND WALLS - TYP.
SCALE: 1:20



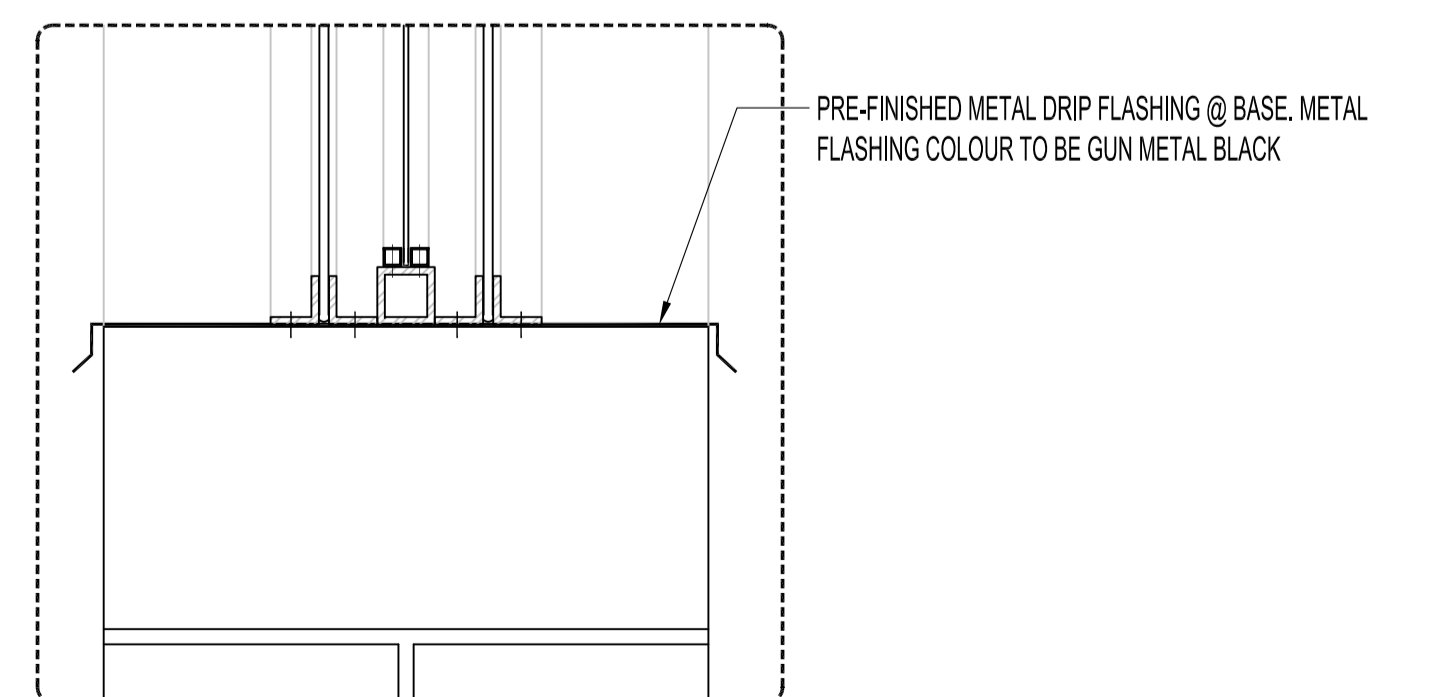
2 SECTION - WIND WALL CAP @ BLDG. - TYP.
SCALE: 1:10



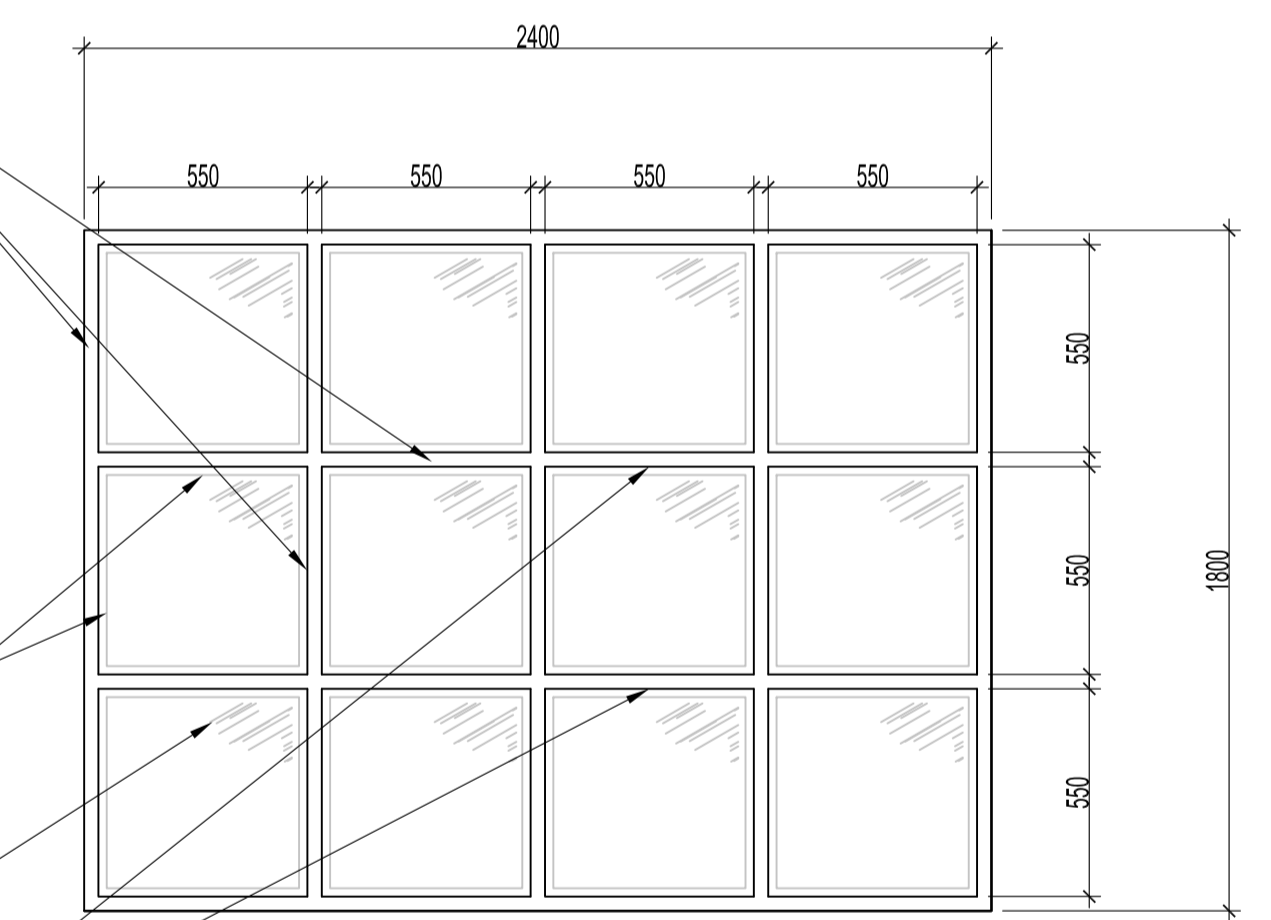
3 SECTION - GLAZING HEADER - TYP.
SCALE: 1:5



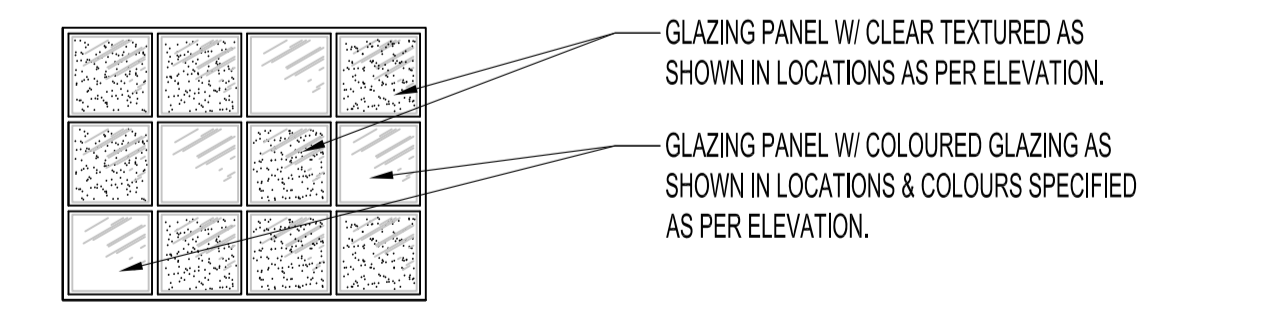
4 SECTION - GLAZING MULLION - TYP.
SCALE: 1:5



5 SECTION - GLAZING SILL - TYP.
SCALE: 1:5



ELEVATION - TYPICAL GLAZING PANEL
SCALE: 1:20



ELEVATION - TYPICAL GLAZING PANEL TYPES
SCALE: 1:50

0	ISSUED FOR CONSTRUCTION	MMK	MAR 17, 2017
No.	REVISION/DESCRIPTION	BY	DATE



DRAWN	MMK	CHECKED	DESIGNED	APPROVED
DATE	2016.08.30	USER APPROVAL		

THE CITY OF WINNIPEG
PLANNING, PROPERTY AND DEVELOPMENT DEPARTMENT
MUNICIPAL ACCOMMODATIONS DIVISION
3-65 GARRY STREET, R3C 4K4

PROJECT
BRADY ROAD LANDFILL
ADMINISTRATION BUILDING
DEVELOPMENT FOR BRADY LANDFILL
1777 BRADY ROAD

SHEET TITLE
WIND WALLS
PLANS, ELEVATION & SECTIONS

SCALE	PROJECT No:	SHEET No:
AS SHOWN	2015-037	A2.7