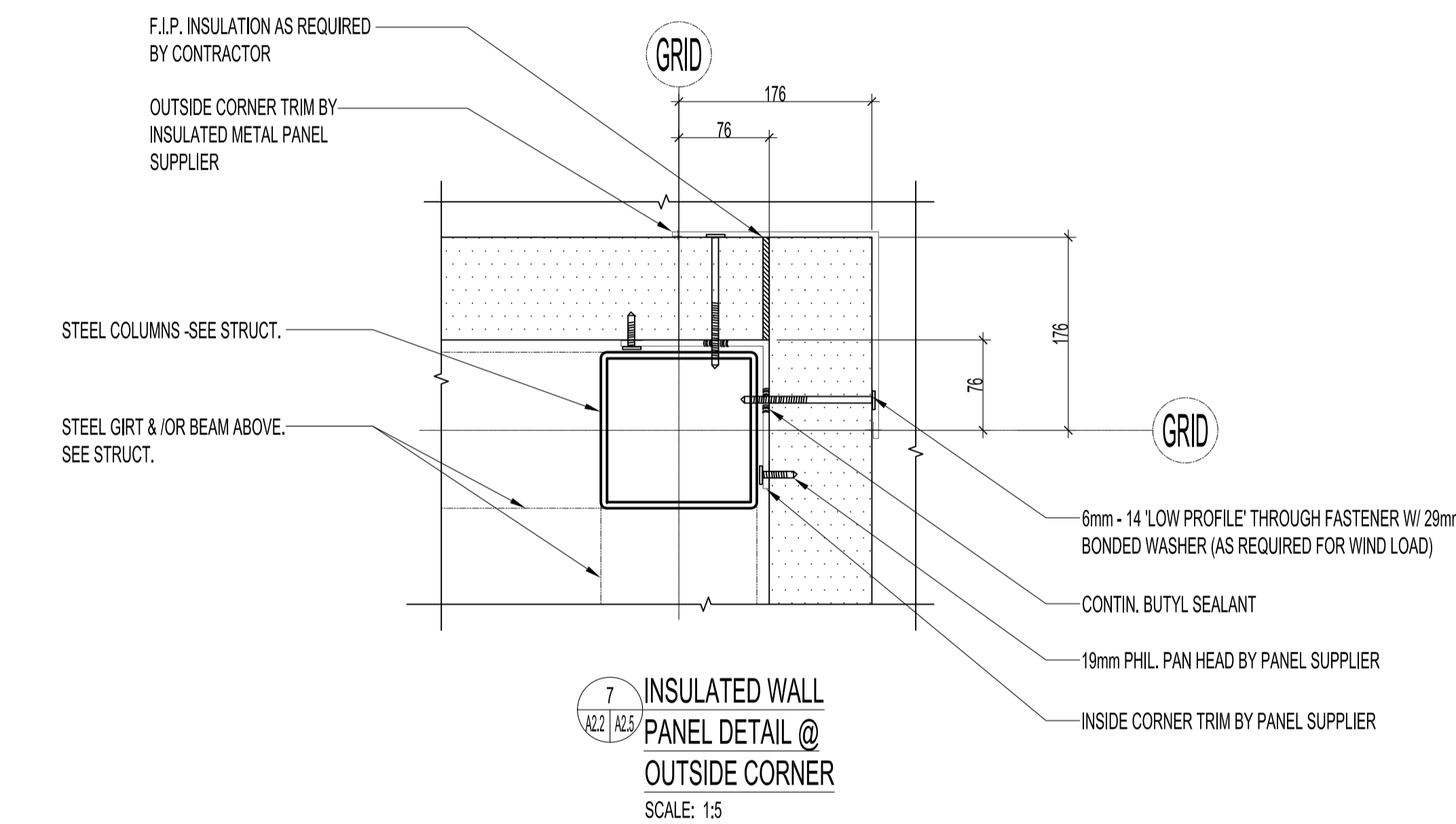
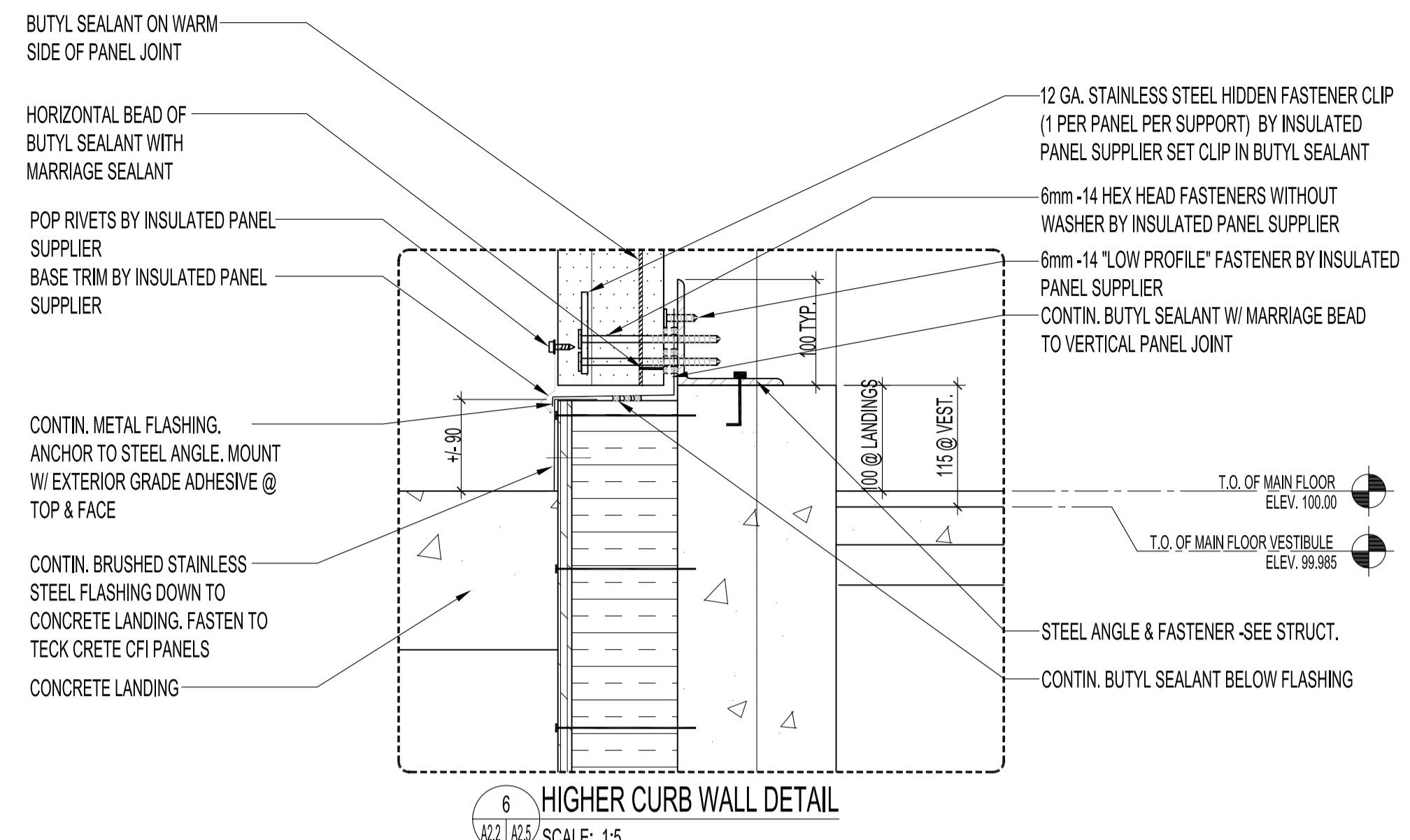
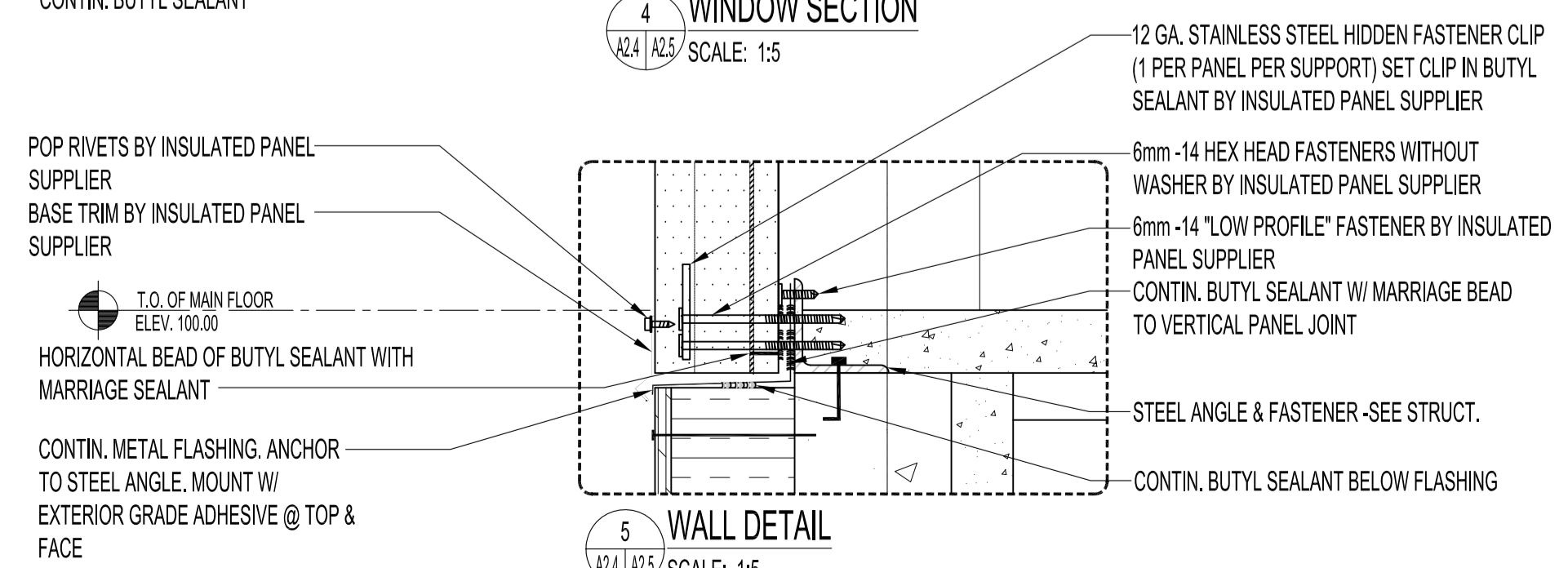
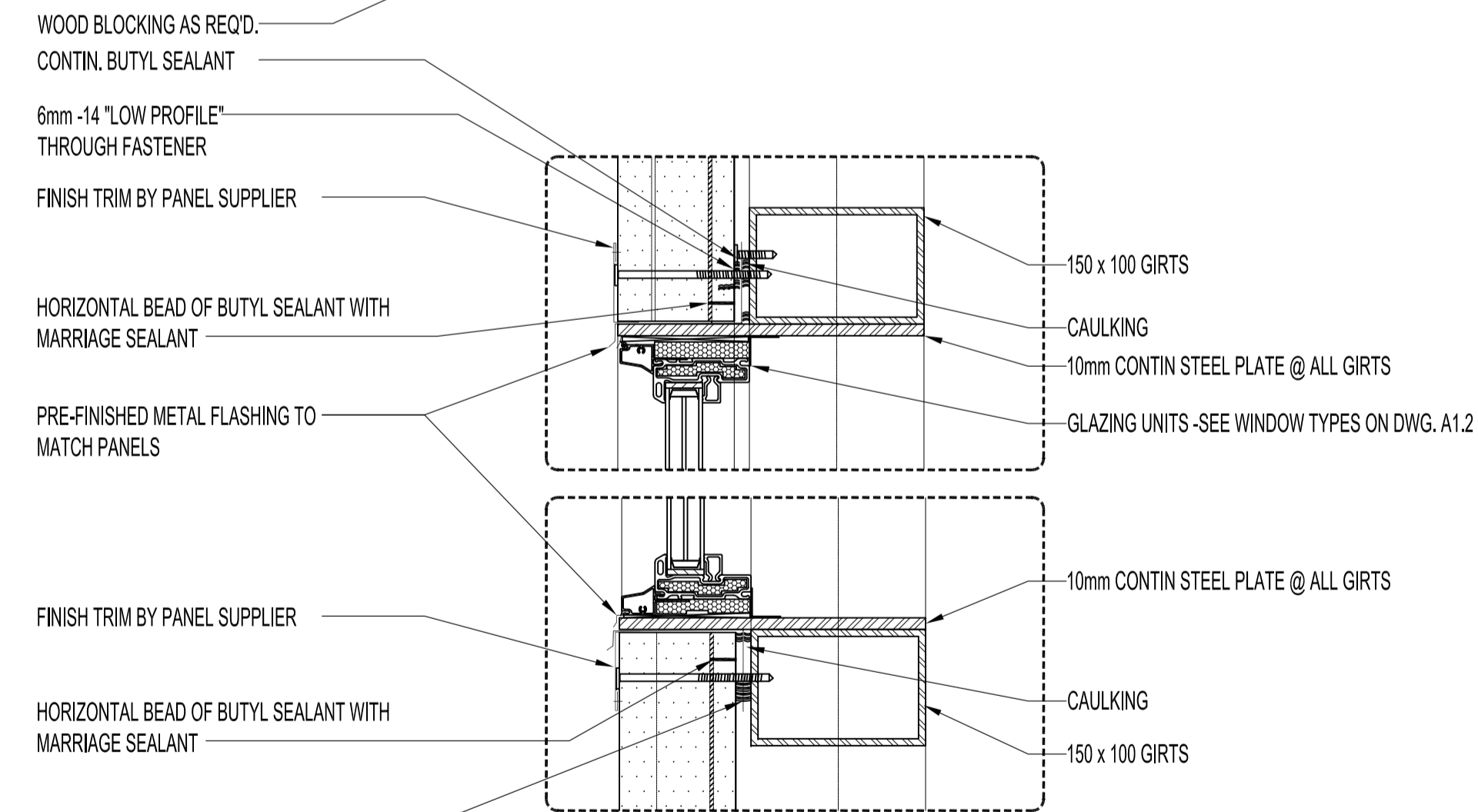
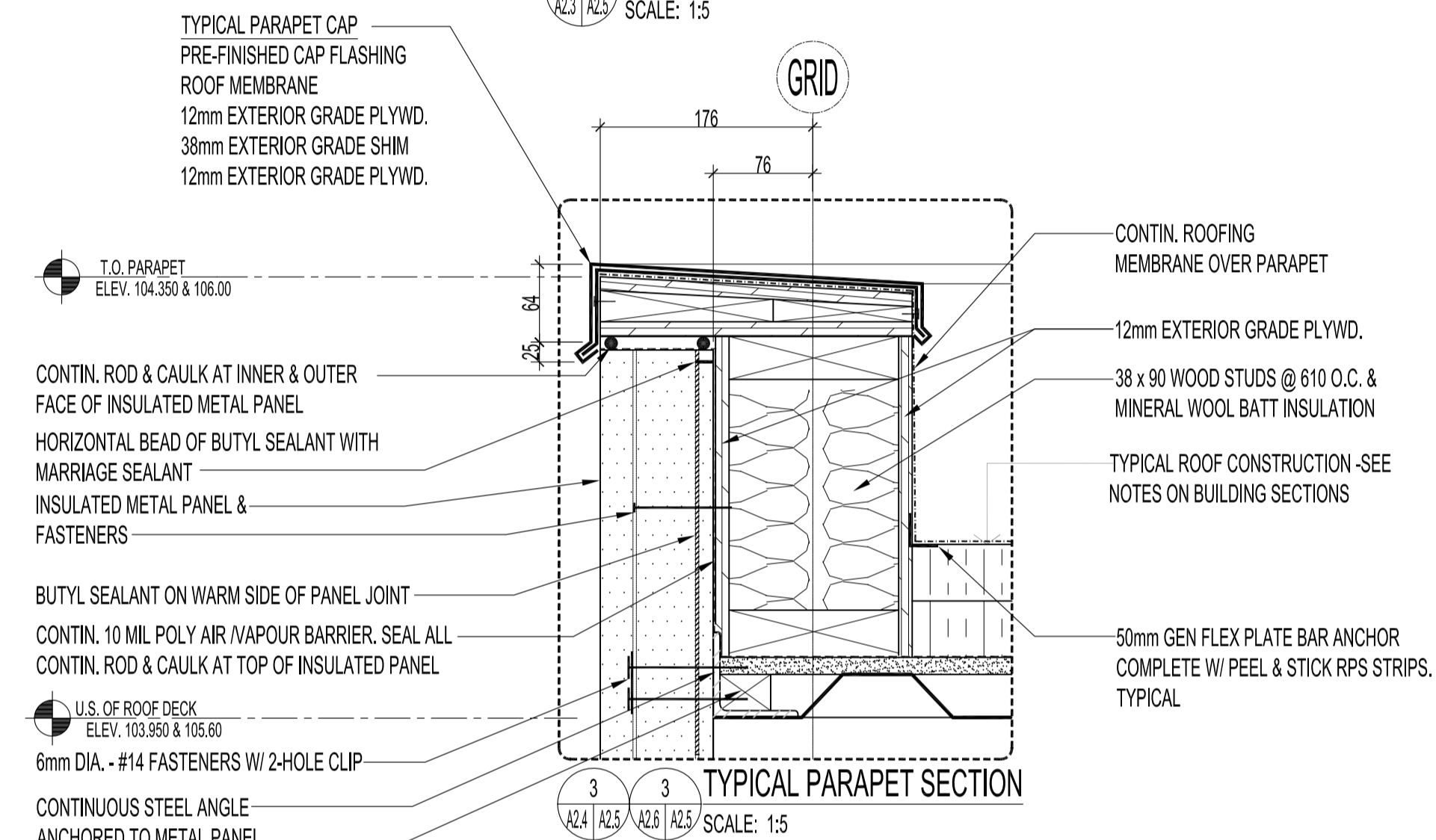
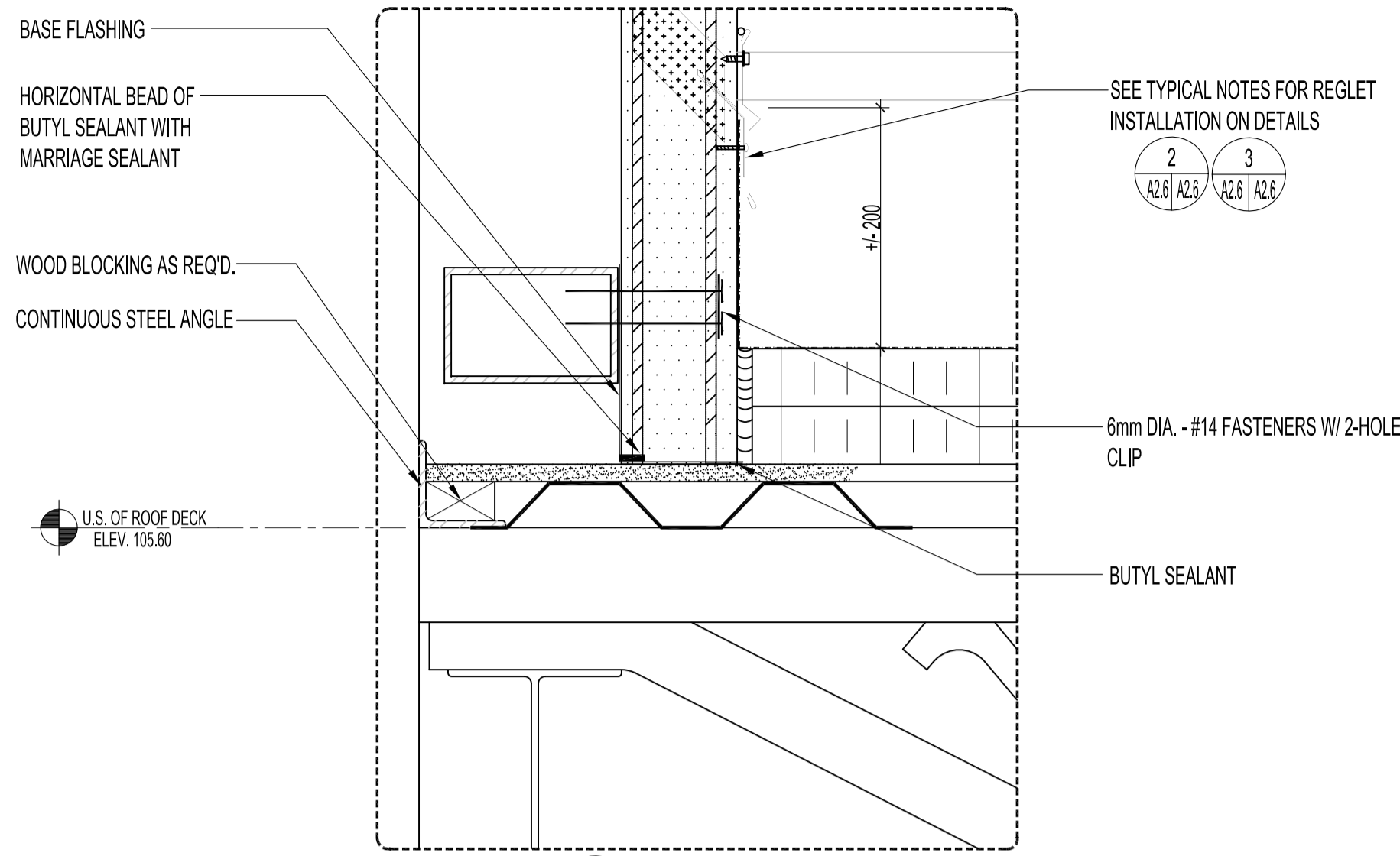


NOTES:



0	ISSUED FOR CONSTRUCTION	MMK	MAR 17, 2017
No.	REVISION/DESCRIPTION	BY	DATE



DRAWN	CHECKED	DESIGNED	APPROVED
DATE 2016.08.30	USER APPROVAL		

THE CITY OF WINNIPEG
PLANNING, PROPERTY AND
DEVELOPMENT DEPARTMENT
MUNICIPAL ACCOMMODATIONS DIVISION
3-65 GARRY STREET, R3C 4K4

PROJECT
BRADY ROAD LANDFILL
ADMINISTRATION BUILDING
DEVELOPMENT FOR BRADY LANDFILL
1777 BRADY ROAD

SHEET TITLE
ROOF SECTION,
PARAPET SECTION,
WALL SECTION

SCALE AS SHOWN	PROJECT No: 2015-037	SHEET No: A2.5
----------------	----------------------	----------------