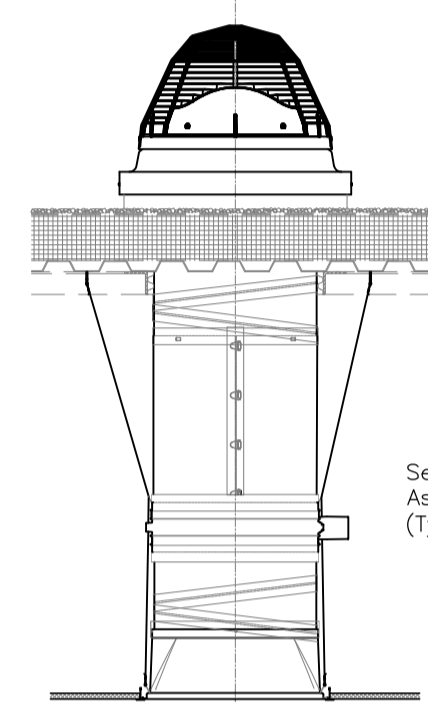


REFERENCE NOTES:

- 1 PLUMBING STACKS. SEE MECH. DRAWINGS.
- 2 AIR RETURN SHAFTS, & AIR RELIEF SHAFTS. SEE MECH DRAWINGS.
- 3 FAIL SAFE ANCHORS. SEE STRUCT DRAWINGS.
- 4 BUILD UP ROOF AREAS AS SHOWN SLOPED.
- 5 POTABLE WATER VENT FROM BASEMENT

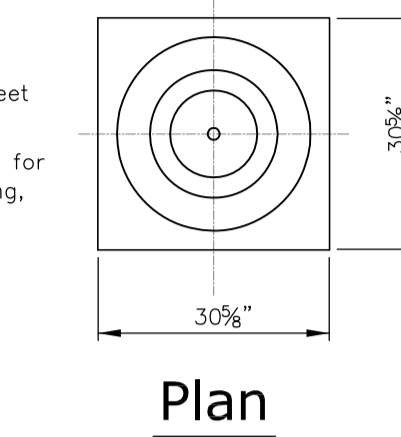
General Notes

1. This drawing emphasizes the TCC curb flashed VELUX SUN TUNNEL Skylight. It illustrates a general arrangement layout (plus recommendations) for a VELUX TCC installation in a 0-60 degree roof pitch application utilizing either a suspended acoustical tile or grid ceiling installation.
2. The architectural/structural design and specifications for the inclusion of a tubular daylighting device, such as the VELUX TCC, in any roofing/ceiling application is determined and provided by others. The design criteria includes, but is not limited to design loads, structural configurations, structural framing member sizes and material, architectural finishes and integration with the roofing/ceiling systems of the building. VELUX assumes no responsibility or liability in the design, construction and performance of a building structure by others.
3. Secure eye screws/bolts to the roofing structure and attach suspension wire to connect to clips at end of tunnel section.
4. Secure suspension wires to the ceiling adaptor assembly & eyebolts.
5. Dimensions shown are nominal, unless indicated otherwise.
6. Product specific dimensions are referenced in the TCC Product Data Sheet documentation.
7. The minimum commercial roof opening for tunnel installation is 22"x22" for straight tunnels. Some tunnel configurations may require a larger opening, not to exceed 26 1/2"x26 1/2".

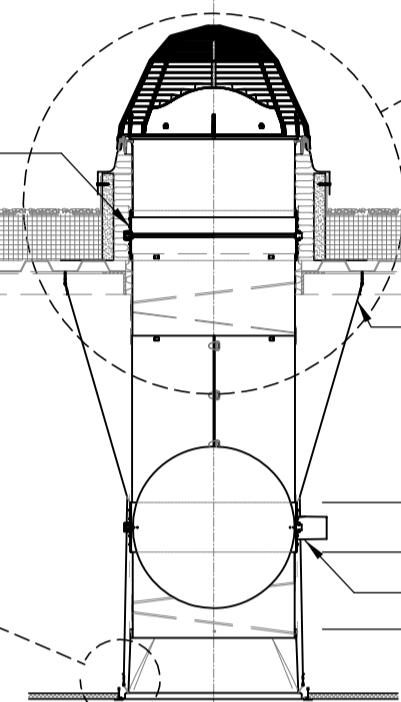


Elevation

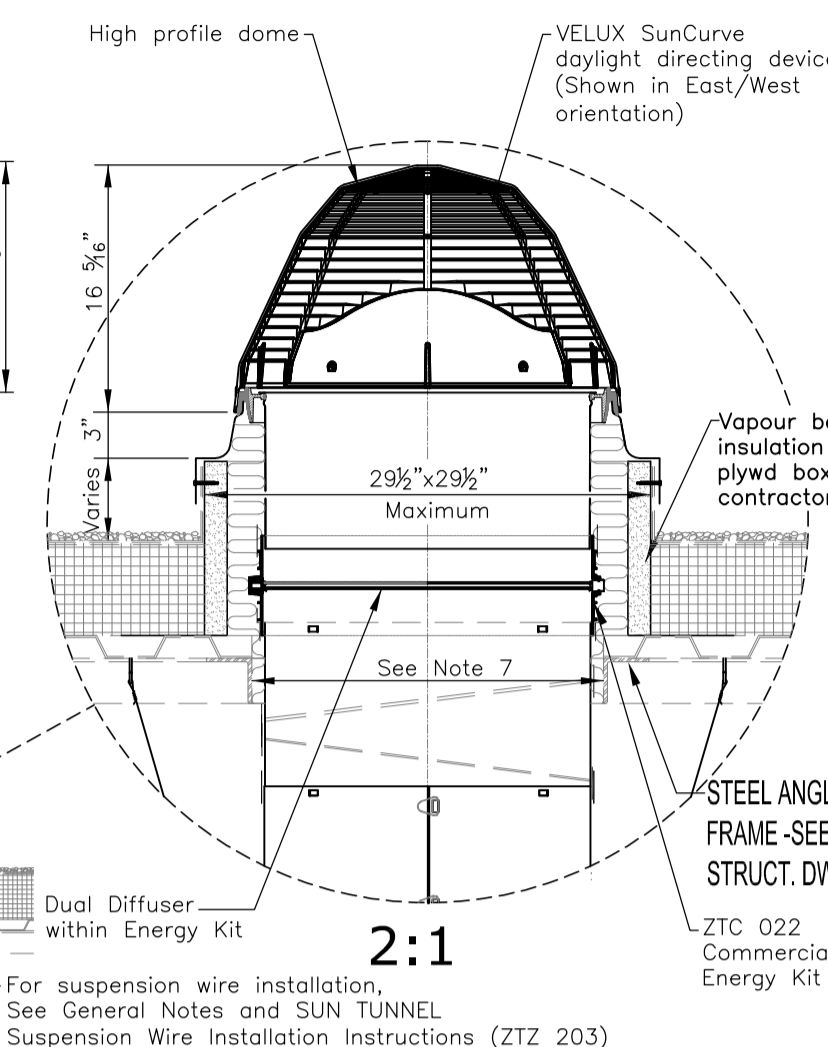
Suspended Acoustical Tile /Grid Ceiling Installation 4:1



Plan



Cross Section



General Arrangement Layout

**VELUX**  
1418 Evans Pond Road  
Greensboro, NC 27449  
1-800-88-VELUX  
www.VELUXUSA.com

VELUX Canada Western Office  
#2130 - 550 Sherway Place  
Port Coquitlam, BC V3B 0J6  
Phone: 604-468-0300

VELUX Canada Head Office  
2740 Sherwood Heights Drive  
Oakville, ON L6L 7Y5  
Phone: 1-800-888-3589

Commercial SUN TUNNEL Skylight  
TCC 022 w/ TTK 022, TTC 022,  
ZTP 022, ZTC 022

TCC 022-06-0715

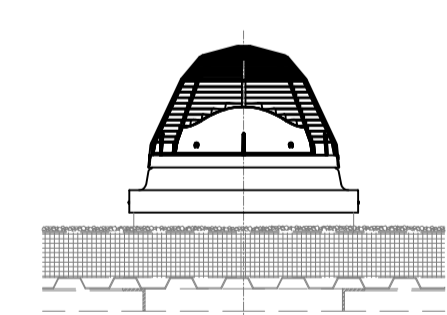
© 2015 VELUX GROUP

TCC 022 Components	Quantity
<b>TCC 022 3000</b> • Acrylic Dome • SunCurve light directing device • Counter flashing assembly • Top collar (16"/.41m) • Hardware bag • Option • TCC 022 5000 - Impact Polycarbonate dome	
<b>TTK 022</b> • 24"/.61m Rigid tunnel • (2) 16"/.41m Rigid elbows • Tape for tunnel joints • Hardware bag	
<b>TTC 022 0002</b> • Ceiling adaptor assembly with prismatic diffuser • Tape for tunnel joints • Gasket material for diffuser • Hardware bag • Suspension wire • Options • TTC 022 0000 - Frosted diffuser	
<b>ZTP 022</b> • Daylight Controller • KES 160 Control System also required for control & power to ZTP 022	
<b>ZTC 022</b> • Commercial Energy Kit	

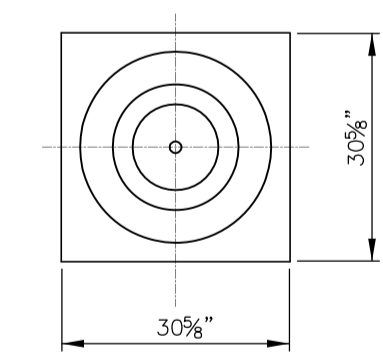
2 SKY TUNNEL SECTION SCALE: N.T.S.

General Notes

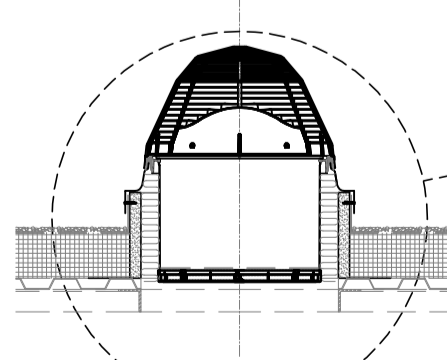
1. This drawing emphasizes the TCC curb flashed VELUX SUN TUNNEL Skylight. It illustrates a general arrangement layout (plus recommendations) for a VELUX TCC installation in a 0-60 degree roof pitch application utilizing an open ceiling installation.
2. The architectural/structural design and specifications for the inclusion of a tubular daylighting device, such as the VELUX TCC, in any roofing/ceiling application is determined and provided by others. The design criteria includes, but is not limited to design loads, structural configurations, structural framing member sizes and material, architectural finishes and integration with the roofing/ceiling systems of the building. VELUX assumes no responsibility or liability in the design, construction and performance of a building structure by others.
3. Secure eye screws/bolts to the roofing structure and attach suspension wire to connect to clips at end of tunnel section.
4. Secure suspension wires to the ceiling adaptor assembly & eyebolts.
5. Dimensions shown are nominal, unless indicated otherwise.
6. Product specific dimensions are referenced in the TCC Product Data Sheet documentation.
7. The minimum commercial roof opening for tunnel installation is 22"x22" for straight tunnels. Some tunnel configurations may require a larger opening, not to exceed 26 1/2"x26 1/2".



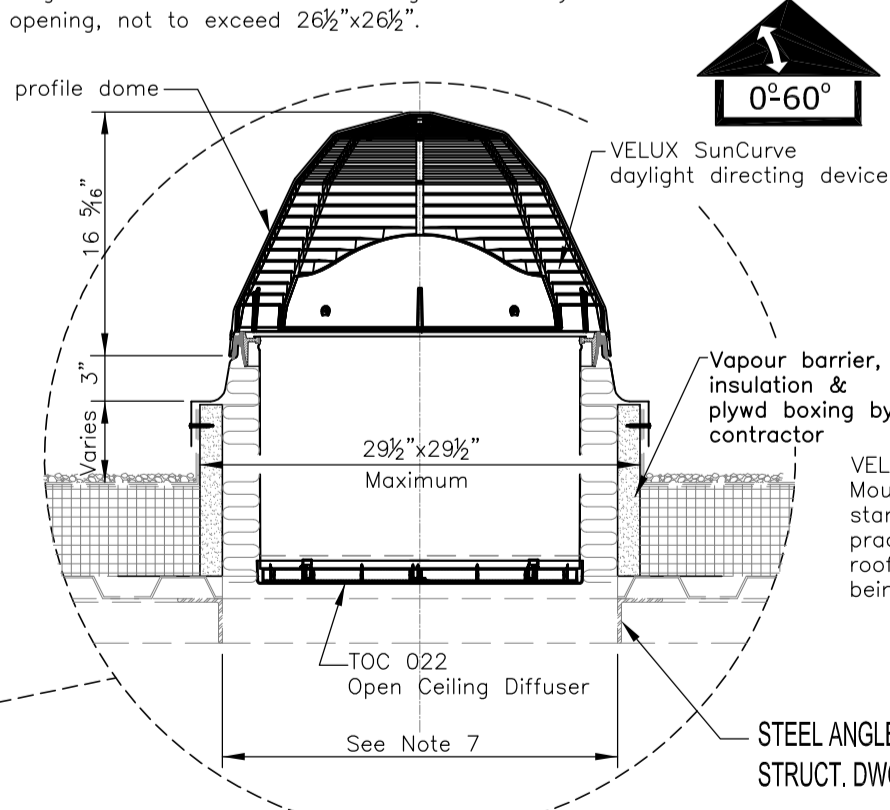
Elevation



Plan



Cross Section TOC 022 Open Ceiling Diffuser



General Arrangement Layout

**VELUX**  
1418 Evans Pond Road  
Greensboro, NC 27449  
1-800-88-VELUX  
www.VELUXUSA.com

VELUX Canada Western Office  
#2130 - 550 Sherway Place  
Port Coquitlam, BC V3B 0J6  
Phone: 604-468-0300

VELUX Canada Head Office  
2740 Sherwood Heights Drive  
Oakville, ON L6L 7Y5  
Phone: 1-800-888-3589

Commercial SUN TUNNEL Skylight  
TCC 022 w/ TOC 022  
& optional ZTR 022, TTK 022

TCC 022-01-0715

© 2015 VELUX GROUP

TCC 022 Components	Quantity
<b>TCC 022 3000</b> • Acrylic Dome • VELUX SunCurve daylight directing device • Counter flashing assembly • Top collar (16"/.41m) • Aluminum tape (length 16"/.41m) for top collar • Hardware bag • Option • TCC 022 5000 - Impact Polycarbonate dome	
<b>TOC 022 Open Ceiling Diffuser</b> • TOC 022 0002 - Prismatic Diffuser • Options • TOC 022 0000 - Frosted diffuser	
<b>Option: TTK 022</b> • 24"/.61m Rigid tunnel • Tape for tunnel joints • Suspension wire • Hardware bag	

3 SKY TUNNEL SECTION SCALE: N.T.S.

0	ISSUED FOR CONSTRUCTION	MMK	MAR 17, 2017
No.	REVISION/DESCRIPTION	BY	DATE



DRAWN	CHECKED	DESIGNED	APPROVED
MMK	MMK		
DATE	2016.08.30	USER	APPROVAL

THE CITY OF WINNIPEG  
PLANNING, PROPERTY AND  
DEVELOPMENT DEPARTMENT  
MUNICIPAL ACCOMMODATIONS DIVISION  
3-65 GARRY STREET, R3C 4K4

PROJECT  
BRADY ROAD LANDFILL  
ADMINISTRATION BUILDING  
DEVELOPMENT FOR BRADY LANDFILL  
1777 BRADY ROAD

SHEET TITLE  
ROOF PLAN - NOTES & SECTIONS

SCALE	PROJECT No:	SHEET No:
AS SHOWN	2015-037	A2.0