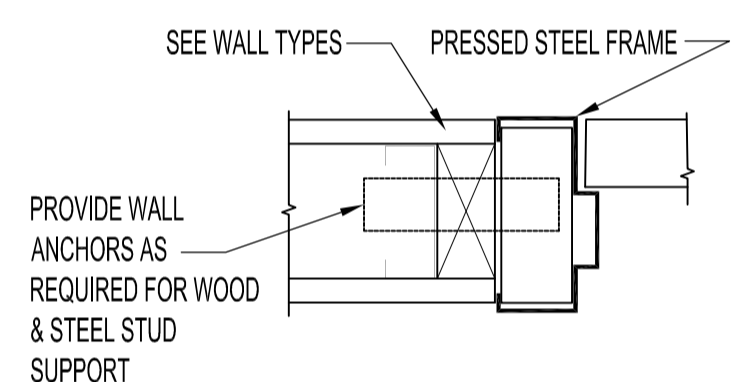
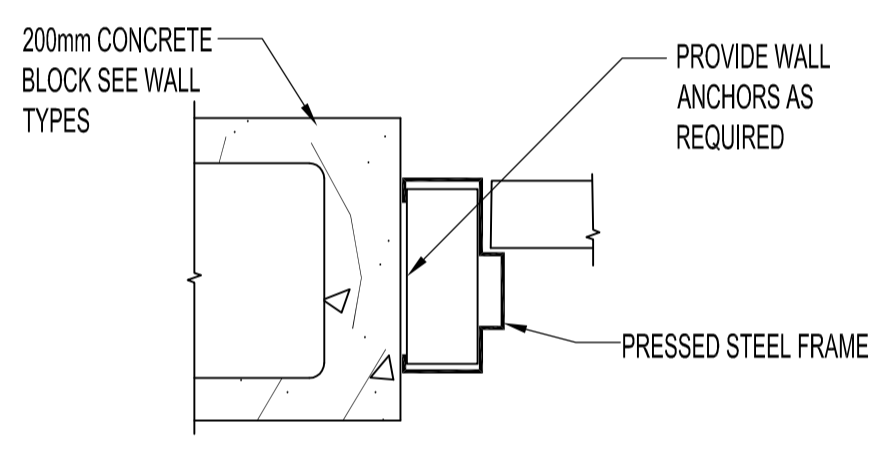


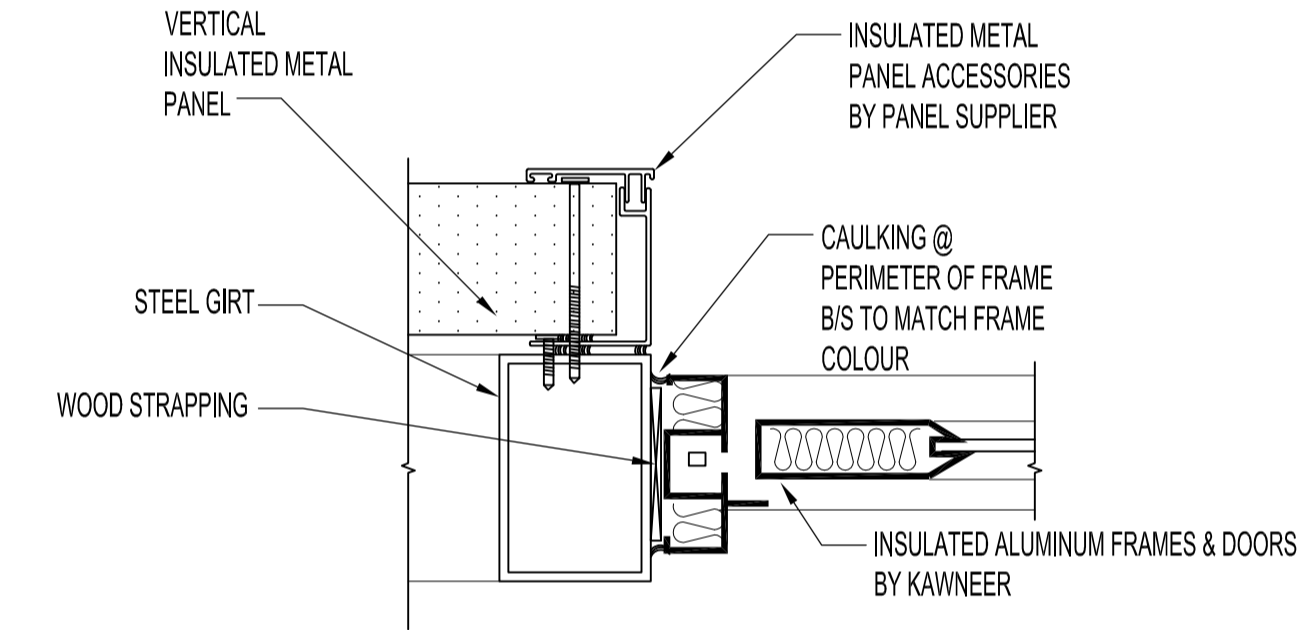
FRAME TYPES
SCALE: 1:50



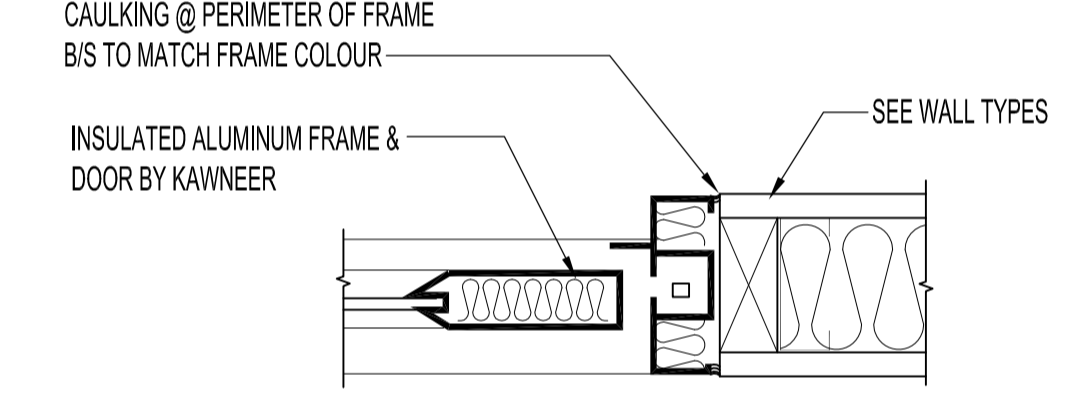
1 DOOR JAMB DETAIL -GYP. BD.
SCALE: 1:5



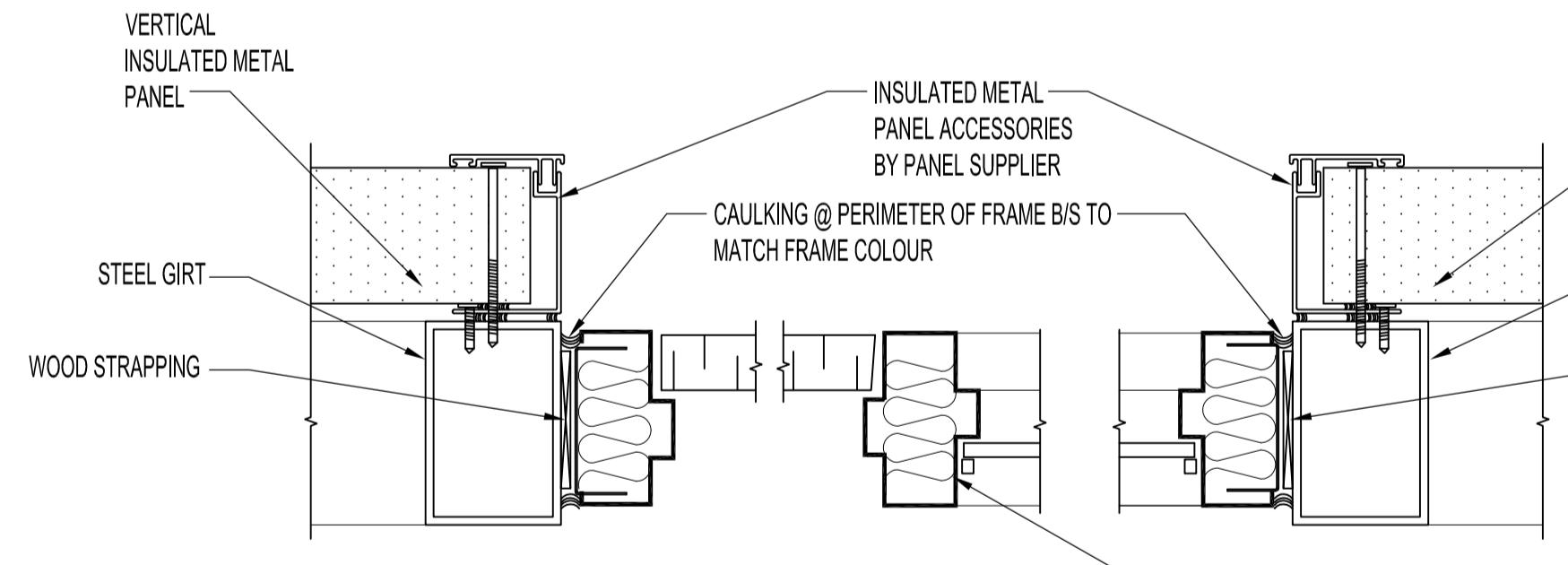
1 DOOR JAMB DETAIL -CONCRETE BLOCK
SCALE: 1:5



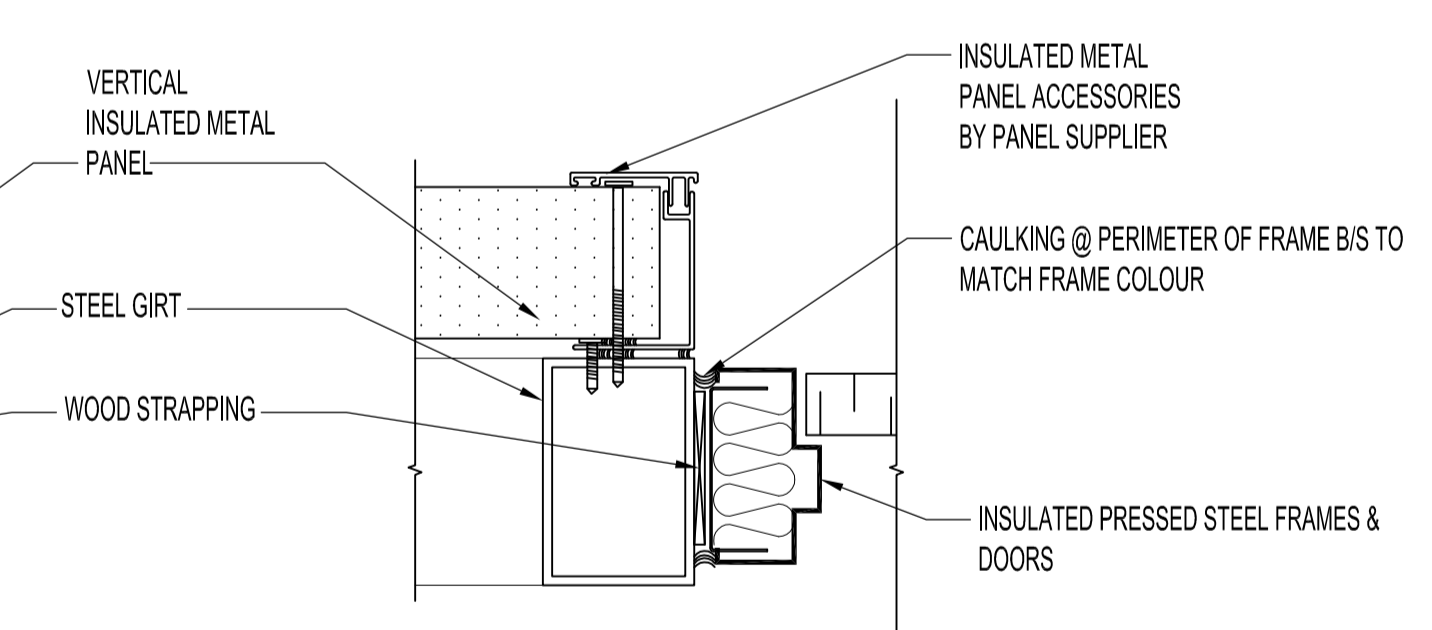
2 DOOR JAMB DETAIL -EXTERIOR -INSULATED PANEL
SCALE: 1:5



2 DOOR /WINDOW JAMB DETAIL -INTERIOR -GYP. BD WALL
SCALE: 1:5



3 DOOR JAMB DETAIL -EXTERIOR -INSULATED PANEL
SCALE: 1:5



4 DOOR HEADER /JAMB DETAIL -EXTERIOR -INSULATED PANEL
SCALE: 1:5

0	ISSUED FOR CONSTRUCTION	MMK	MAR 17, 2017
No.	REVISION/DESCRIPTION	BY	DATE



DRAWN	CHECKED	DESIGNED	APPROVED
DATE	USER	APPROVAL	
2016.08.30			

THE CITY OF WINNIPEG
PLANNING, PROPERTY AND
DEVELOPMENT DEPARTMENT
MUNICIPAL ACCOMMODATIONS DIVISION
3-65 GARRY STREET, R3C 4K4

PROJECT
BRADY ROAD LANDFILL
ADMINISTRATION BUILDING
DEVELOPMENT FOR BRADY LANDFILL
1777 BRADY ROAD

SHEET TITLE
DOOR & FRAMES TYPES

SCALE	PROJECT No:	SHEET No:
AS SHOWN	2015-037	A1.0