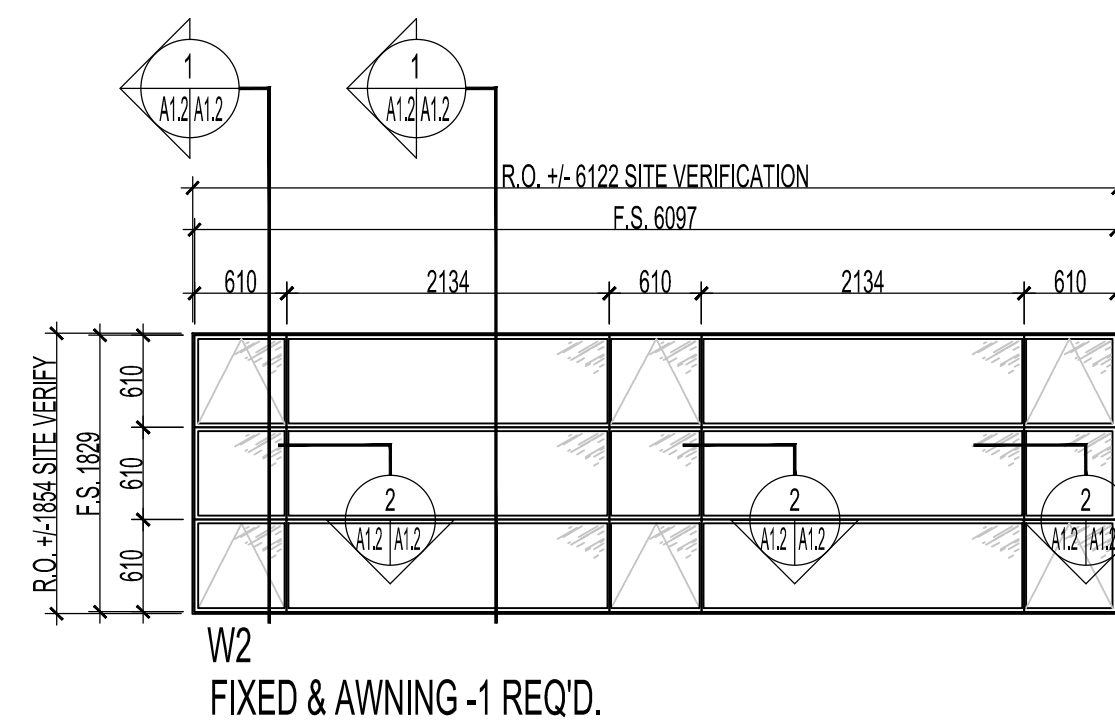
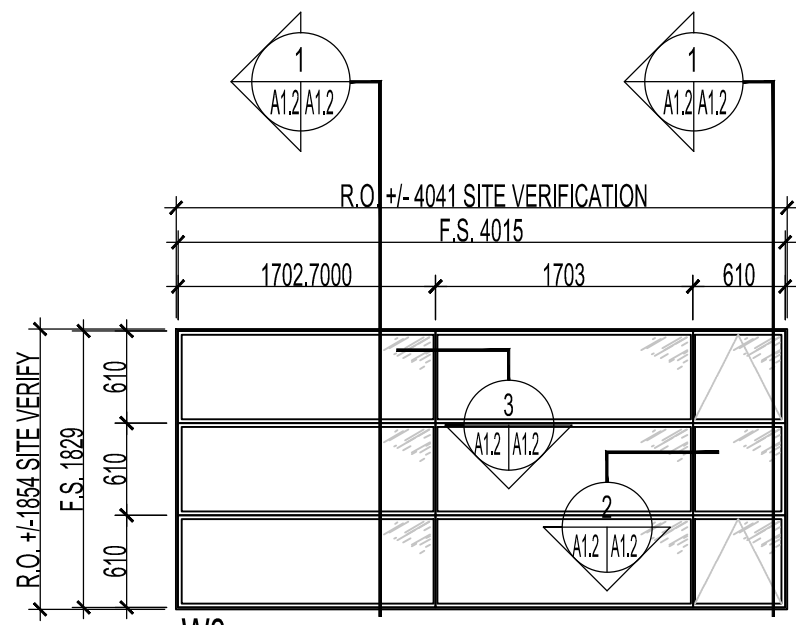


W1
FIXED & AWNING -1 REQ'D.

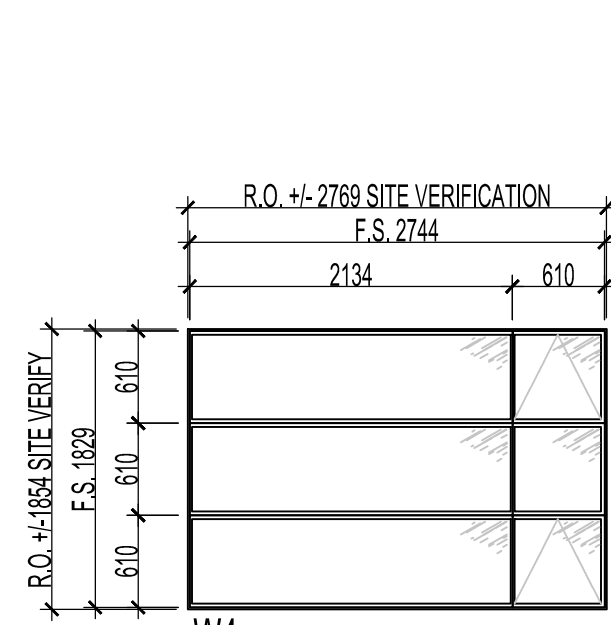


W2
FIXED & AWNING -1 REQ'D.

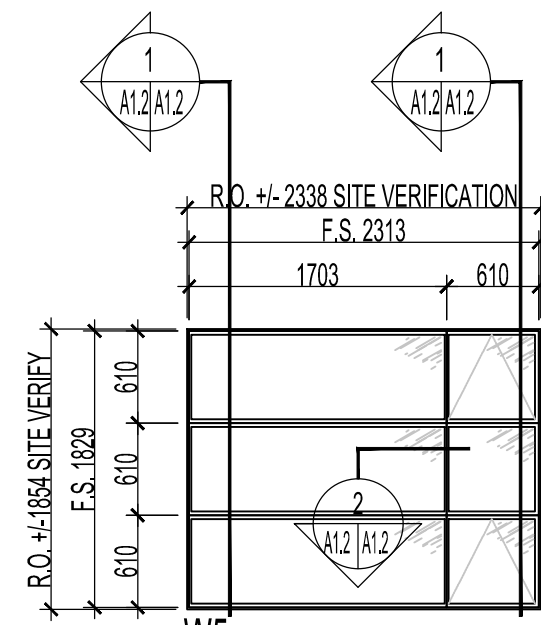
WINDOW TYPES - ALL WINDOWS TO BE TRI-PANE, FIBERGLAS FROM SILEX FIBERGLAS WINDOWS OF WINNIPEG



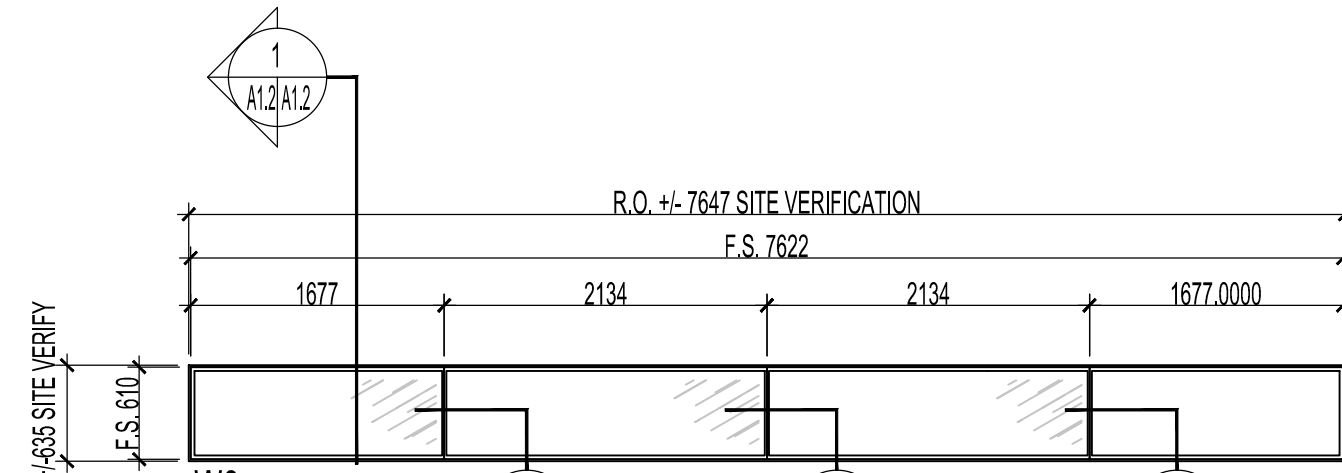
W3
FIXED & AWNING -1 REQ'D.



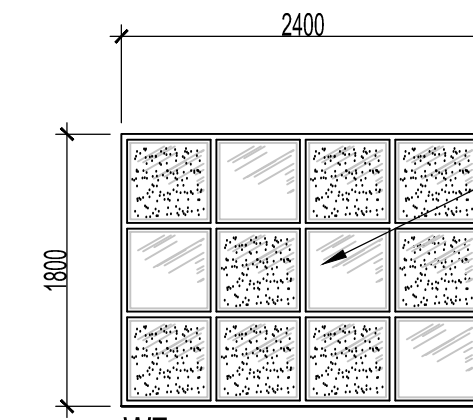
W4
FIXED & AWNING -1 REQ'D.



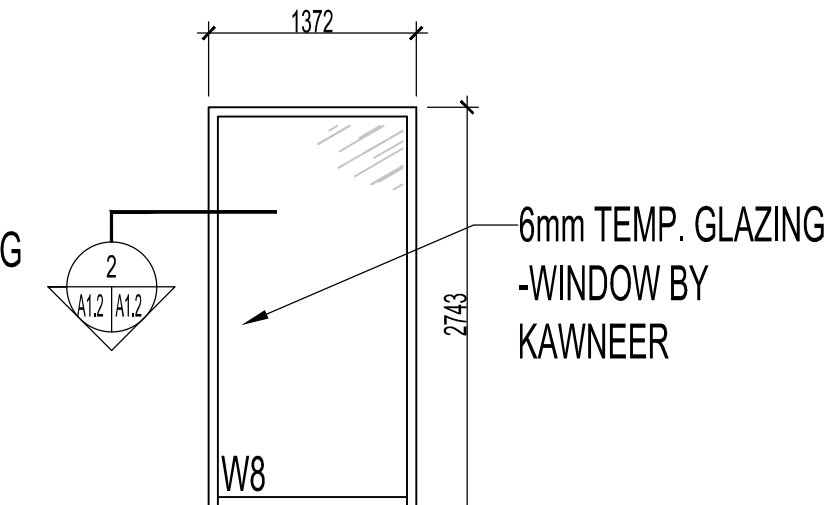
W5
FIXED & AWNING -1 REQ'D.



W6
FIXED -2 REQ'D.



W7
FIXED -3 REQ'D.



W8
FIXED -1 REQ'D. VEST. 115

6mm TEMP. GLAZING
PANELS B/S - SEE
WIND WALL DWGS
FOR DETAILS

6mm TEMP. GLAZING
- WINDOW BY
KAWNEER

NOTES:

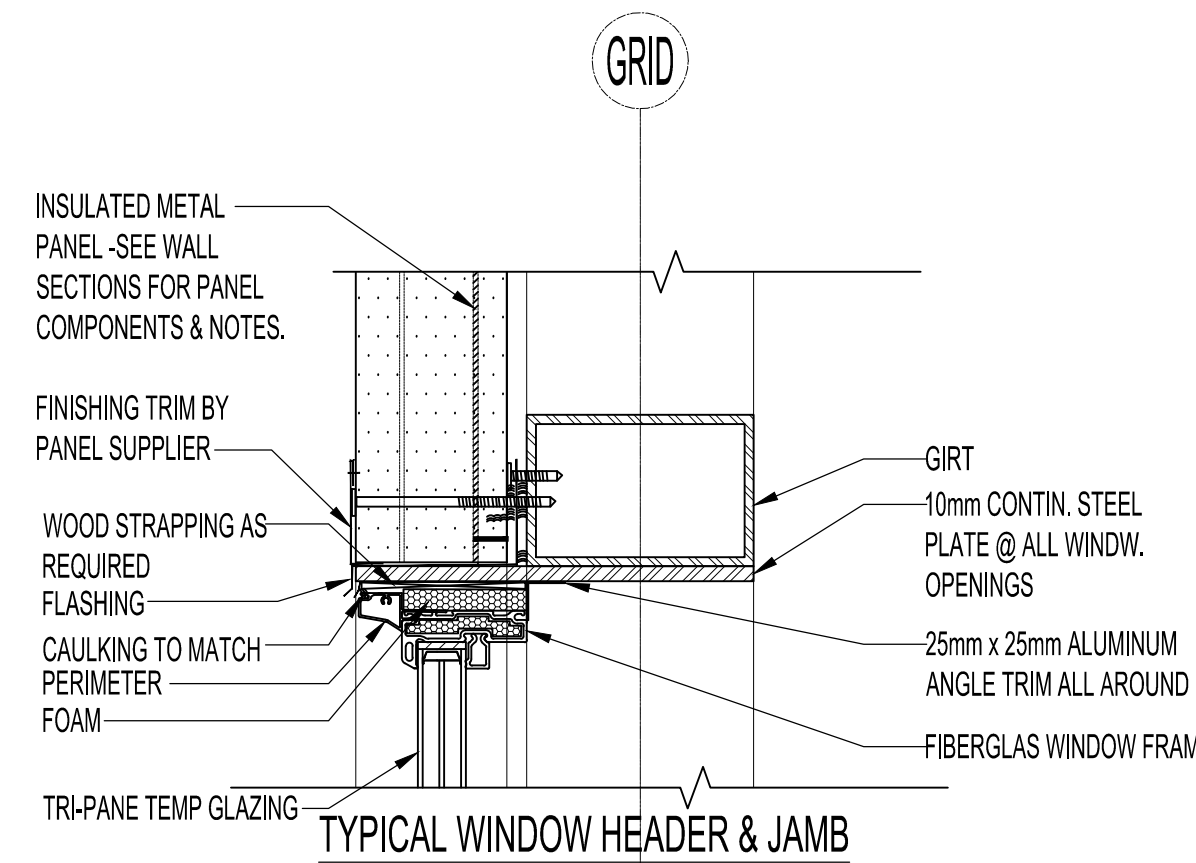
NOTES:

ALL GIRTS, COLUMNS, CROSS BRACING & FLOOR ANGLES TO BE SPRAY PAINTED WHITE TO MATCH INTERIOR INSULATED METAL PANELS.

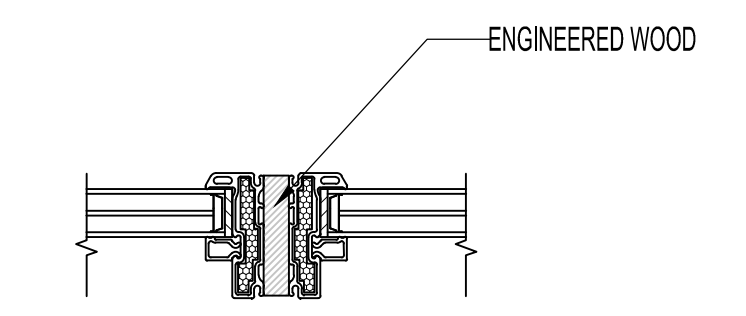
ROOM FINISH SCHEDULE										
ROOM NO.	ROOM NAME	FLOOR	BASEBOARD	NORTH WALL	SOUTH WALL	EAST WALL	WEST WALL	CEILING	CEILING HEIGHT	NOTES
B01	STAIRS	TYPE 4, 5, 6	---	A.S.	A.S.	A.S.	A.S.	---	2718	A.S. ON US OF CONCRETE LANDING PAINT CEILING & STAIR COMPONENTS AS PER STAIR DETAILS
B02	MECHANICAL ROOM #1	---	R.BB.1	A.S.	---	---	PT. A.S.	---	2718	R.BB. 1 ON GYPSUM BOARD WALLS ONLY
B03	MALE MUD CHANGE ROOM	---	R.BB.1	O.B. PT.	O.B. PT.	O.B. PT.	O.B. PT.	---	2718	---
B04	LAUNDRY	---	R.BB.1	O.B. PT.	O.B. PT.	O.B. PT.	---	---	2718	---
B05	FEMALE MUD CHANGE ROOM	---	R.BB.1	O.B. PT.	O.B. PT.	O.B. PT.	O.B. PT.	---	2718	---
B06	NETWORK ROOM	---	R.BB.1	PT.	PT.	PT.	PT.	---	2718	---
B07	ELECTRICAL ROOM	---	R.BB.1	PT.	---	PT.	PT., A.S.	---	2718	R.BB. 1 ON GYPSUM BOARD WALLS ONLY
B08	STAIRS	TYPE 4, 5, 6	---	A.S.	A.S.	A.S.	A.S.	---	---	A.S. ON US OF CONCRETE LANDING PAINT CEILING & STAIR COMPONENTS AS PER STAIR DETAILS
B09	VACANT FUTURE STORAGE	---	R.BB.1	PT. A.S.	---	PT.	---	---	2718	R.BB. 1 ON GYPSUM BOARD WALLS ONLY
B10	MECHANICAL ROOM #2 / JANITOR	---	R.BB.1	---	O.B. PT.	A.S.	O.B. PT.	---	2718	R.BB. 1 ON GYPSUM BOARD WALLS ONLY
101	FEMALE LOCKERS	TYPE 1	R.BB.1	---	A.S.	A.S.	A.S.	AC. T.	3000	---
102	FEMALE SHOWERS	TYPE 1	R.BB.1	A.S.	A.S.	A.S.	A.S.	AC. T.	3000	---
103	FEMALE WASHROOM	TYPE 1	R.BB.1	A.S.	A.S.	---	A.S.	AC. T.	3000	---
104	VESTIBULE	TYPE 1	R.BB.1	A.S.	A.S.	---	A.S.	AC. T.	3000	---
105	MALE WASHROOM	TYPE 1	R.BB.1	A.S.	A.S.	---	A.S.	AC. T.	3000	---
106	MALE SHOWERS	TYPE 1	R.BB.1	A.S.	A.S.	A.S.	A.S.	AC. T.	3000	---
107	MALE LOCKERS	TYPE 1	R.BB.1	A.S.	A.S.	---	PT., A.S.	AC. T.	3000	---
108	LUNCH ROOM	TYPE 2	R.BB.1	PT.	A.S.	A.S.	PT.	AC. T.	3000	---
109	CORRIDOR	TYPE 1 & 2	R.BB.1	---	PT. & B.B.	A.S.	---	AC. T.	3000	---
110	STAIRS	TYPE 2, 4, 6	R.BB.1	A.S.	A.S.	A.S.	A.S.	PT.	6891	A.S. ON US OF CONCRETE LANDING PAINT CEILING & STAIR COMPONENTS AS PER STAIR DETAILS
111	COPY / SUPPLIES	TYPE 2	R.BB.1	---	A.S.	PT.	---	AC. T.	3000	---
112	GENERAL OFFICE AREA 1	TYPE 2	R.BB.1	---	---	A.S.	---	AC. T. & PT.	3000	---
113	GENERAL OFFICE AREA 2	TYPE 2	R.BB.1	---	---	---	---	AC. T. & PT.	3000	---
114	CORRIDOR	TYPE 2	R.BB.1	PT. BULKHEAD	---	---	---	AC. T. & PT.	3000	---
115	VESTIBULE	TYPE 3	R.BB.1	---	---	PT.	---	PF. M. S.	2820	---
116	WAITING AREA	TYPE 1 & 2	R.BB.1	PT. BULKHEAD	---	---	PT.	PT.	5600	---
117	MULTI-PURPOSE ROOM	TYPE 1	R.BB.1	PT. & WT.	PT. BULKHEAD	A.S.	PT. & B.B.	AC. T.	3000	---
118	UNIVERSAL TOILET ROOM	TYPE 1	R.BB.1	---	A.S.	A.S.	A.S.	AC. T.	3000	---
119	STAIRS	TYPE 2, 4, 6	R.BB.1	---	A.S.	A.S.	A.S.	PT.	6891	A.S. ON US OF CONCRETE LANDING PAINT CEILING & STAIR COMPONENTS AS PER STAIR DETAILS
120	JANITOR	TYPE 1	R.BB.1	A.S.	A.S.	A.S.	A.S.	AC. T.	3000	---
121	CORRIDOR	TYPE 1 & 2	R.BB.1	PT. BULKHEAD	A.S.	---	---	AC. T.	3000	---
122	CORRIDOR	TYPE 1 & 2	R.BB.1	A.S.	---	A.S.	---	AC. T.	3000	---
123	GENERAL OFFICE AREA 3	TYPE 2	TEKION ALTOS	---	---	---	---	AC. T.	3000	---
124	ENVIRONMENTAL SUPERVISOR	TYPE 2	TEKION ALTOS	---	---	---	---	AC. T.	3000	---
125	OPERATIONS FOREMAN	TYPE 2	TEKION ALTOS	---	---	---	---	AC. T.	3000	---
126	OPERATIONS SUPERVISOR	TYPE 2	TEKION ALTOS	---	---	---	---	AC. T.	3000	---
127	FINANCE CLERK C	TYPE 2	TEKION ALTOS	---	---	---	---	AC. T.	3000	---
128	FINANCE SUPERVISOR	TYPE 2	TEKION ALTOS	---	---	---	---	AC. T.	3000	---

ABBREVIATIONS

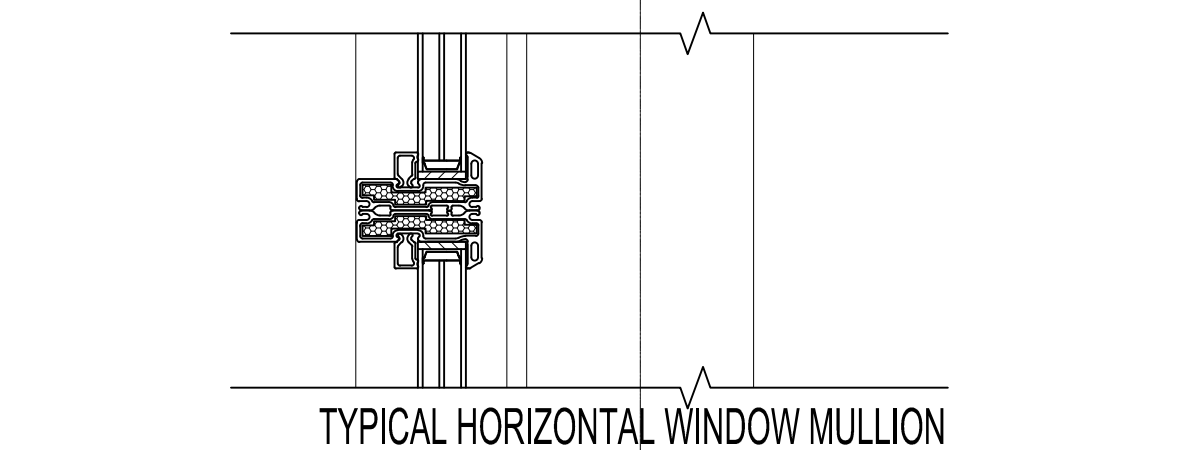
TYPE 1 & 2 - VINYL SHEET FLOORING W/ 150 RUBBER BASE
TYPE 3 - ALUMINUM PLATE
TYPE 4, 5, & 6 - RUBBER TACTILE WARNINGS, NOSINGS & TRIMS
R.BB. - 4" RUBBER BASEBOARD
TEKION ALTOS - BASES ARE PRE-FINISHED & INCLUDED W/ WALL SYSTEM
A.S. - AQUA SEAL FINISH ON ALL INTERIOR CONCRETE BLOCK (CONCRETE WALL & US OF LANDING IN STAIRS) - SEE WALL TYPE NOTES FOR FINISH
PT. - PAINT
O.B. PT. - OIL BASED PAINT
B.B. - BULLETIN BOARD - SEE INTER. FIN. DWGS
WT. - WALL TALKERS FINISH - SEE INTER. FIN. DWGS
PF. M. S. - PRE-FINISHED METAL SOFFITS
AC. T. - ACOUSTIC TILE



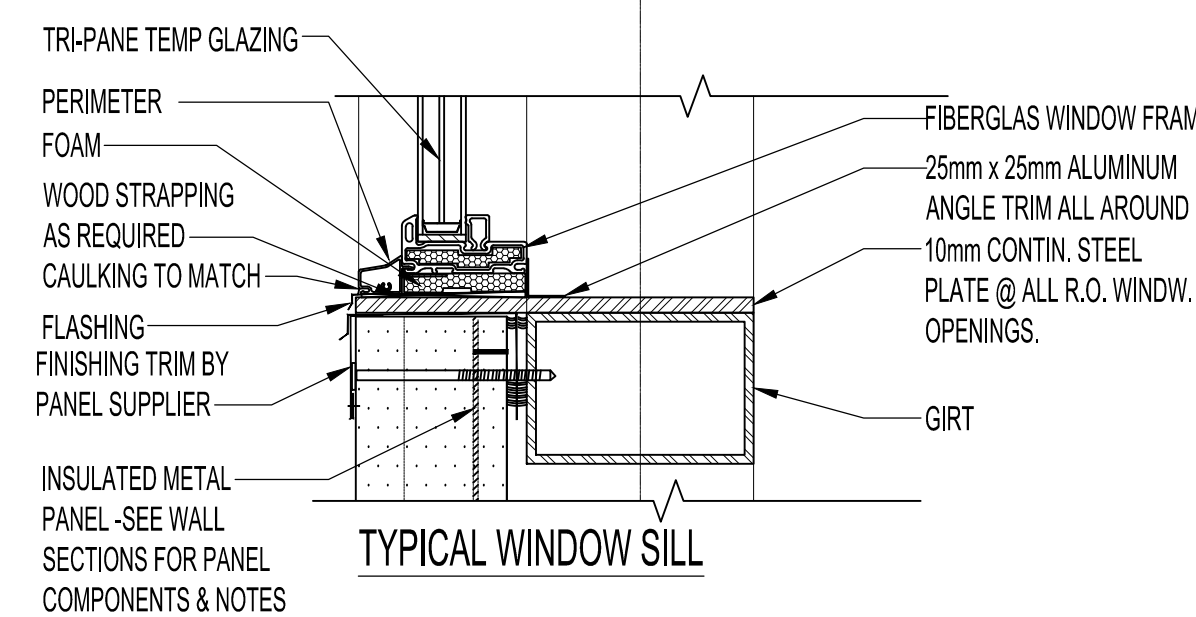
2 SECTION - TYPICAL VERTICAL MULLION
SCALE: 1:5



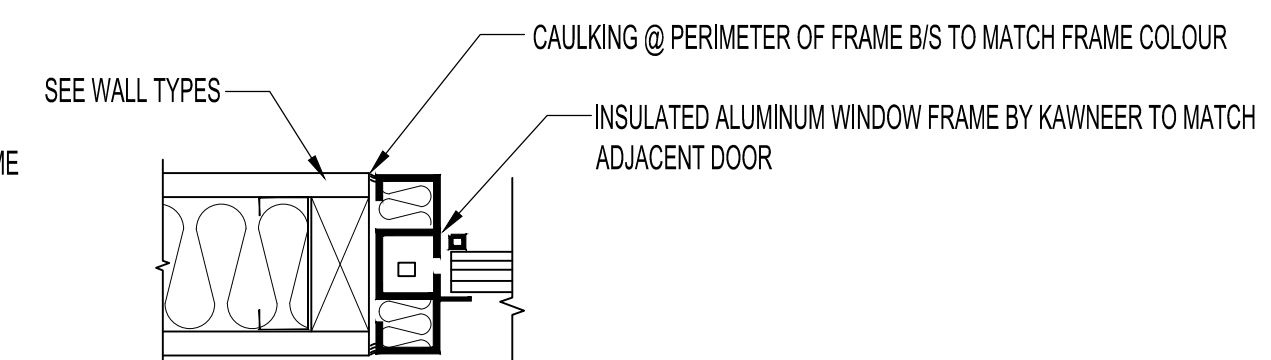
3 SECTION - TYPICAL VERTICAL MULLION
SCALE: 1:5



TYPICAL HORIZONTAL WINDOW MULLION



1 SECTION - TYPICAL WINDOW
SCALE: 1:5



4 DOOR / WINDOW JAMB DETAIL - INTERIOR - GYP. BD WALL
SCALE: 1:5

No.	REVISION/DESCRIPTION	BY	DATE
1	ISSUED FOR ADDENDUM #2	JAW	JUNE 15, 2017
0	ISSUED FOR CONSTRUCTION	MMK	MAR 17, 2017

ORIGINAL STAMPED BY: R. LI
DATE: MARCH 20, 2017

DRAWN	CHECKED	DESIGNED	APPROVED
MMK	MMK	MMK	MMK

THE CITY OF WINNIPEG
PLANNING, PROPERTY AND
DEVELOPMENT DEPARTMENT
MUNICIPAL ACCOMMODATIONS DIVISION
3-65 GARRY STREET, R3C 4K4

PROJECT
BRADY ROAD LANDFILL
ADMINISTRATION BUILDING
DEVELOPMENT FOR BRADY LANDFILL
1777 BRADY ROAD

SHEET TITLE
WINDOW TYPES & DETAILS
ROOM FINISH SCHEDULES

SCALE AS SHOWN PROJECT No: 2015-037 SHEET No: A1.2-R1