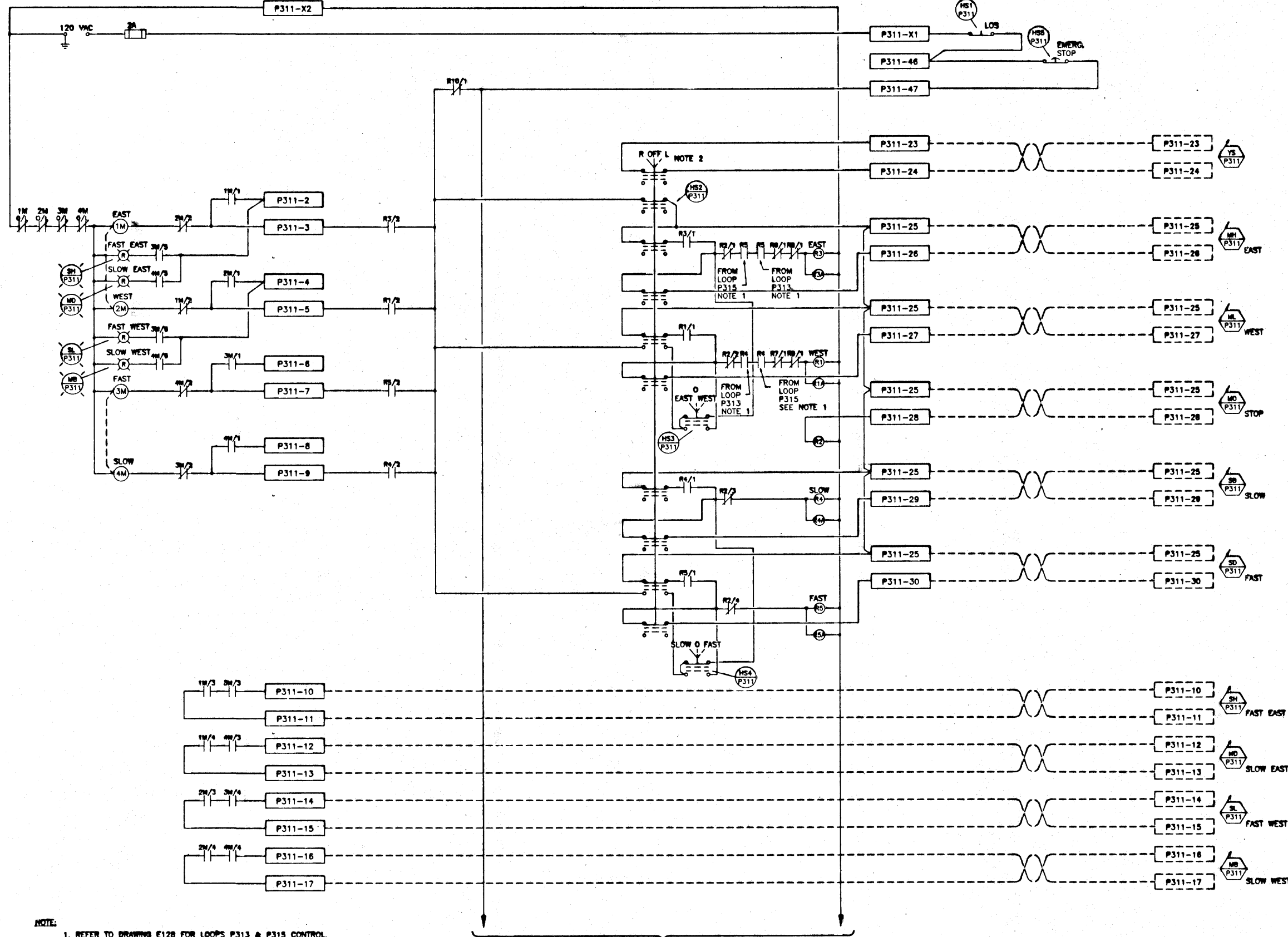


BRIDGE CONTROL PANEL

FIELD

DCS

LOOP P311-BDM



- 1
- 2
- 3
- 4
- 6
- 6
- 7
- 8
- 9
- 10 R3, R3A CONTROL RELAYS TO MOVE BRIDGE EAST
- 11
- 12
- 13
- 14 R1, R1A CONTROL RELAYS TO MOVE BRIDGE WEST
- 15
- 16
- 17
- 18
- 19 R4, SLOW SPEED RELAY
- 20
- 21
- 22
- 23 R5, FAST SPEED RELAY
- 24
- 25
- 26
- 27
- 28
- 29
- 30
- 31
- 32
- 33

NOTE:  
 1. REFER TO DRAWING E128 FOR LOOPS P313 & P315 CONTROL.  
 2. BRIDGE CONTROL SELECTOR SWITCHES SHALL HAVE AN EXTRA POLE FOR A "MAINTENANCE" POSITION.

CONTINUED ON DRAWING E130

B.M. ELEV.	MACLAREN ENGINEERS INC. WARDROP ENGINEERING INC. ENGINEERING CONSULTANTS			<b>THE CITY OF WINNIPEG</b> WORKS AND OPERATIONS DIVISION WATERWORKS, WASTE & DISPOSAL DEPARTMENT
DESIGNED BY: K.J.	CHECKED BY: [Signature]	SOUTH END WATER POLLUTION CONTROL CENTRE PRIMARY CLARIFIER EXPANSION - ELECTRICAL PRIMARY CLARIFIER 3 BRIDGE DRIVE CONTROL LOOP DIAGRAM		
DRAWN BY: N.C.	APPROVED BY: [Signature]	HOR. SCALE: N.T.S. VERTICAL: N.T.S.	CONSULTANT DRAWING NO. 870012-01-16-E129	CITY DRAWING NUMBER SHEET OF SEP-303
ISSUED FOR TENDER: 08/89 K.J.	ISSUED FOR APPROVAL: 06/89 K.J.	DATE: MARCH 1989	RELEASED FOR CONSTRUCTION: [Signature]	