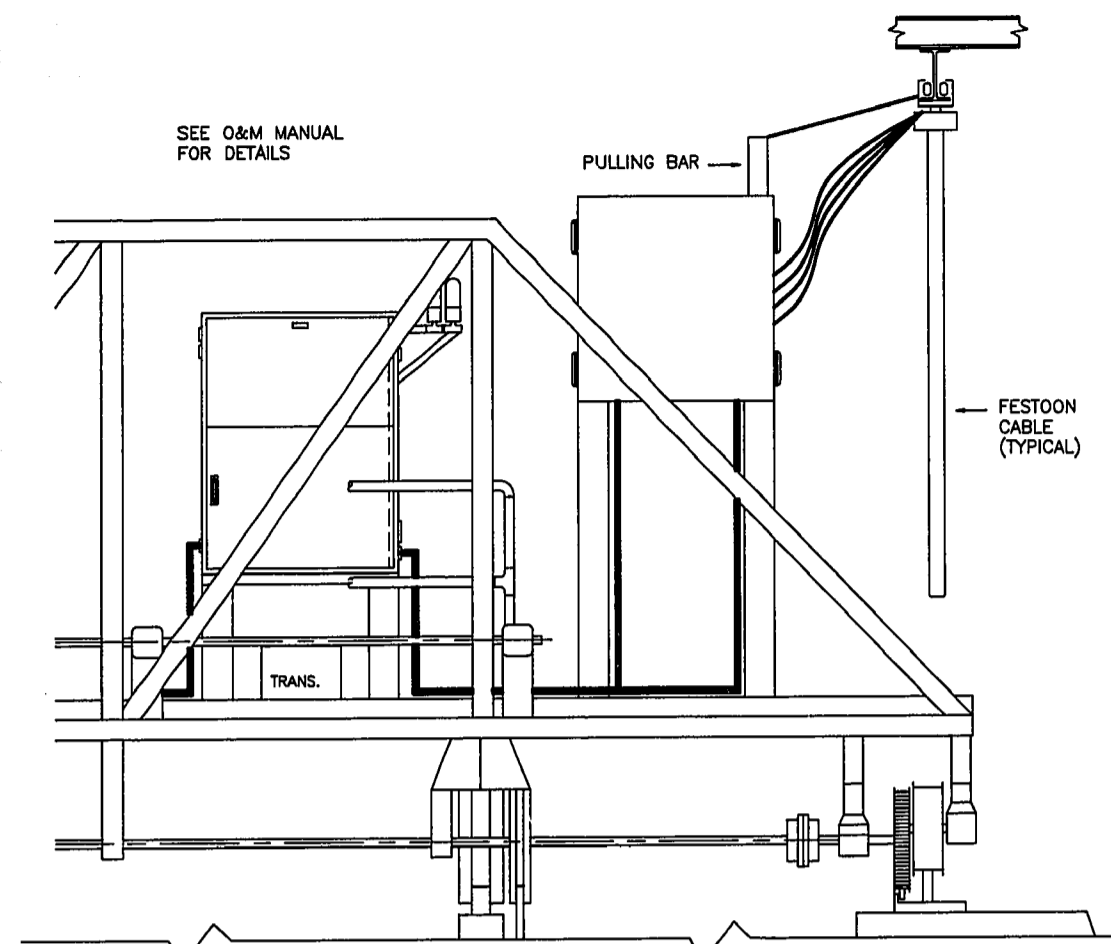
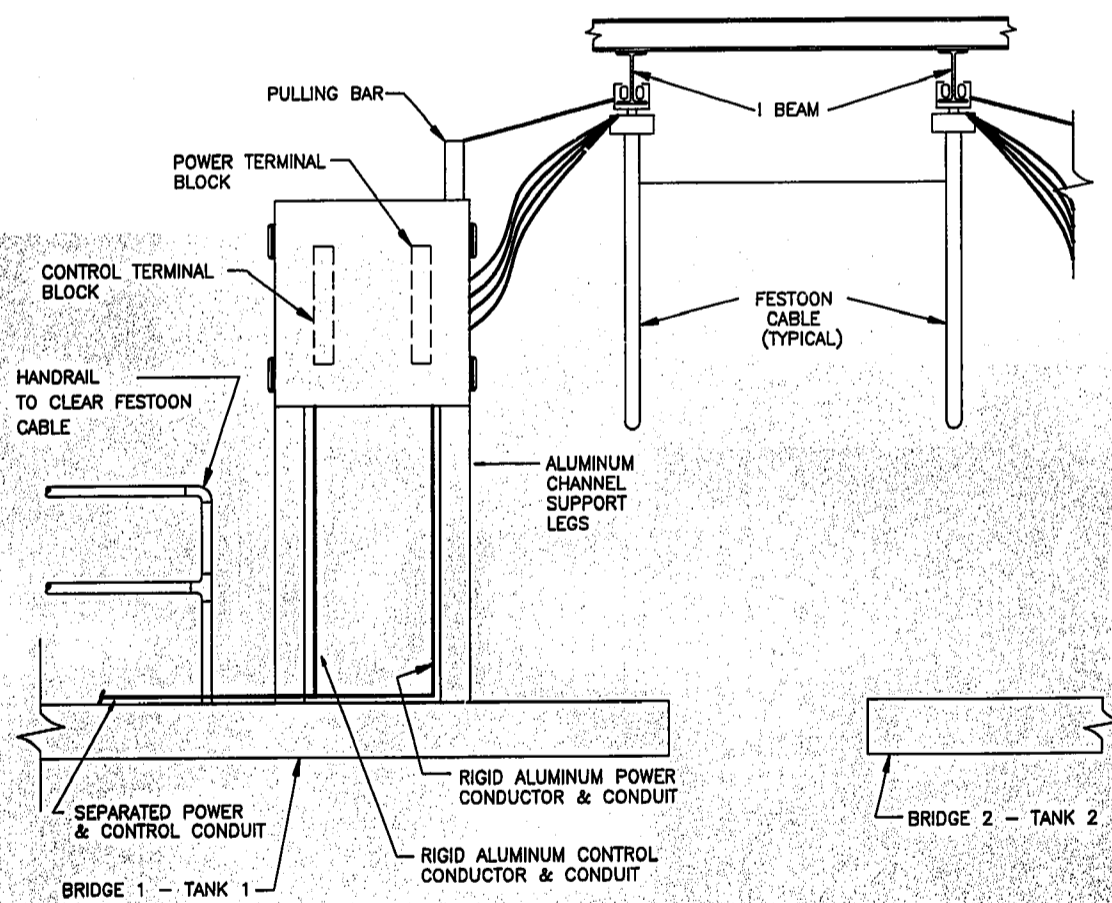


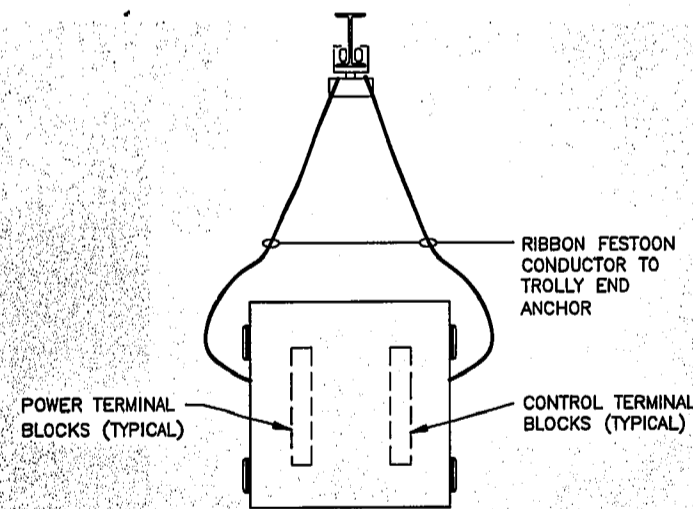
CLARIFIER #8 BRIDGE DETAIL
SCALE 1:25



BRIDGE 3 - PANEL LOCATION
SCALE 1:25



1 TERMINAL BOX LOCATION ON BRIDGE (TYP.)
SCALE 1:25





2 JUNCTION BOX LOCATED AT THE WEST
END OF CLARIFIERS 1 & 2 (TYP.)
SCALE 1:25

NOTES:

- BRIDGES FOR CLARIFIERS 1 & 2 UTILIZE 1 TRAVEL (1 HP) AND 1 HOIST MOTOR (1.5 HP). BRIDGE FOR CLARIFIER 3 UTILIZES 1 TRAVEL (2 HP) AND 1 HOIST MOTOR (5 HP).
- LOCK-OUT STOP AND EMERGENCY STOP PUSHBUTTONS ARE LOCATED EXTERNAL TO CONTROL PANELS ON BRIDGES.

AS CONSTRUCTED
DATE MAY/91 BY R.H.
APPROVED BY B.T.

S.M. ELEV.		MACLAREN ENGINEERS INC. WARDROP ENGINEERING INC. ENGINEERING CONSULTANTS			 THE CITY OF WINNIPEG WORKS AND OPERATIONS DIVISION WATERWORKS, WASTE & DISPOSAL DEPARTMENT
DESIGNED BY W.L.		CHECKED BY B.T.			
DRAWN BY S.B.		APPROVED BY [Signature]		PRIMARY CLARIFIER EXPANSION - ELECTRICAL	SHEET OF
HOR. SCALE: AS NOTED		RELEASED FOR CONSTRUCTION:		PRIMARY CLARIFIERS 1, 2 & 3	SEP-291
VERTICAL: AS NOTED		DATE FEBRUARY 1989		TRAVELLING BRIDGES DETAILS	
NO. REVISIONS		DATE BY		CONSULTANT DRAWING NO. 870012-01-16-E117	