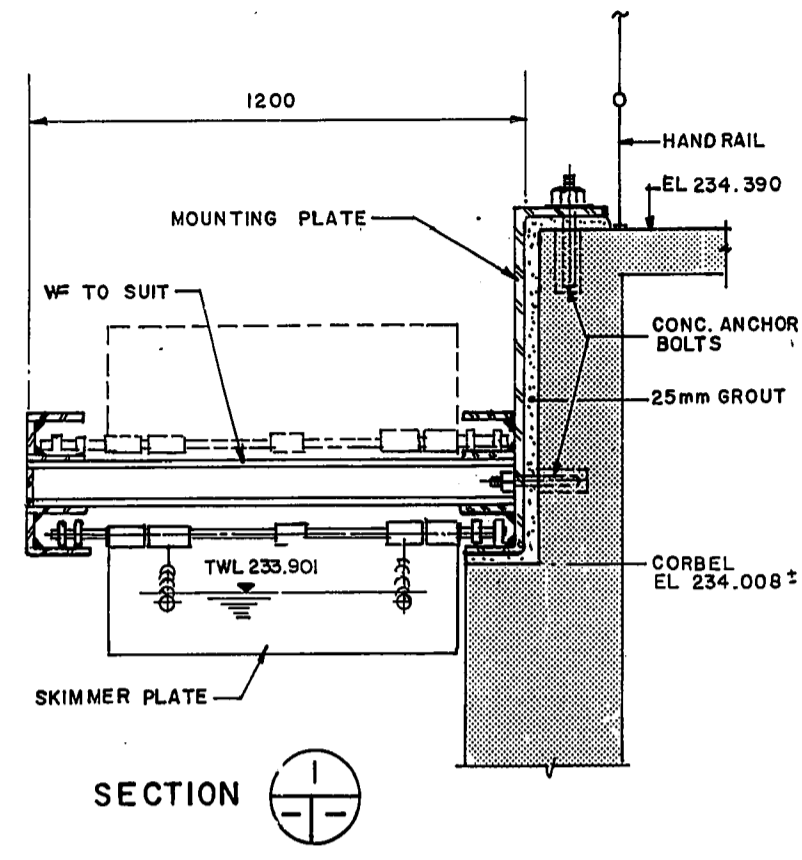
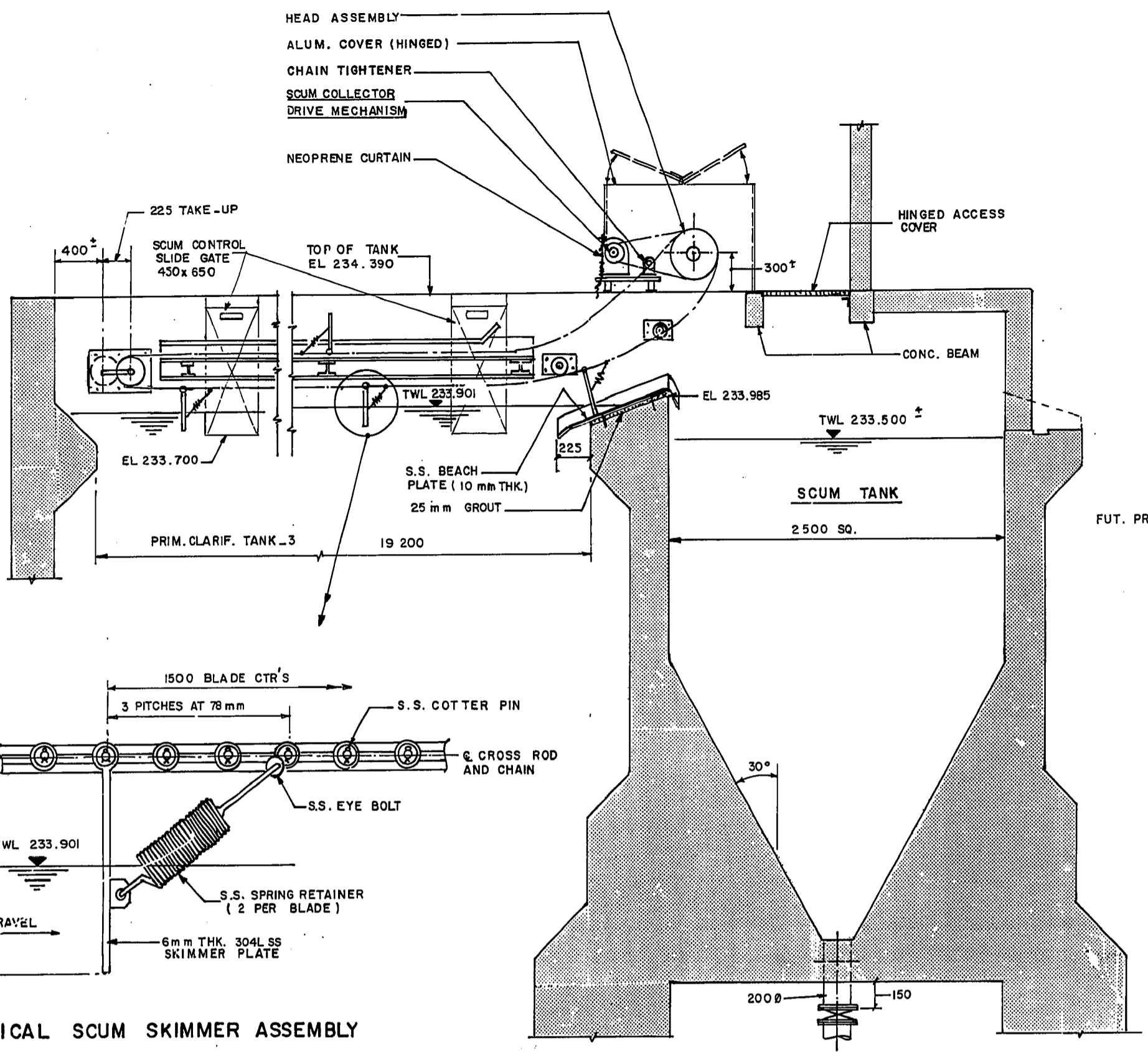


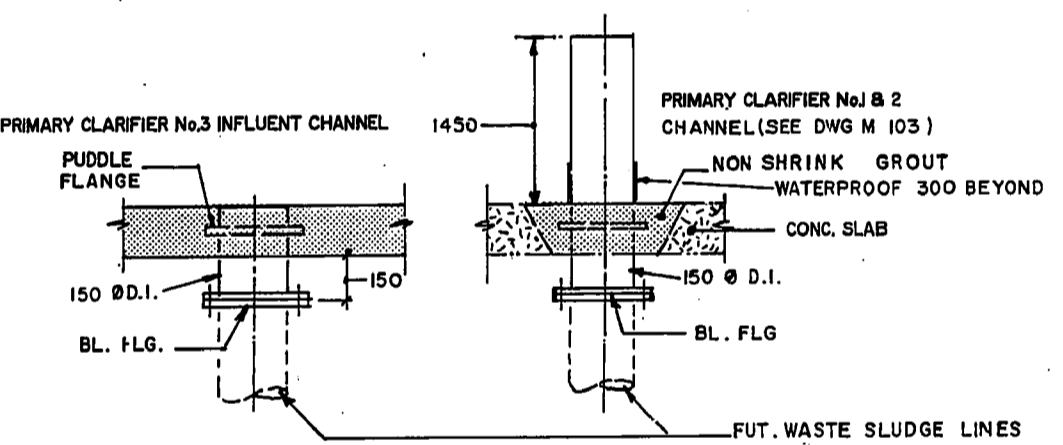
PLAN OF SCUM COLLECTOR HEAD ASSEMBLY



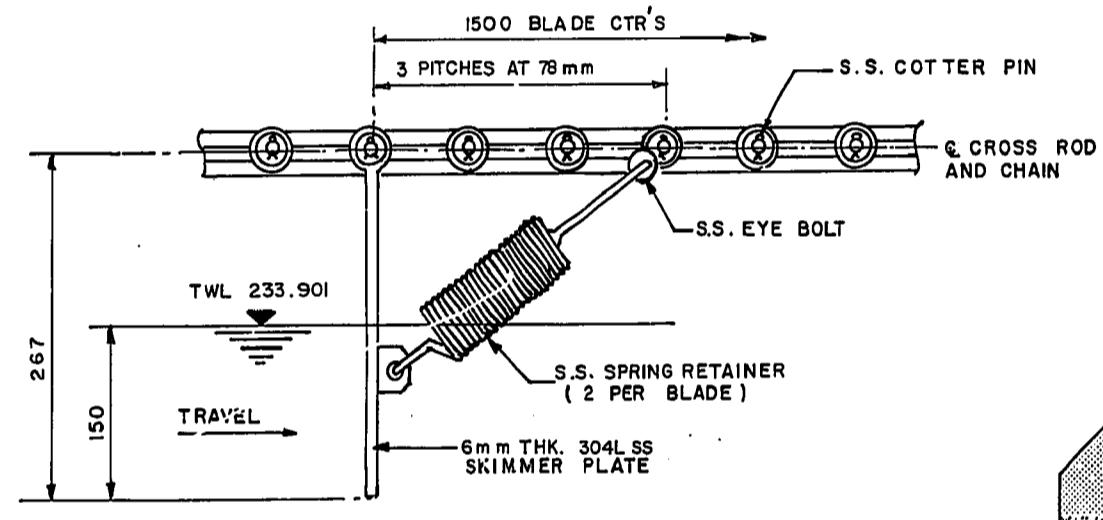
SECTION 1



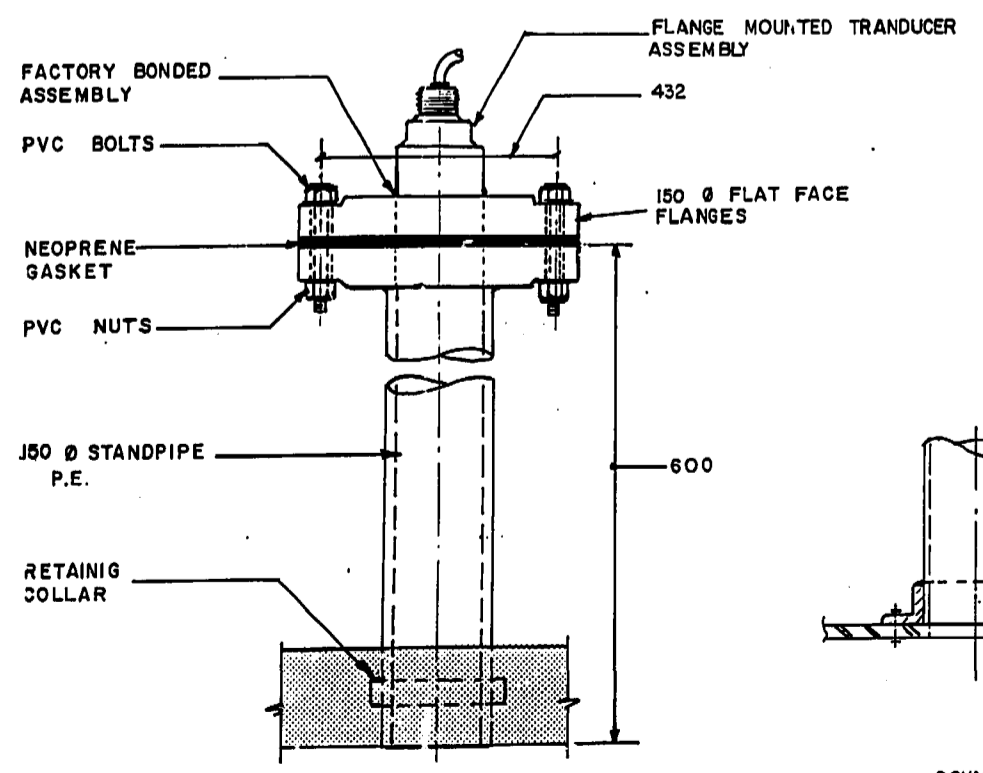
SECTION 2



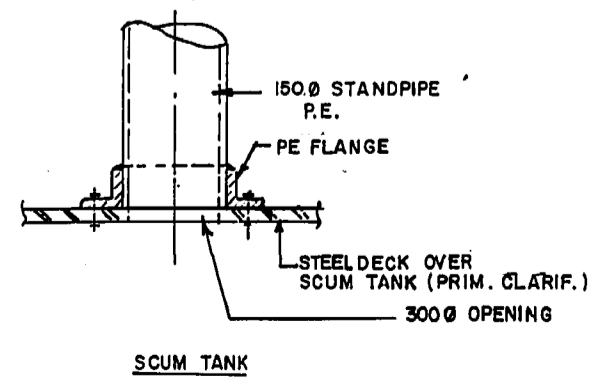
150 DIA. FLOOR PIECE DETAILS (4 REQ'D)



TYPICAL SCUM SKIMMER ASSEMBLY



SCUM TANK TRANSDUCER MOUNTING DETAIL



SCUM TANK

AS CONSTRUCTED			
DATE	OCTOBER/91	BY	S.O.
APPROVED BY	<i>Sean Quigley</i>		

B.M. ELEV.			
DESIGNED BY	H.S. / C.S.	CHECKED BY	RDJ.
DRAWN BY	H.S.	APPROVED BY	<i>William J. Maguire</i>
NO. REVISIONS		DATE	
1	AS CONSTRUCTED	10/91	S.O.
0	ISSUED FOR TENDER	AUG 89	EH

MacLAREN ENGINEERS INC.
WARDROP ENGINEERING INC.

ENGINEERING CONSULTANTS

DATE AUGUST, 1989

HOR. SCALE: N.T.S.
VERTICAL: N.T.S.

RELEASED FOR CONSTRUCTION
DATE Aug 25/89

ENGINEER'S
LICENSED PROFESSIONAL ENGINEER
R. JUANEZA
PROVINCE OF ONTARIO

CONSULTANT DRAWING NO.
43525-M110

THE CITY OF WINNIPEG
WORKS AND OPERATIONS DIVISION

SOUTH END WATER POLLUTION CONTROL CENTRE
PRIMARY CLARIFIER MECHANICAL

CITY DRAWING NUMBER
SHEET OF

SCUM COLLECTOR DETAILS

SEP-264