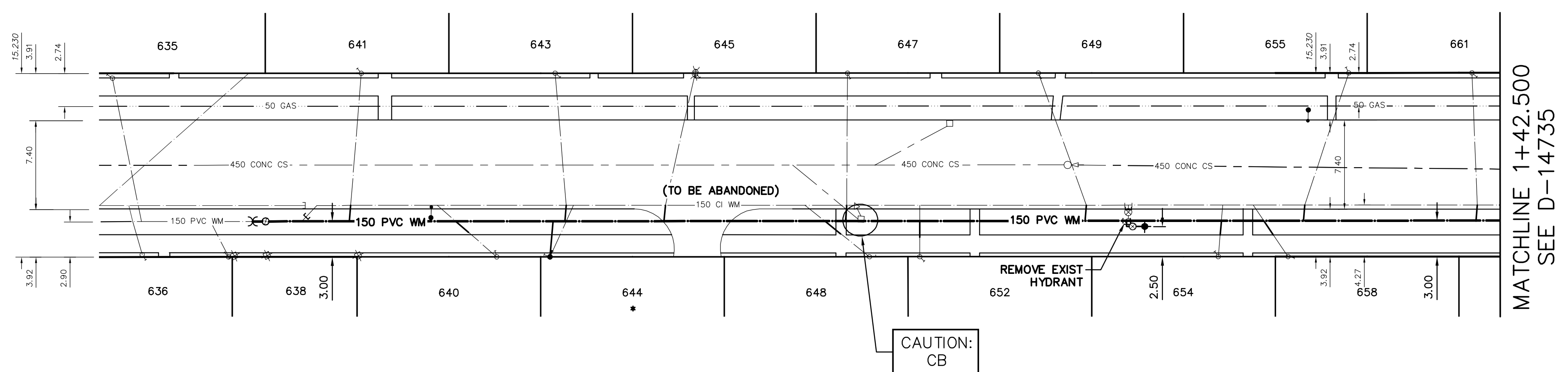
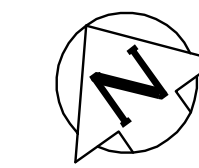


NOTE: CHAINAGES SHOWN ARE ALONG S. R. OF MONCTON AVE.

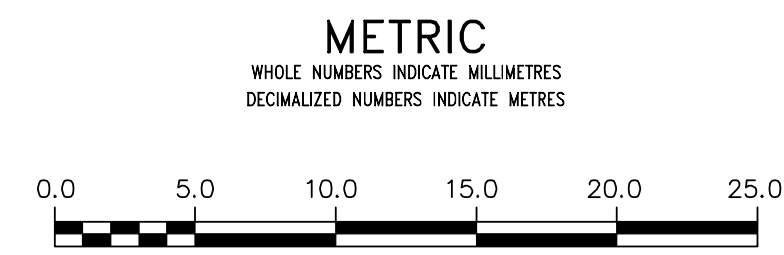
MONCTON AVENUE



FOR INDEX SEE D-14776

FOR WATER SERVICE TABLE SEE D-14735

NOTE: ALL VALVES TO BE INSTALLED COUNTERCLOCKWISE TO CLOSE



**WARNING**  
IF POWER EQUIPMENT OR EXPLOSIVES ARE TO BE USED FOR EXCAVATION ON THIS PROJECT THE CONTRACTOR MUST:  
1) NOTIFY THE GAS COMPANY OF THE PROPOSED LOCATION OF EXCAVATION.  
2) TAKE PRECAUTION TO AVOID DAMAGE TO GAS COMPANY INSTALLATIONS.  
SEE PROVINCIAL REGULATION 210/72 FOR DETAILS

**LOCATION APPROVED UNDERGROUND STRUCTURES**  
SUPV. U/G STRUCTURES COMMITTEE DATE  
NOTE: LOCATION OF UNDERGROUND STRUCTURES AS SHOWN ARE BASED ON THE BEST INFORMATION AVAILABLE BUT NO GUARANTEE IS GIVEN THAT ALL EXISTING UTILITIES ARE SHOWN OR THAT THE GIVEN LOCATIONS ARE EXACT. CONFIRMATION OF EXISTENCE AND EXACT LOCATION OF ALL SERVICES MUST BE OBTAINED FROM THE INDIVIDUAL UTILITIES BEFORE PROCEEDING WITH CONSTRUCTION.

| NO. | REVISIONS | DATE | BY |
|-----|-----------|------|----|
|     |           |      |    |
|     |           |      |    |
|     |           |      |    |

|             |                                   |             |            |
|-------------|-----------------------------------|-------------|------------|
| DESIGNED BY | TS                                | CHECKED BY  | SC         |
| DRAWN BY    | RS                                | APPROVED BY | KZ         |
| SCALE:      | HORIZONTAL 1:250<br>VERTICAL 1:50 |             |            |
| DATE        | 2017 05 30                        | DATE        | 2017 05 30 |
| PLOT DATE:  | 2017 05 30                        |             |            |

ENGINEER'S SEAL  
ORIGINAL SIGNED BY S.J.R. COURNOYER 17/05/30  
CONSULTANT DRAWING NUMBER

**THE CITY OF WINNIPEG**  
WATER AND WASTE DEPARTMENT  
ENGINEERING DIVISION  
2017 WATER MAIN RENEWALS  
CONTRACT 4A  
MONCTON AVENUE  
184 WEST OF GREY STREET TO  
68 WEST OF GREY STREET

SHEET 8 OF 11  
CITY DRAWING NUMBER  
D-14734