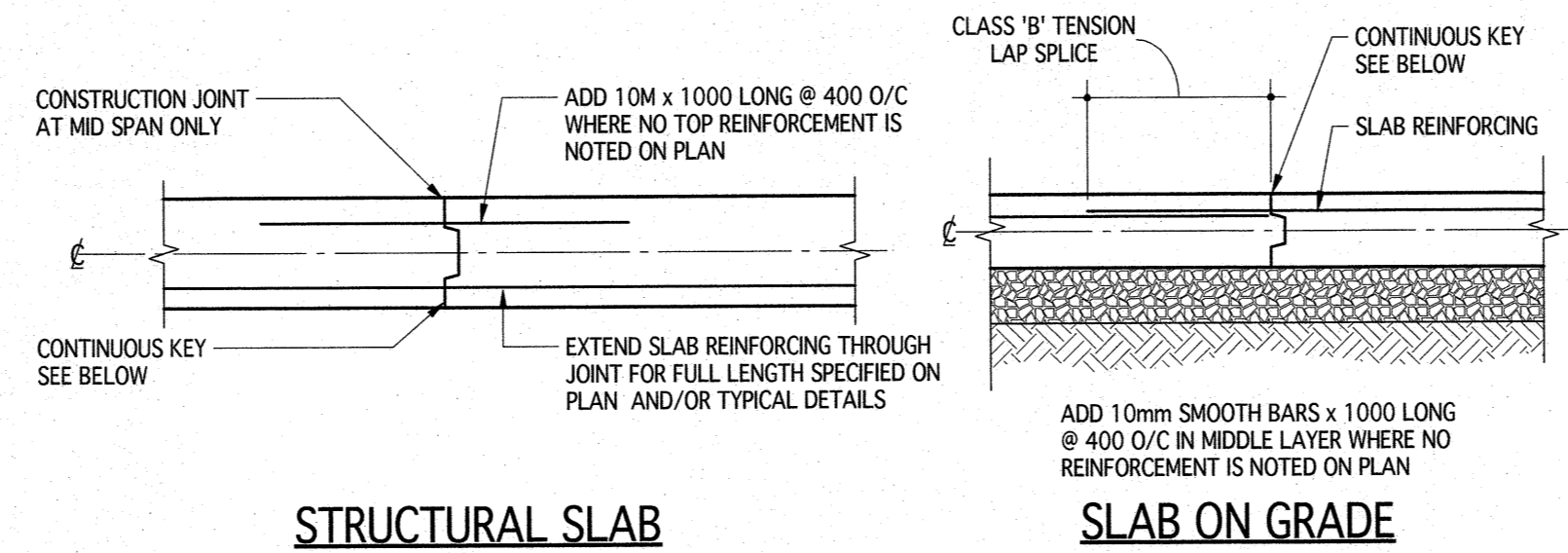
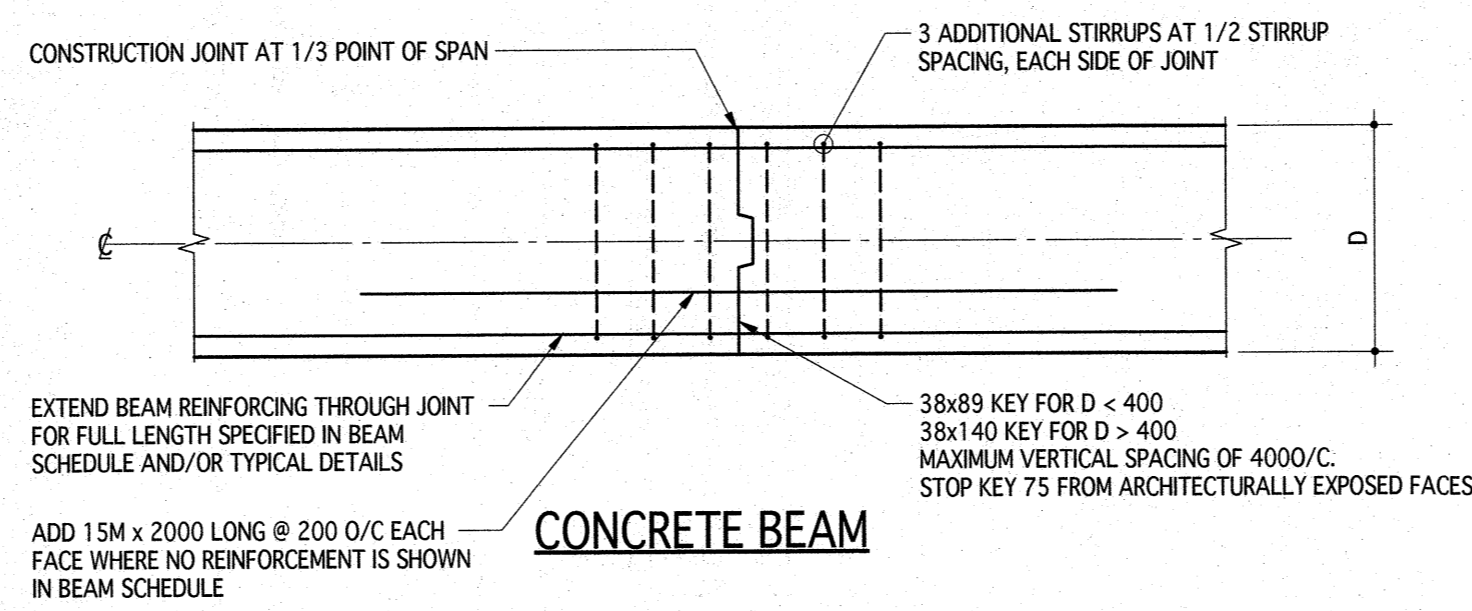
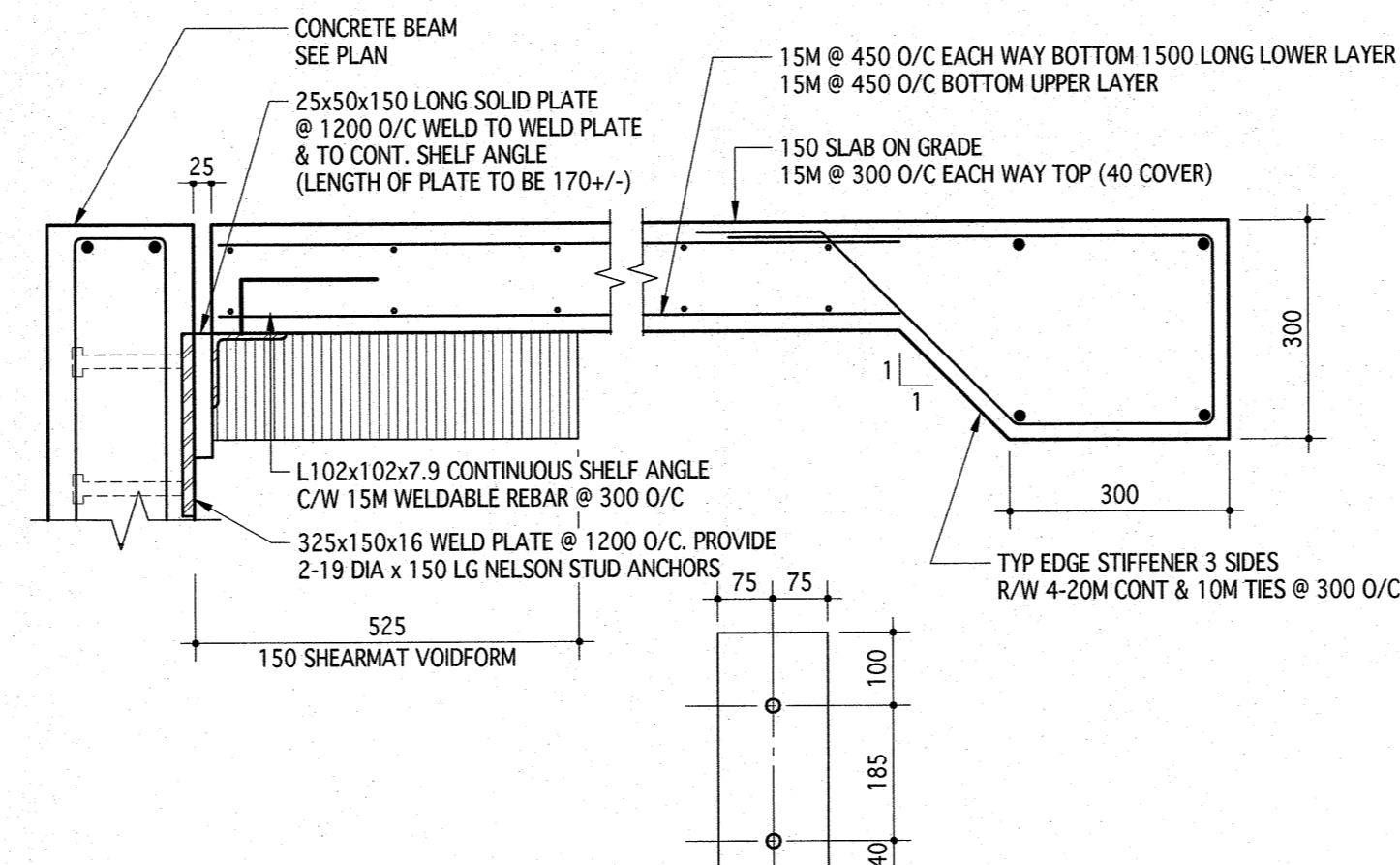


OPENINGS IN SLABS DETAILS

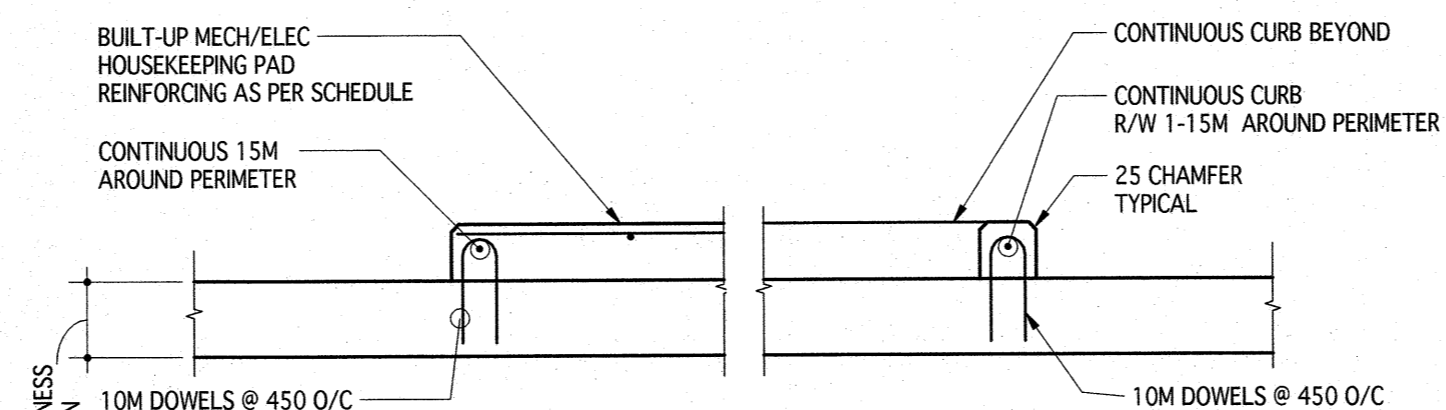


CONSTRUCTION JOINT KEY SIZE  
SLAB LESS THAN 150 - CUT KEY FROM 38x38 KEY  
150 TO 250 SLAB - 38x89 KEY



TYPICAL ENTRANCE/STAIRWELL EXIT SLAB/ SHELF ANGLE DETAIL

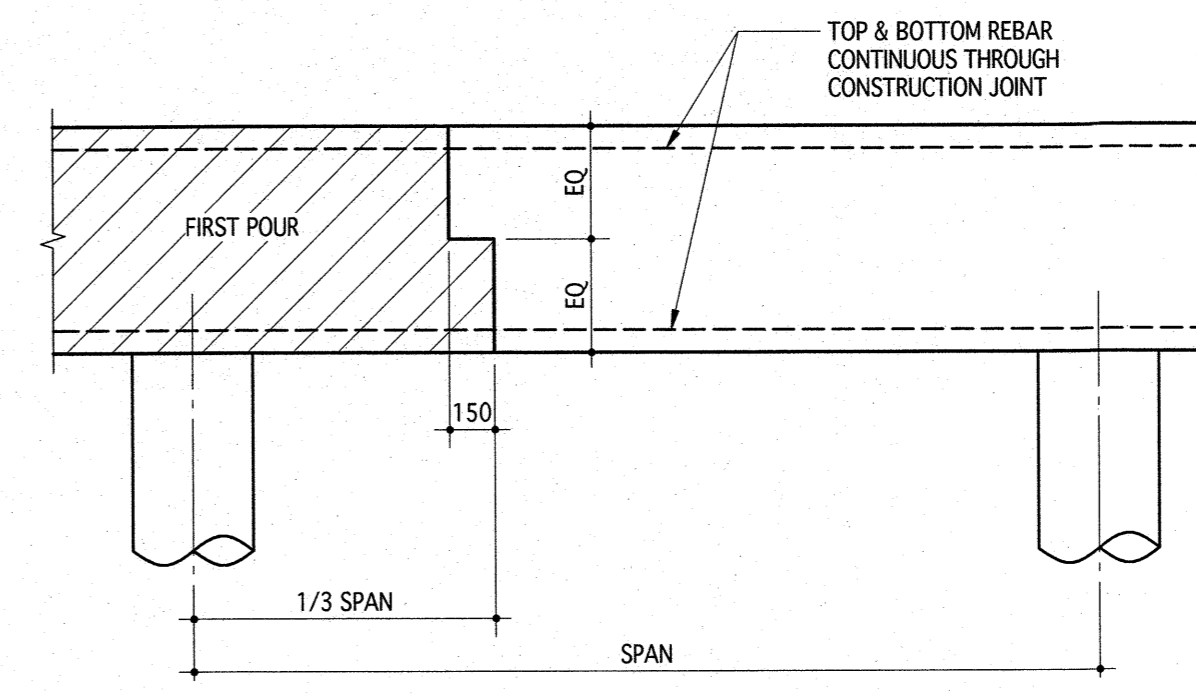
NOTE:  
1) ALL SHELF ANGLES, PLATES ETC SHALL BE GALVANIZED  
2) TOUCH UP ALL WELDING WITH ZINC RICH PAINT



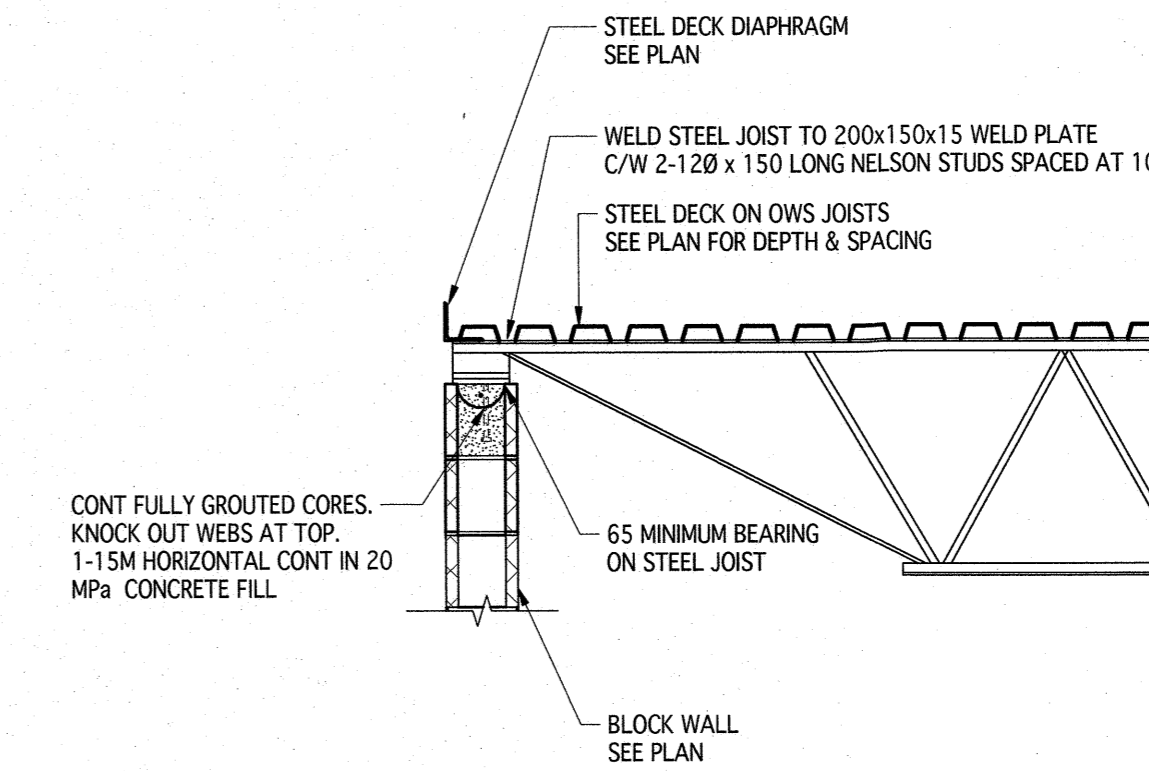
PAD THICKNESS "t"	REINFORCEMENT
150mm	10M @ 300 O/C EACH WAY
100mm	10M @ 400 O/C EACH WAY

SEE MECHANICAL/ELECTRICAL DRAWINGS FOR HOUSEKEEPING PAD SIZES AND LOCATIONS

HOUSEKEEPING PAD/CURB DETAIL

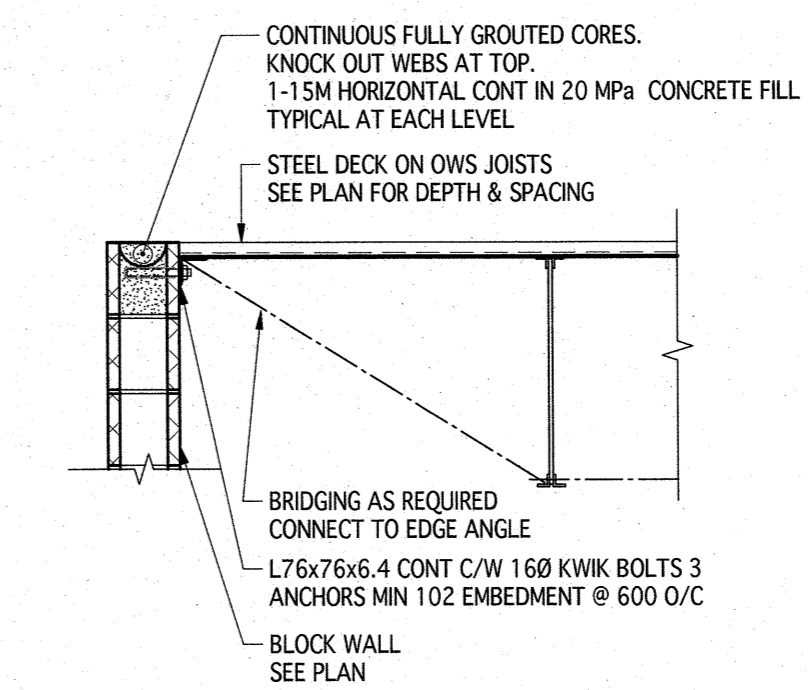


CONCRETE BEAM CONSTRUCTION JOINT DETAIL



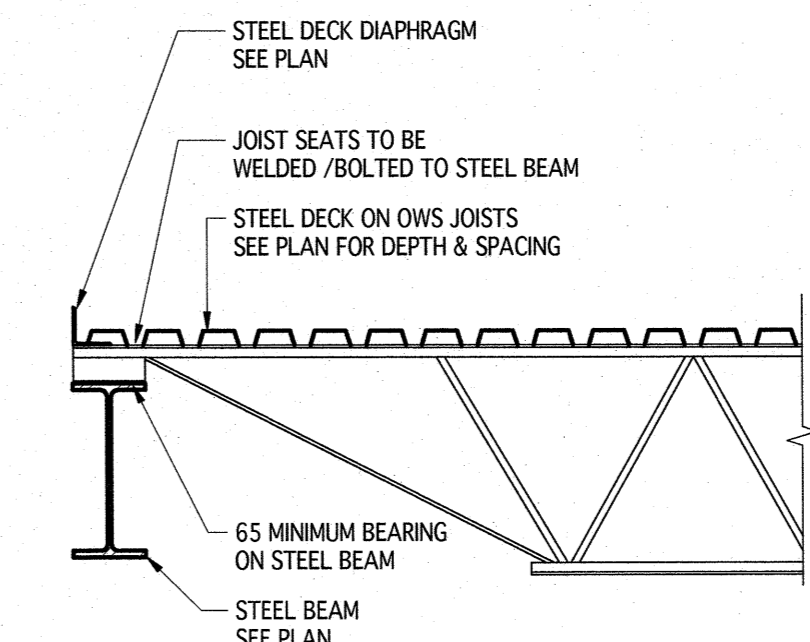
STEEL JOIST BEARING ON BLOCK WALL

1:20



STEEL JOIST PARALLEL TO BLOCK WALL

1:20



STEEL JOIST BEARING ON W BEAM

1:20



0 2017-06-30 ISSUED FOR CONSTRUCTION  
No. DATE REVISION/ISSUANCE

| x | architecture inc.  
120 Flax Street, Suite 103 Winnipeg, Manitoba R3C 1K7 204.318.2010

300-275 Carlton Street  
Winnipeg, Manitoba R3C 5R6  
T 204.943.7501  
F 204.943.7507  
2016-0430

Crosier Kilgour & Partners Ltd.  
CONSULTING STRUCTURAL ENGINEERS

Project BID OPPORTUNITY 450-2017  
KILDONAN PARK MAINTENANCE BUILDING

Sheet Title  
TYPICAL DETAILS

Project No. 1559  
Date 2017-06-30  
Sheet S1.2