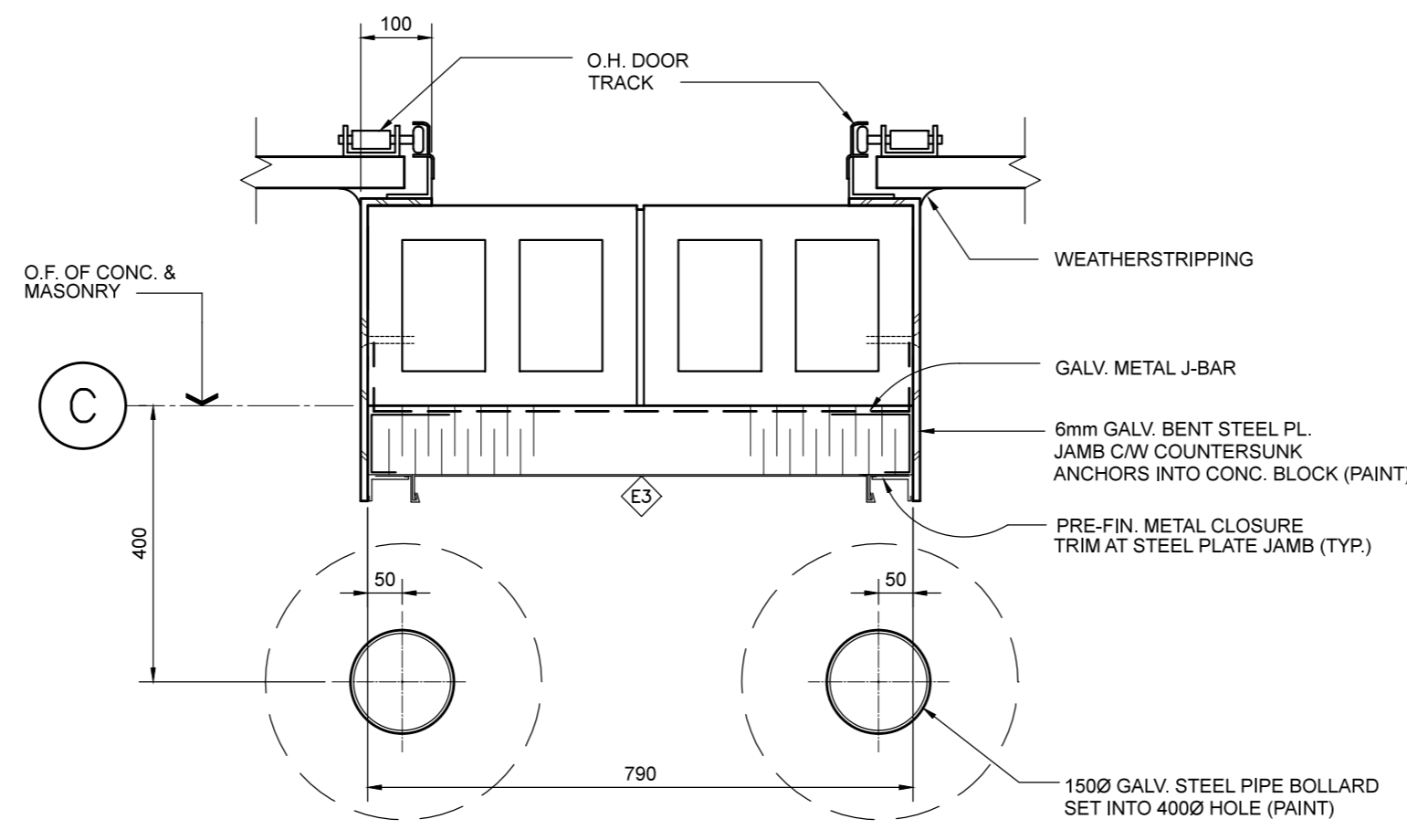
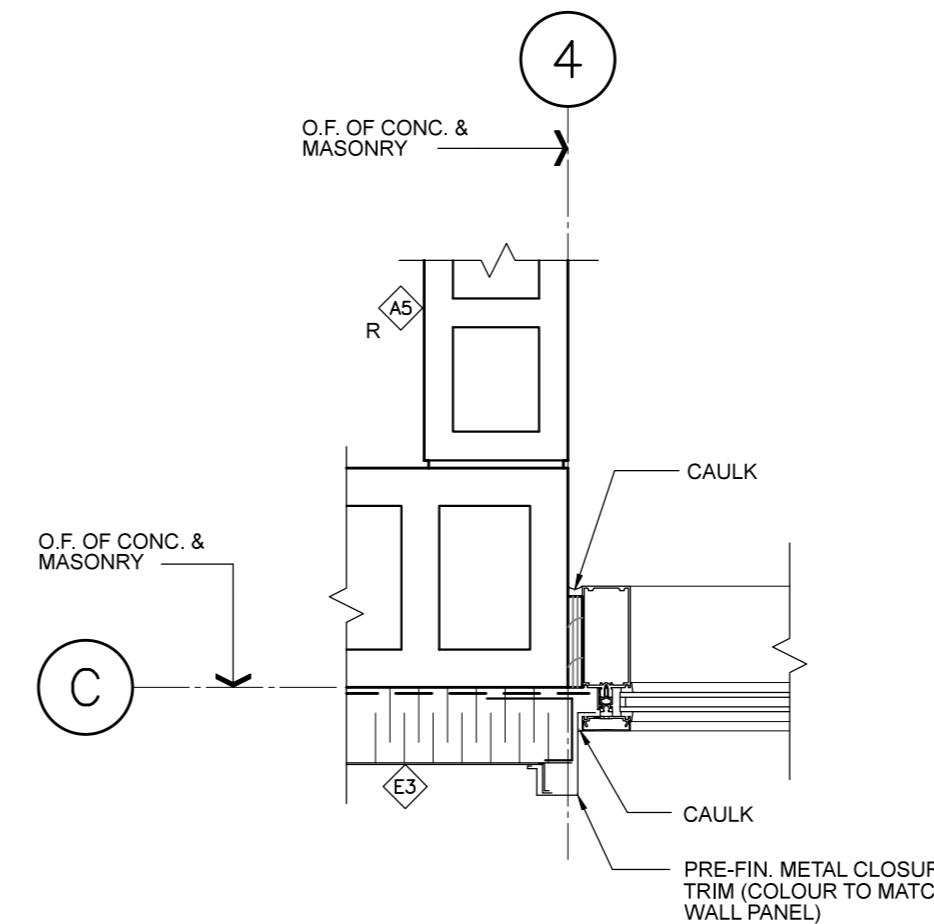


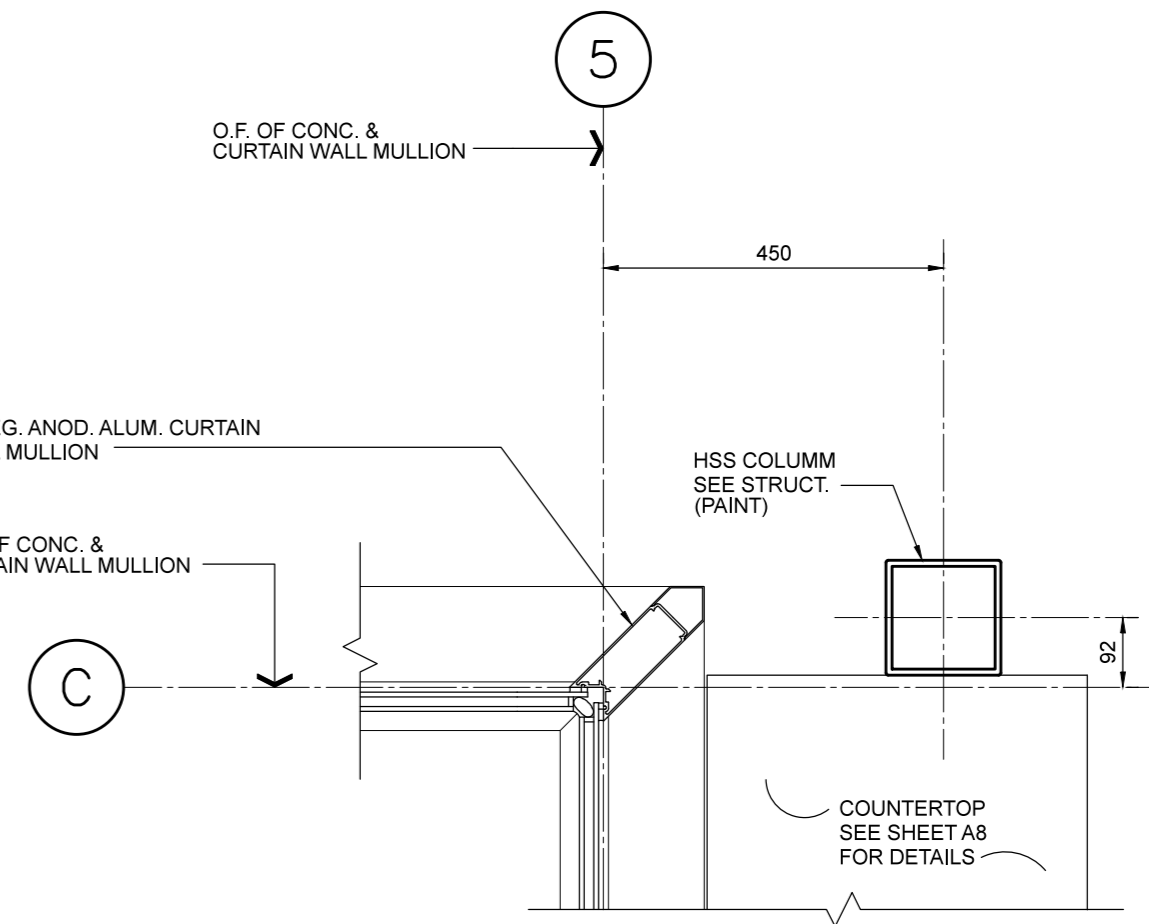
1 O.H. DOOR PLAN DETAIL
A6.1 SCALE 1:10



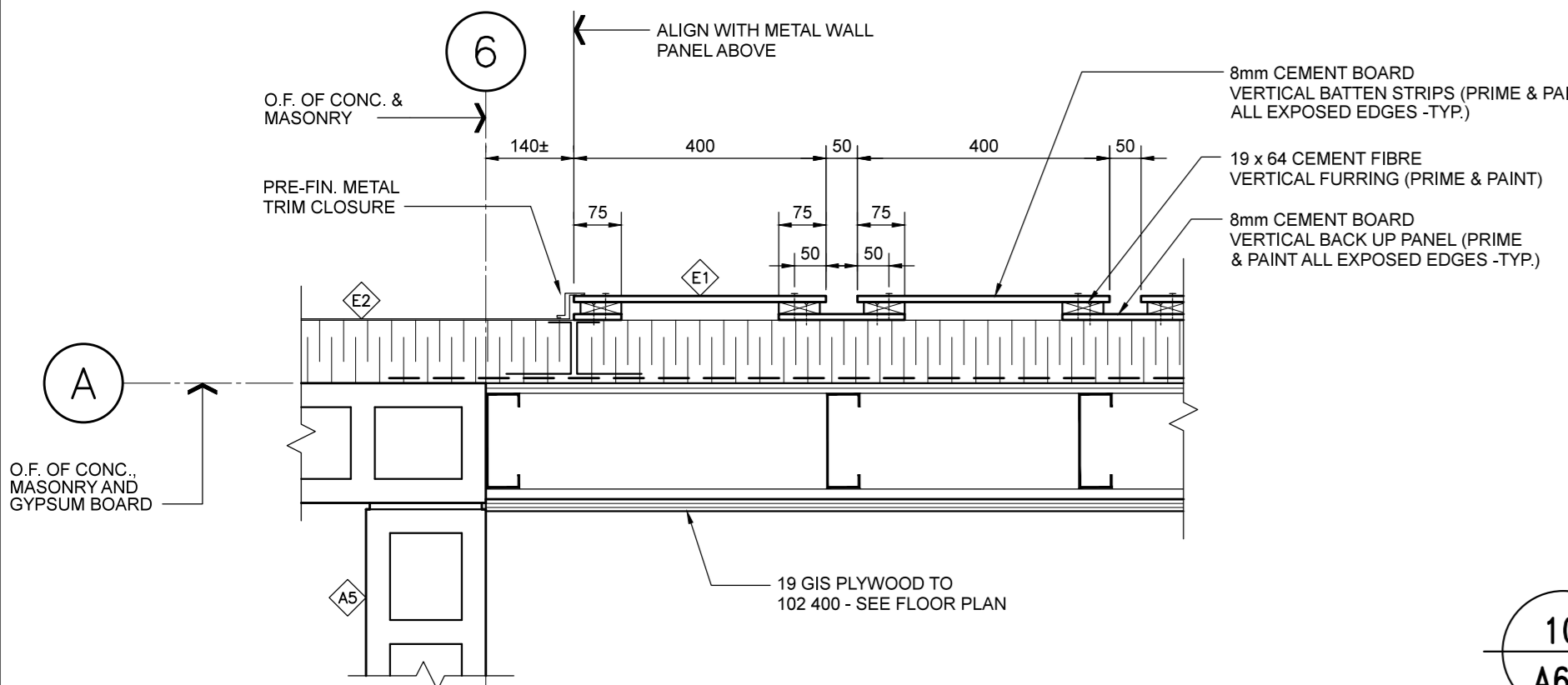
2 O.H. DOOR PLAN DETAIL
A6.1 SCALE 1:10



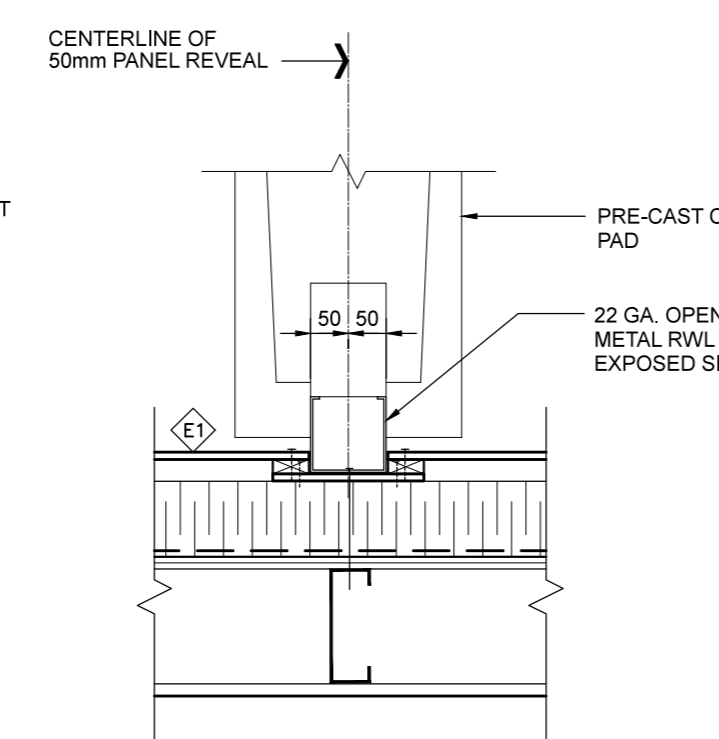
3 PLAN DETAIL
A6.1 SCALE 1:10



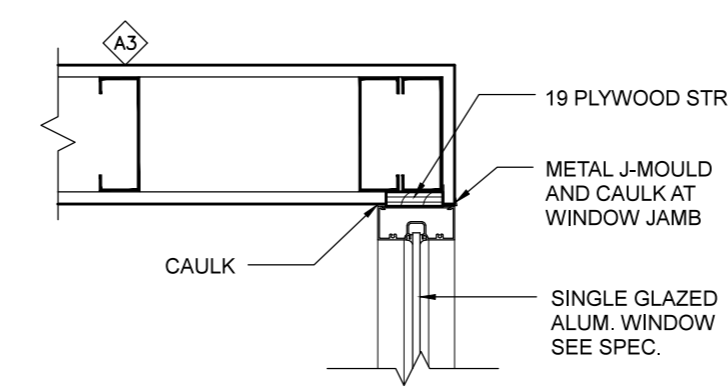
4 PLAN DETAIL
A6.1 SCALE 1:10



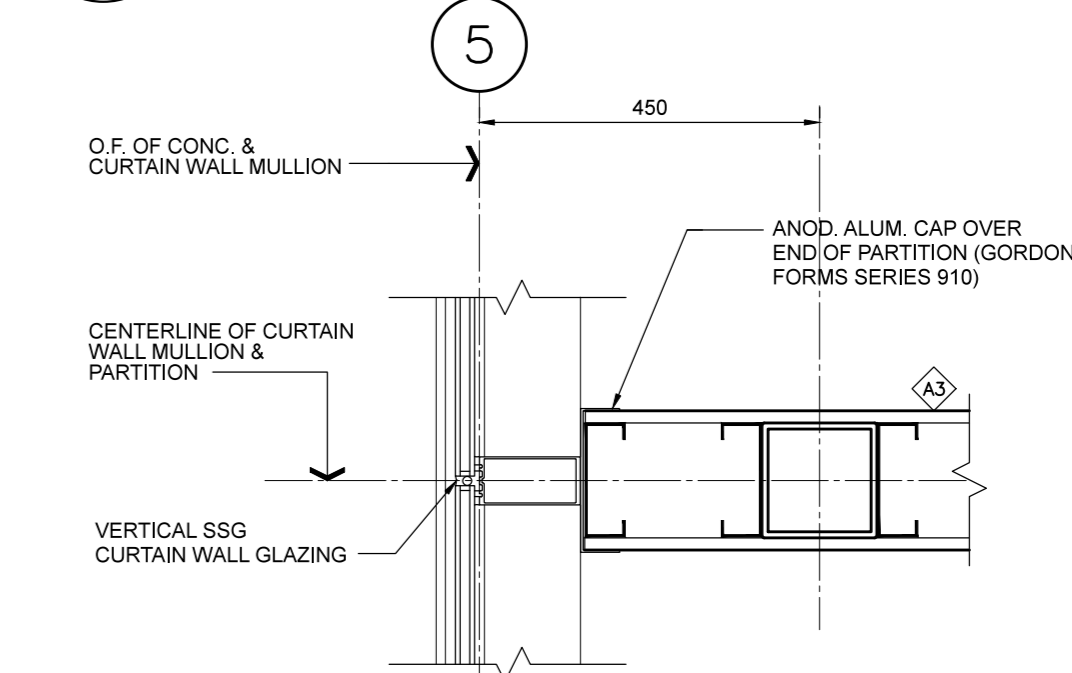
6 PLAN DETAIL
A6.1 SCALE 1:10



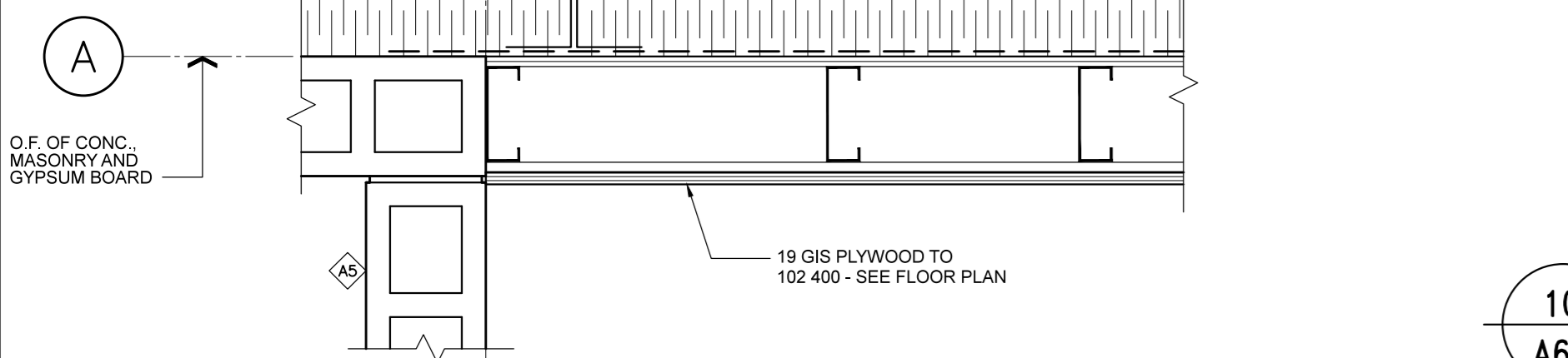
10 PLAN DETAIL AT RWL
A6.1 SCALE 1:10



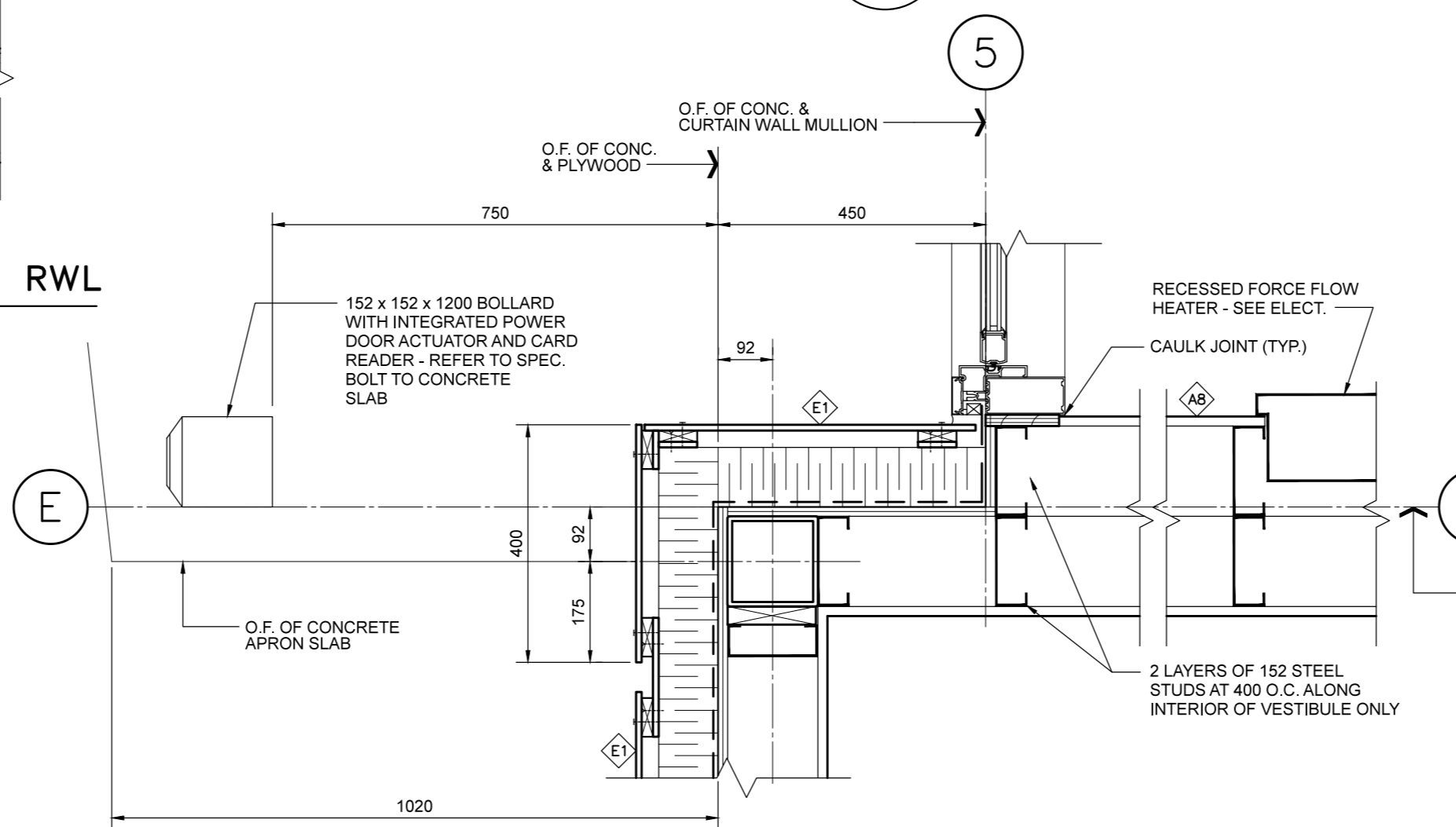
11 PLAN DETAIL
A6.1 SCALE 1:10



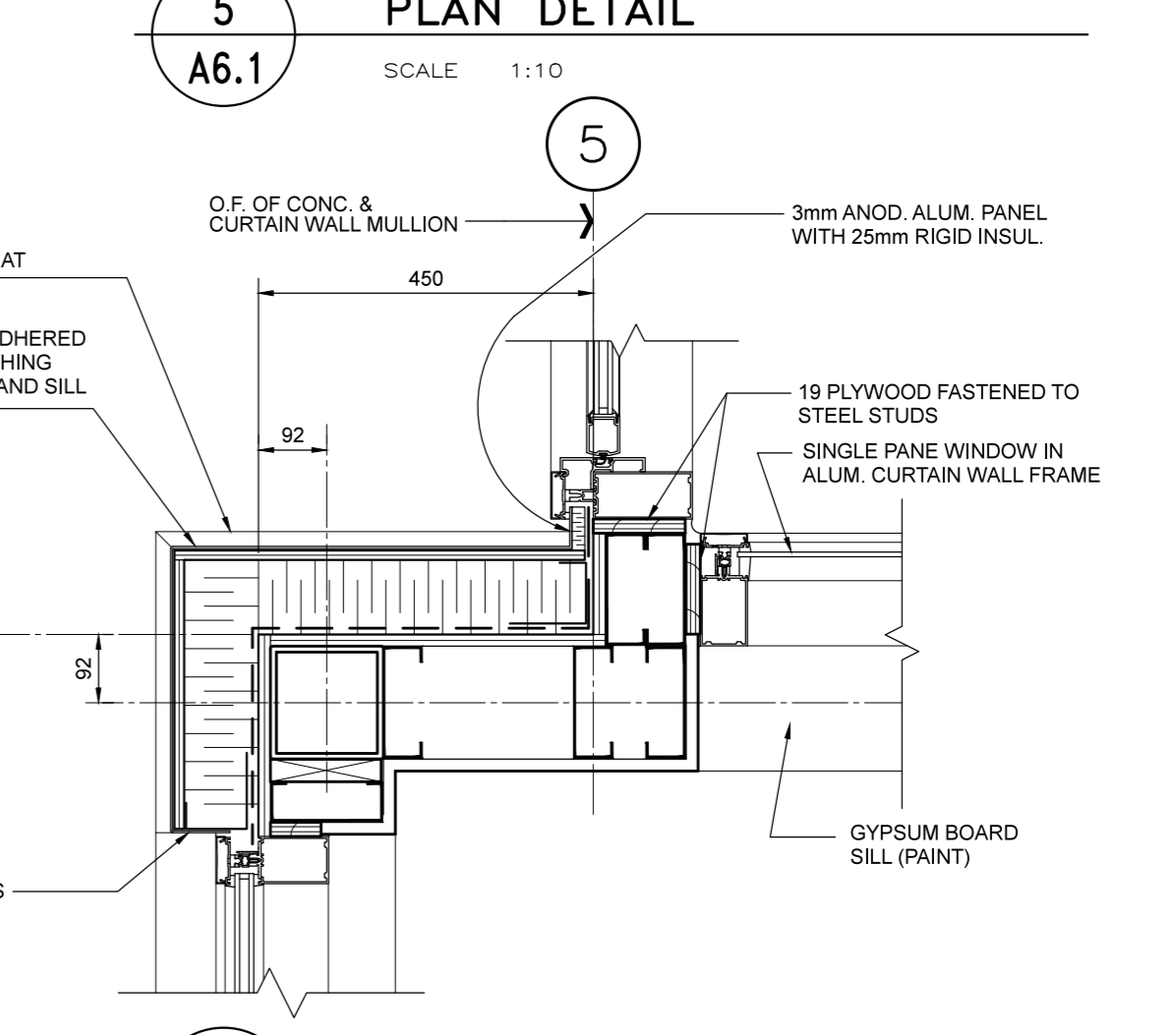
5 PLAN DETAIL
A6.1 SCALE 1:10



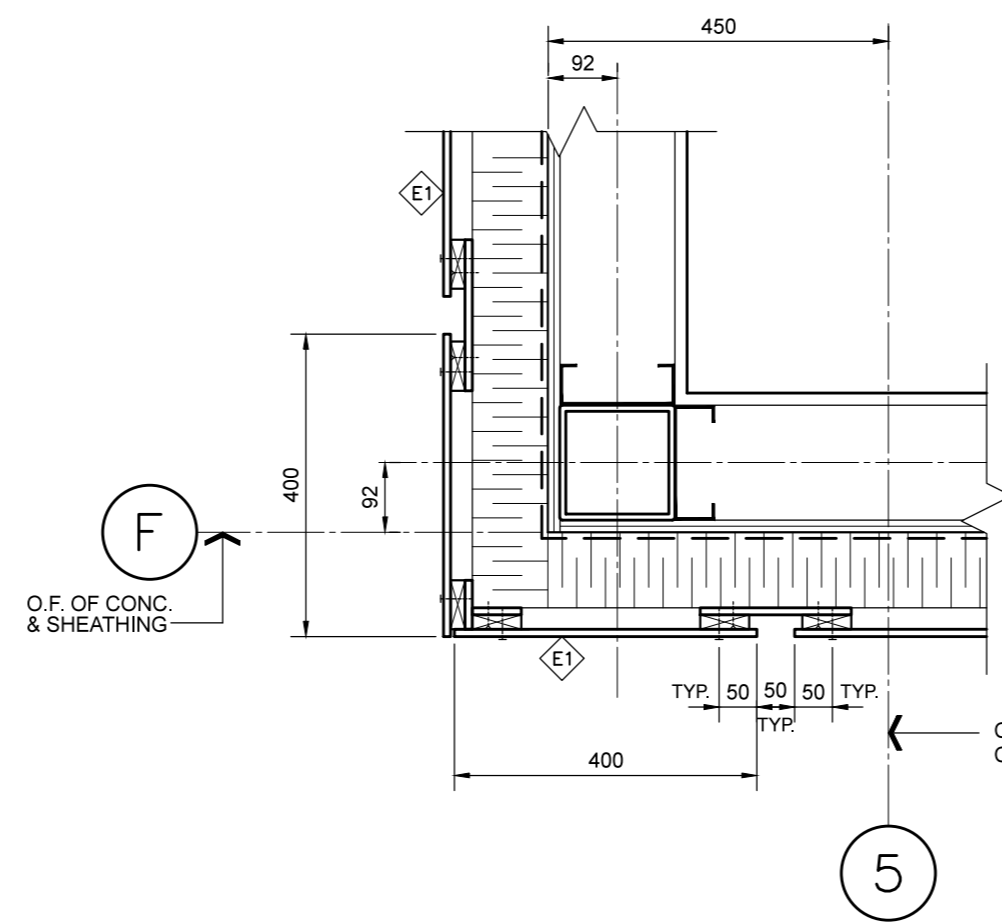
9 PLAN DETAIL
A6.1 SCALE 1:10



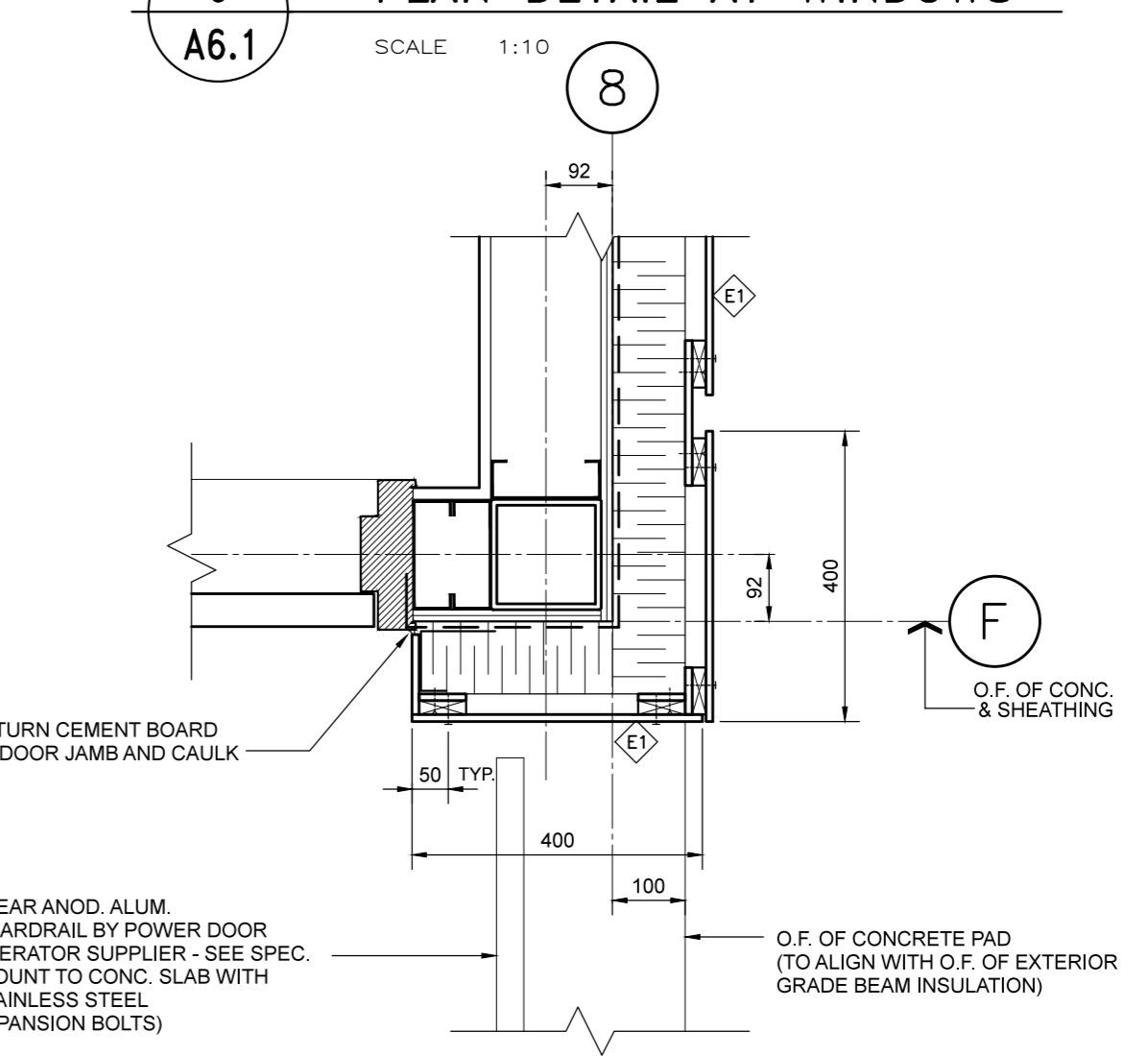
6A PLAN DETAIL ABOVE & BELOW WINDOWS
A6.1 SCALE 1:10



6 PLAN DETAIL AT WINDOWS
A6.1 SCALE 1:10

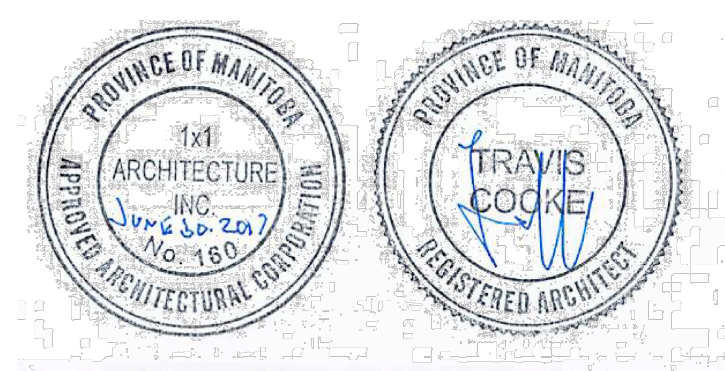


7 PLAN DETAIL
A6.1 SCALE 1:10



8 PLAN DETAIL AT DOOR
A6.1 SCALE 1:10

4	YY.MM.DD	-
3	YY.MM.DD	-
2	YY.MM.DD	-
1	YY.MM.DD	-
0	17.06.30	ISSUED FOR CONSTRUCTION
No.	DATE	REVISION / ISSUANCE



Architect

1x1 architecture inc.
120 Fort Street, Suite 03 - Wapping, Toronto, ON M5E 1B4

Engineer

Project: BID OPPORTUNITY 450 - 2017
KILDONAN PARK MAINTENANCE BUILDING

Sheet Title: **PLAN DETAILS**

Project No.: 1559
Date: JUNE 30, 2017

A6.1