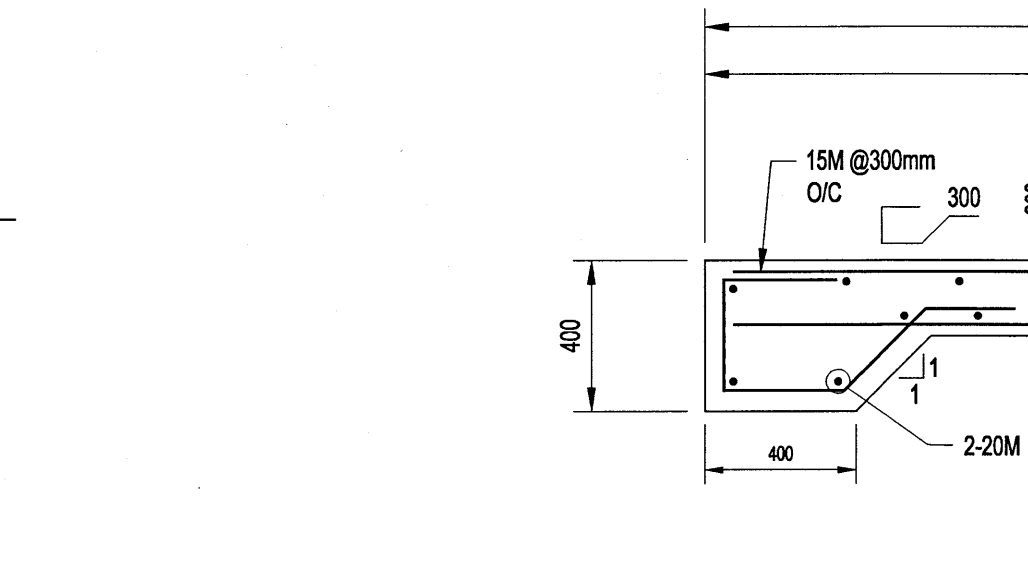
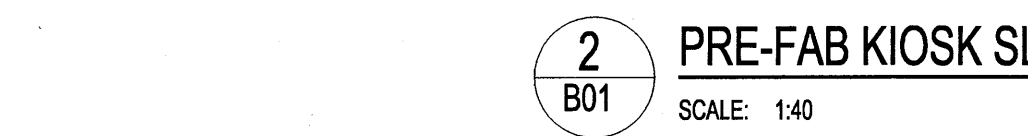
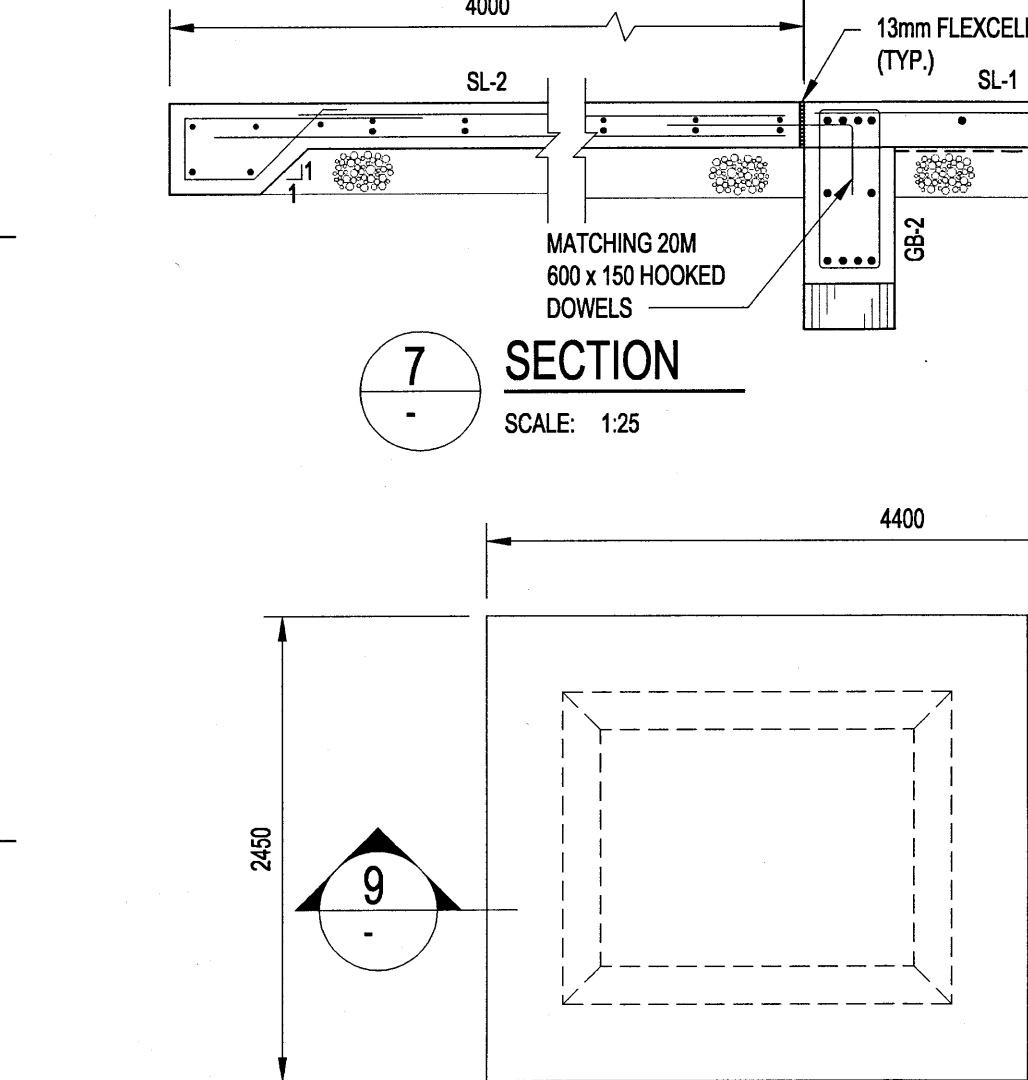
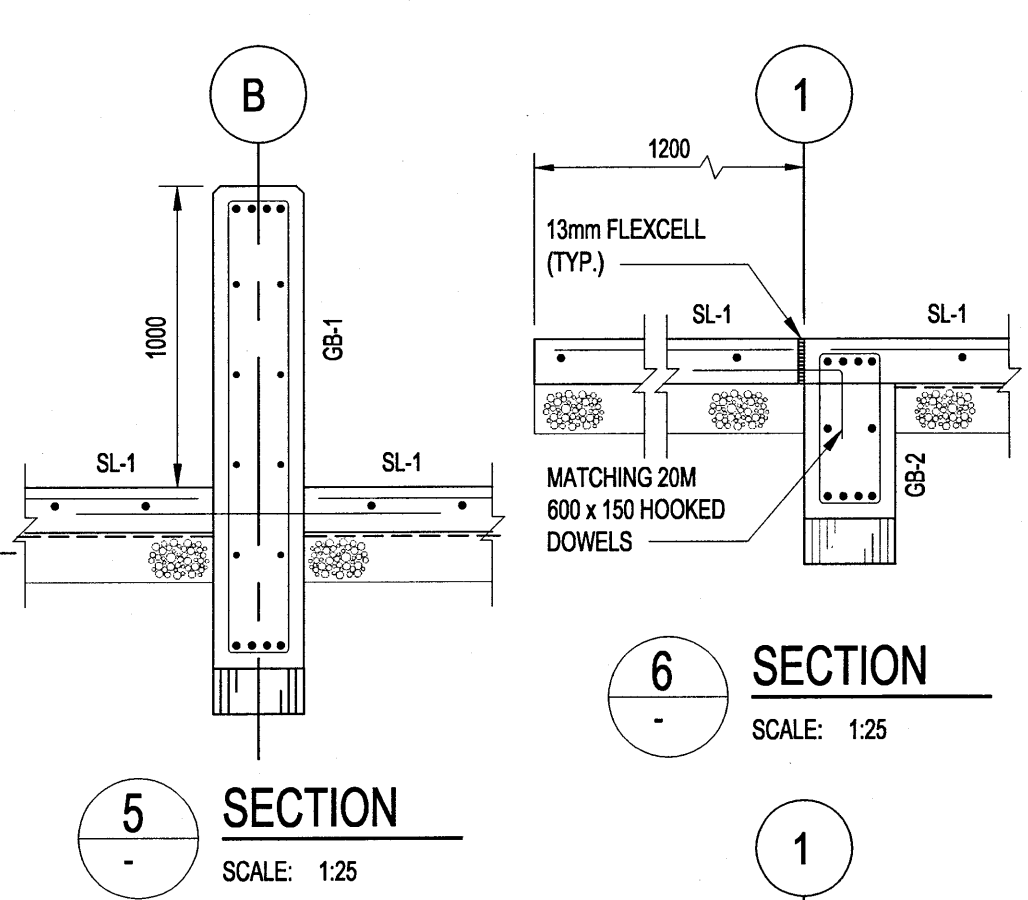
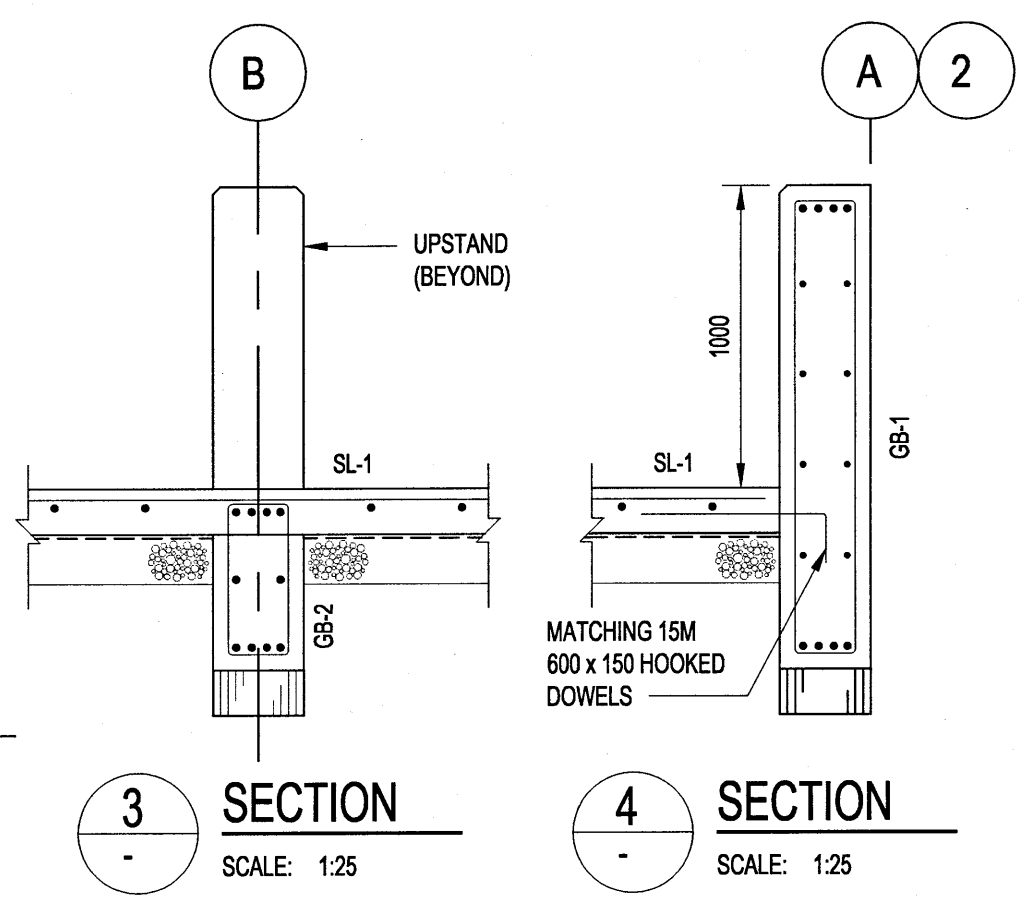
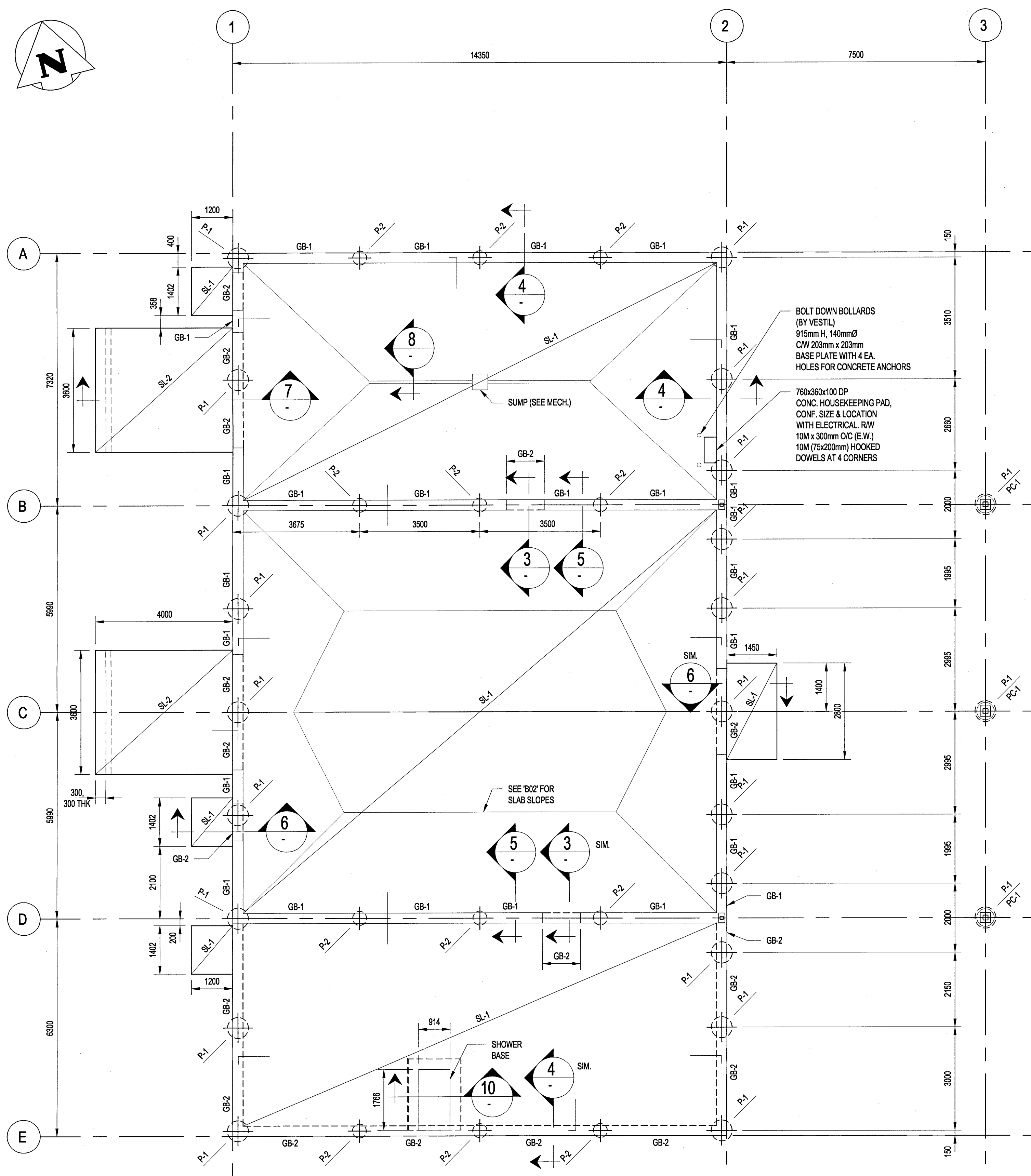


16-0107-010\16-0107-010_S01.dwg

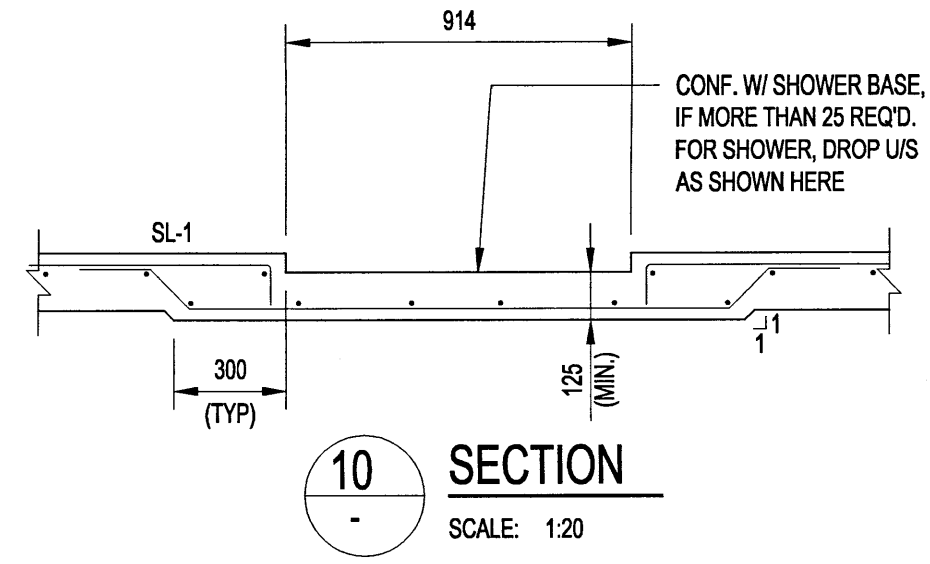


| CONC. BEAM SCHEDULE | |
|---------------------|---|
| MARK | DESCRIPTION |
| GB-1 | 600mmx300mm WIDE CONC. GRADE BEAM W/1000mm UPSTAND RW 4-20M TOP & BOT. HOOK DOWN TOP 2 BARS @ DOOR OPENINGS 10M STIRS @ 300 O/C 10M HORIZ. @ 300 O/C E.F. |
| GB-2 | 600mmx300mm WIDE CONC. GRADE BEAM RW 4-20M TOP & BOT. 10M STIRS @ 300 O/C 2-ADD. 10M HORIZ. 1 E.F. |

| C.I.P. PILE SCHEDULE | |
|----------------------|--|
| MARK | DESCRIPTION |
| P-1 | 6100 x 11.0m RW 6-20M FULL HT. 10M RINGS, TOP 4 @ 150 O/C REMAINDER @ 300 O/C @ GB: PROVIDE 4-20M x 1200 LG DOWELS EMBED MIN 450 INTO GB ABOVE @ PC: EXTEND VERTS 450 INTO PC HOOK 90° |
| P-2 | 4050 x 11.0m RW 5-15M FULL HT. 10M RINGS, TOP 4 @ 150 O/C REMAINDER @ 300 O/C @ GB: PROVIDE 4-15M x 1200 LG DOWELS EMBED MIN 450 INTO GB ABOVE |

| CONC. PILE CAP SCHEDULE | |
|-------------------------|--|
| MARK | DESCRIPTION |
| PC-1 | 5080x610 DP C.I.P. CONC. PILE CAP RW 8-20M VERT. 10M RINGS @ 100 O/C |

| CONC. SLAB SCHEDULE | |
|---------------------|---|
| MARK | DESCRIPTION |
| SL-1 | 150 THK CONC. SLAB RW 10M @ 300 O/C E.W. TOP |
| SL-2 | 150 THICKENED EDGE SLAB-ON-GRADE RW 10M @ 300 O/C E.W. TOP 15M @ 300 O/C E.W. BOT |
| SL-2A | 150 THK SLAB-ON-GRADE RW TOP 10M @ 300 O/C E.W. BOT 15M @ 300 O/C E.W. BOT |



LOCATION APPROVED UNDERGROUND STRUCTURES

SUPV. U/G STRUCTURES COMMITTEE DATE

NOTE: LOCATION OF UNDERGROUND STRUCTURES AS SHOWN ARE BASED ON THE BEST INFORMATION AVAILABLE BUT NO GUARANTEE IS GIVEN THAT ALL EXISTING UTILITIES ARE SHOWN OR THAT THE GIVEN LOCATIONS ARE EXACT. CONFIRMATION OF EXISTENCE AND EXACT LOCATION OF ALL SERVICES MUST BE OBTAINED FROM THE INDIVIDUAL UTILITIES BEFORE PROCEEDING WITH CONSTRUCTION.

| B.M. ELEV. | DATE | BY |
|------------|-------------------|----------|
| | | |
| | | |
| 0 | ISSUED FOR TENDER | 17/03/29 |
| | NO. REVISIONS | DATE |

KGS GROUP
CONSULTING ENGINEERS

DESIGNED BY: DJP
DRAWN BY: JAR
H.R. SCALE: AS NOTED
VERTICAL: AS NOTED

CHECKED BY: OMS
APPROVED BY: [Signature]
RELEASED FOR CONSTRUCTION: [Signature]
DATE: 16/08/11

ENGINEER'S SEAL
P. PETRAK
Member 14032
PROFESSIONAL ENGINEER
CONSULTANT DRAWING NO. 16-0107-010

THE CITY OF WINNIPEG
WATER AND WASTE DEPARTMENT

Winnipeg PROJECT TITLE

4R WINNIPEG DEPOT EAST WINNIPEG COMMUNITY RESOURCE RECOVERY CENTRE

STRUCTURAL MAIN FLOOR PLANS

SHEET 17 OF 41
COMPUTER FILE NAME 16-0107-010
CONSULTANT DRAWING NUMBER S01