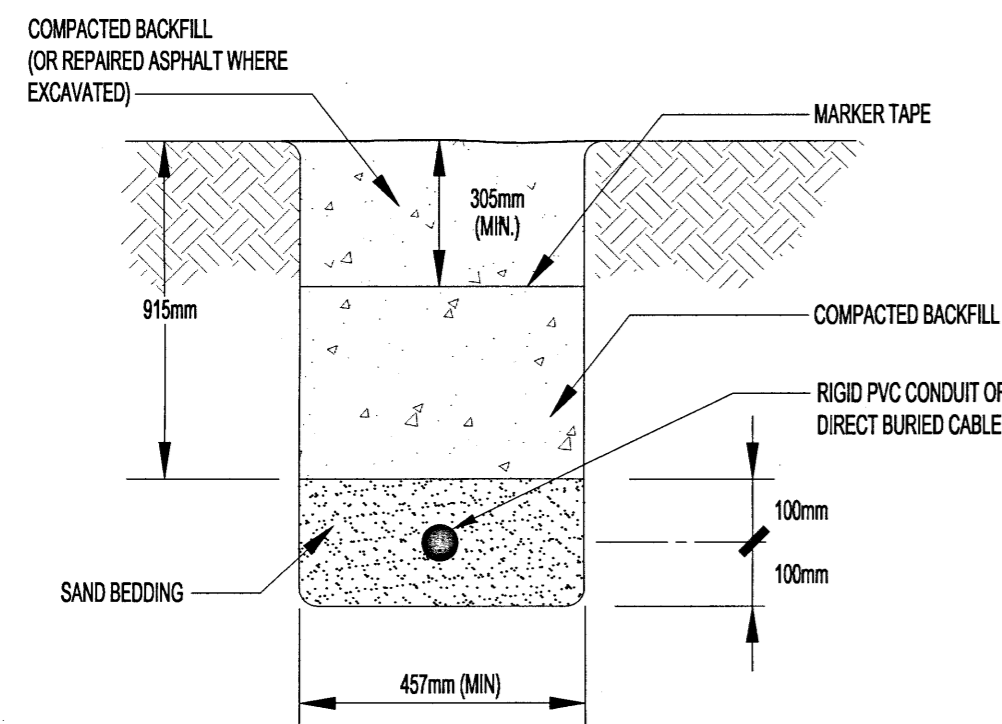
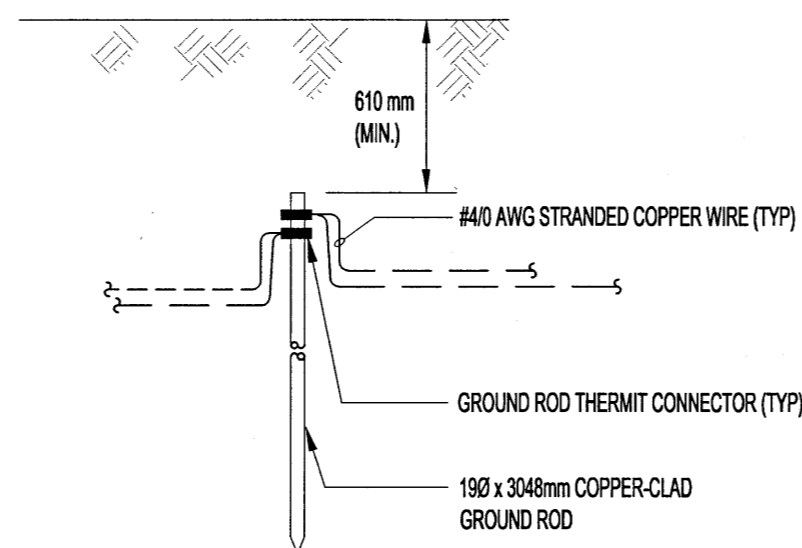


GENERAL NOTES:

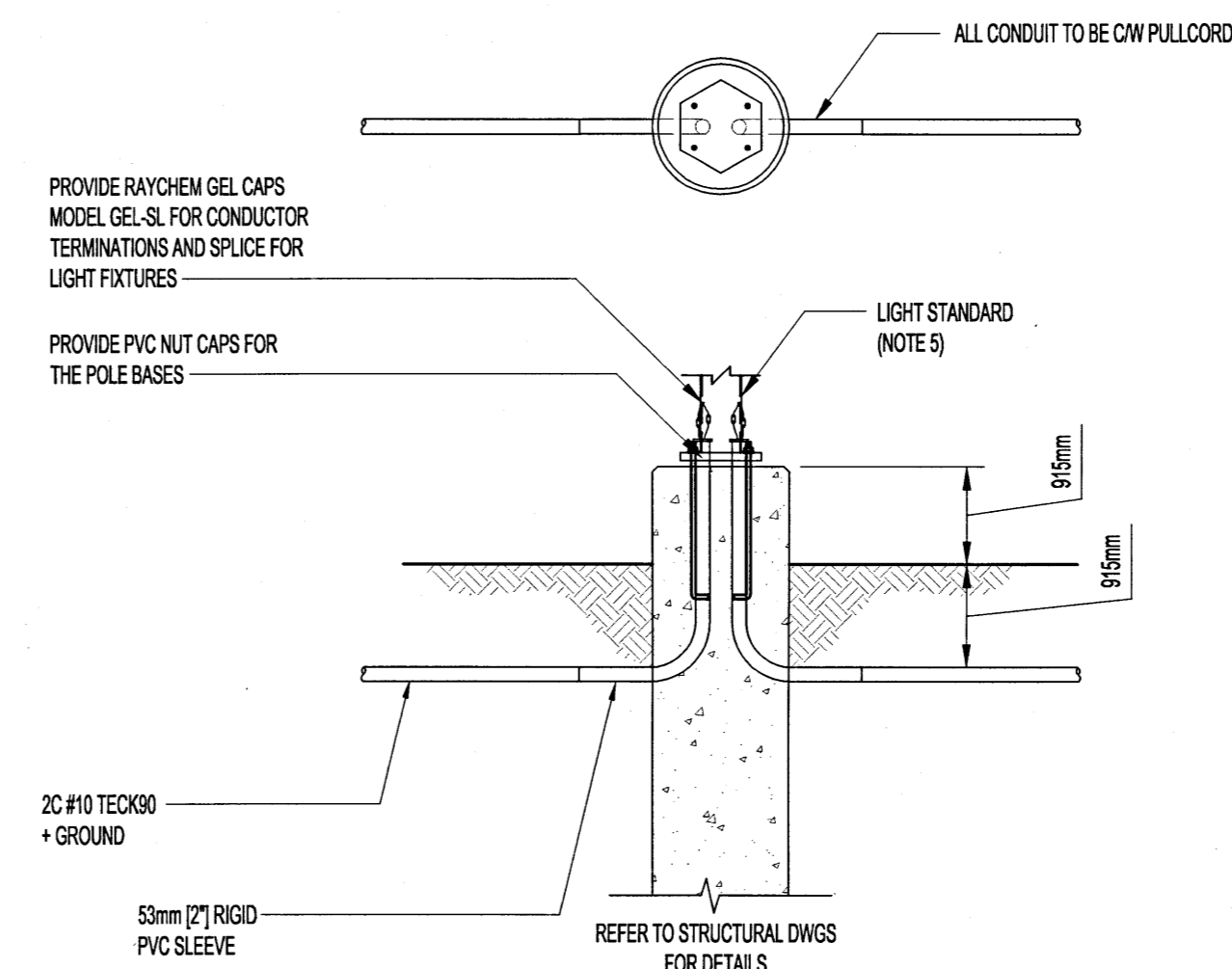
1. PROVIDE ONE (1) 600V, 20A RATED 2 COIL, 4 POLE RELAY.
APPROVED MANUFACTURERS:
- ALLEN BRADLEY, SQUARE D, SIEMENS OR EQUIVALENT IN ACCORDANCE WITH B7.
2. PROVIDE ONE (1) PANEL MOUNT 3 POSITION 120V SELECTOR SWITCH.
APPROVED MANUFACTURERS:
- ALLEN BRADLEY, SQUARE D, SIEMENS OR EQUIVALENT IN ACCORDANCE WITH B7.
3. SIZE ENCLOSURE TO SUIT ENCLOSED EQUIPMENT.
4. PANEL MOUNT LED.
APPROVED MANUFACTURERS:
- ALLEN BRADLEY, SQUARE D, SIEMENS OR EQUIVALENT IN ACCORDANCE WITH B7.
5. MOUNT POLES ON CONCRETE BASES, CENTERED, PLUMBED AND TRUE. UTILIZE SHIMS AS REQUIRED.
6. PROVIDE A TORQ MECHANICAL TIME CLOCK AND PHOTOCELL OR EQUIVALENT IN ACCORDANCE WITH B7.



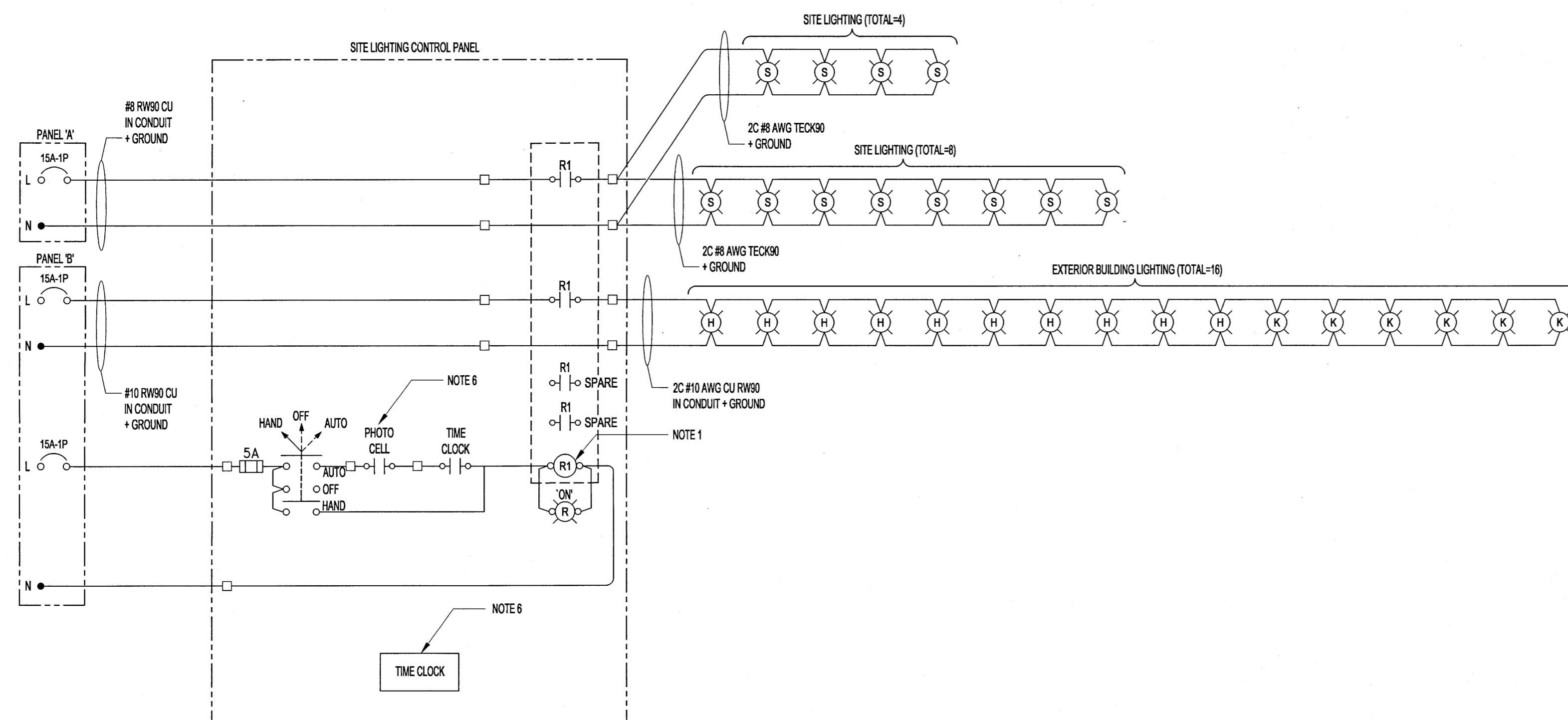
A UNDERGROUND CONDUIT AND CABLE TRENCH DETAIL
N.T.S.



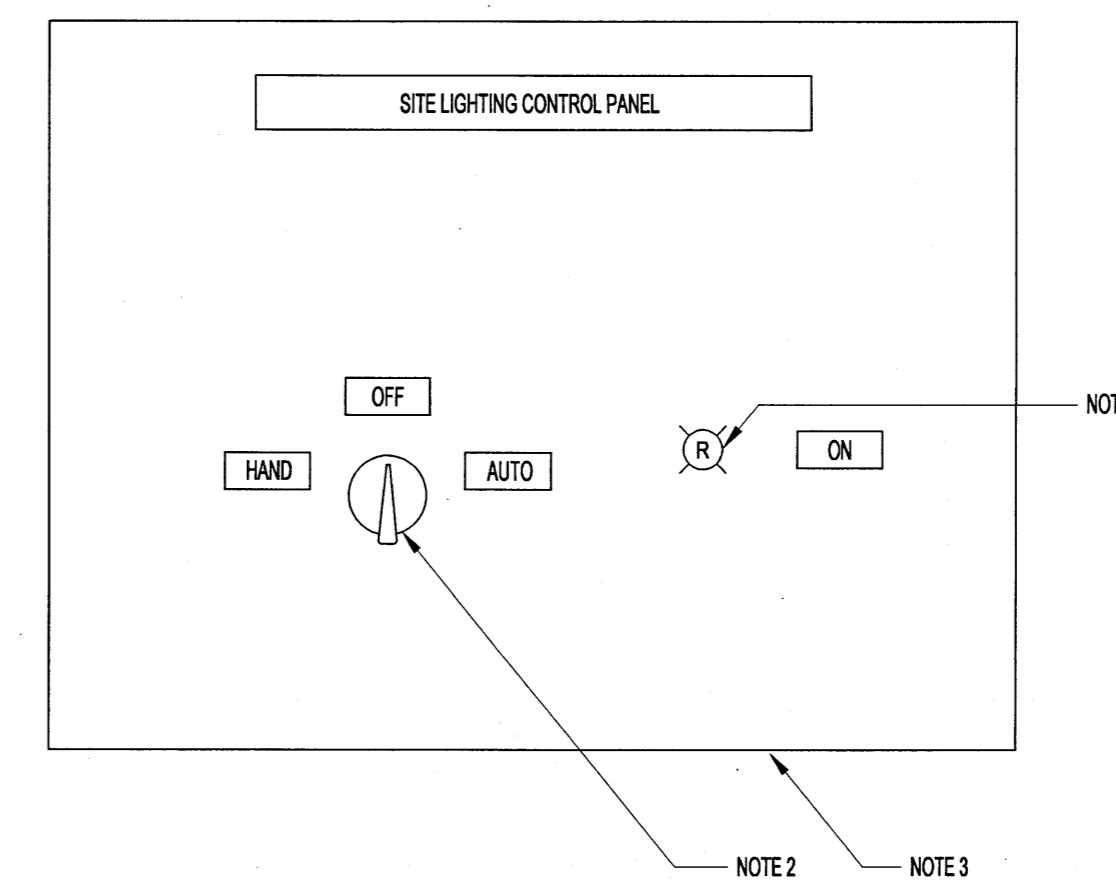
B GROUND ROD DETAIL
N.T.S.



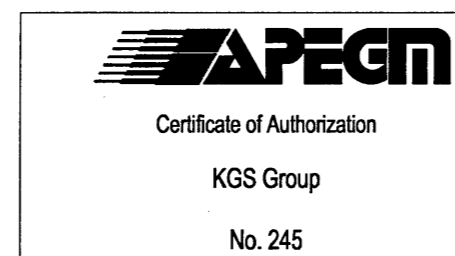
C LIGHT POLE CONNECTION DETAIL
N.T.S.



D SITE LIGHTING CONTROL DIAGRAM
N.T.S.



E SITE LIGHTING CONTROL PANEL 1 LAYOUT
N.T.S.



LOCATION APPROVED UNDERGROUND STRUCTURES

SUPV. U/G STRUCTURES COMMITTEE DATE

NOTE:
LOCATION OF UNDERGROUND STRUCTURES AS SHOWN ARE BASED ON THE BEST INFORMATION AVAILABLE BUT NO GUARANTEE IS GIVEN THAT ALL EXISTING UTILITIES ARE SHOWN OR THAT THE GIVEN LOCATIONS ARE EXACT. CONFIRMATION OF EXISTENCE AND EXACT LOCATION OF ALL SERVICES MUST BE OBTAINED FROM THE INDIVIDUAL UTILITIES BEFORE PROCEEDING WITH CONSTRUCTION.

B.M. ELEV.	DATE	BY
0	ISSUED FOR TENDER	17/03/14 C.L.S.
	NO. REVISIONS	DATE BY

KGS GROUP CONSULTING ENGINEERS	
DESIGNED BY: QLS	CHECKED BY: <i>CLS</i>
DRAWN BY: SOC	APPROVED BY: <i>CLS</i>
HOR. SCALE: AS NOTED	RELEASED FOR CONSTRUCTION:
VERTICAL: AS NOTED	DATE
DATE: 16/08/17	DATE

ENGINEER'S SEAL
CONSULTANT PROJECT NO. 16-0107-010

<p>THE CITY OF WINNIPEG WATER AND WASTE DEPARTMENT</p>	
PROJECT TITLE	SHEET OF
4R WINNIPEG DEPOT EAST WINNIPEG COMMUNITY RESOURCE RECOVERY CENTRE ELECTRICAL DETAILS	35 OF 41
	COMPUTER FILE NAME 16-0107-010
	CONSULTANT DRAWING NUMBER E10