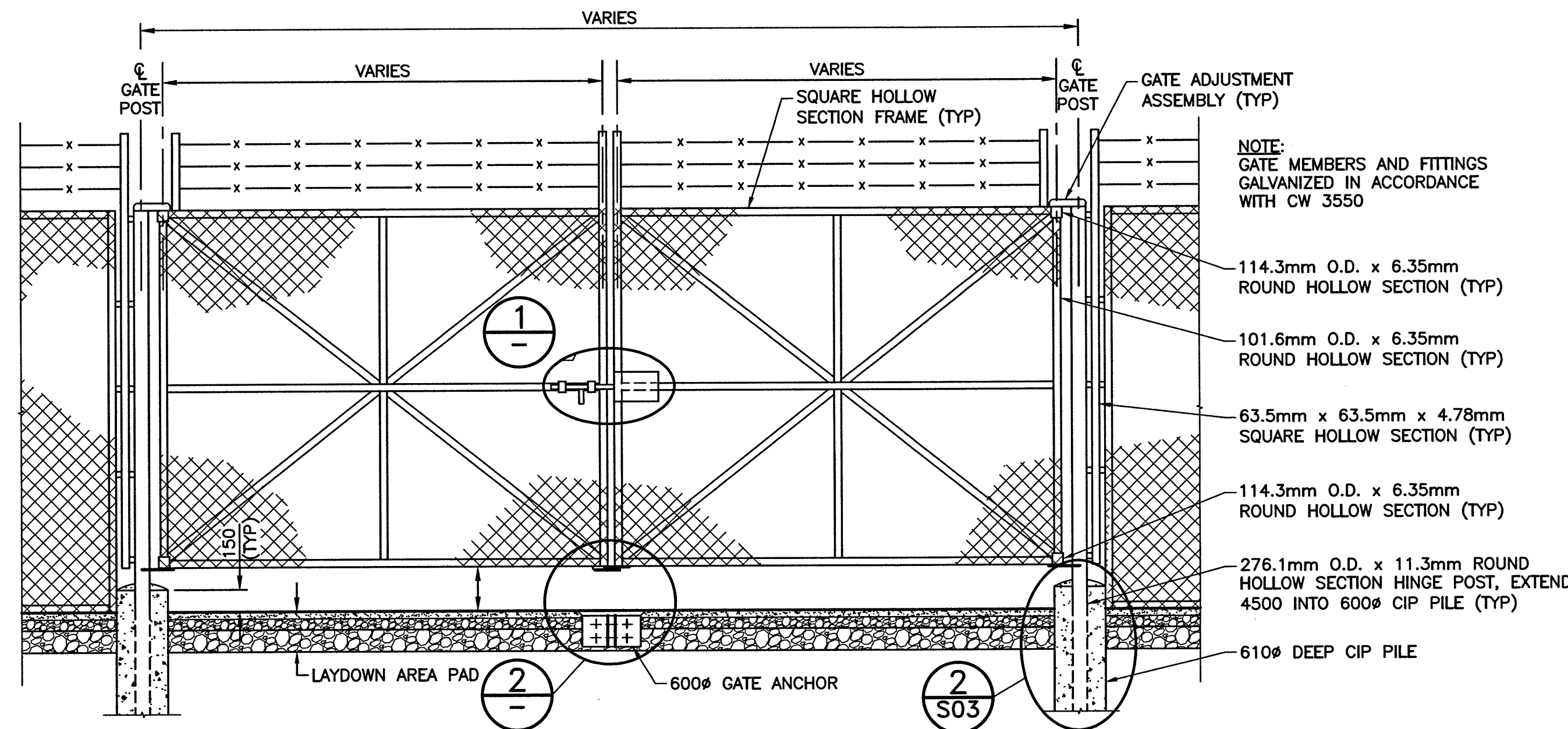
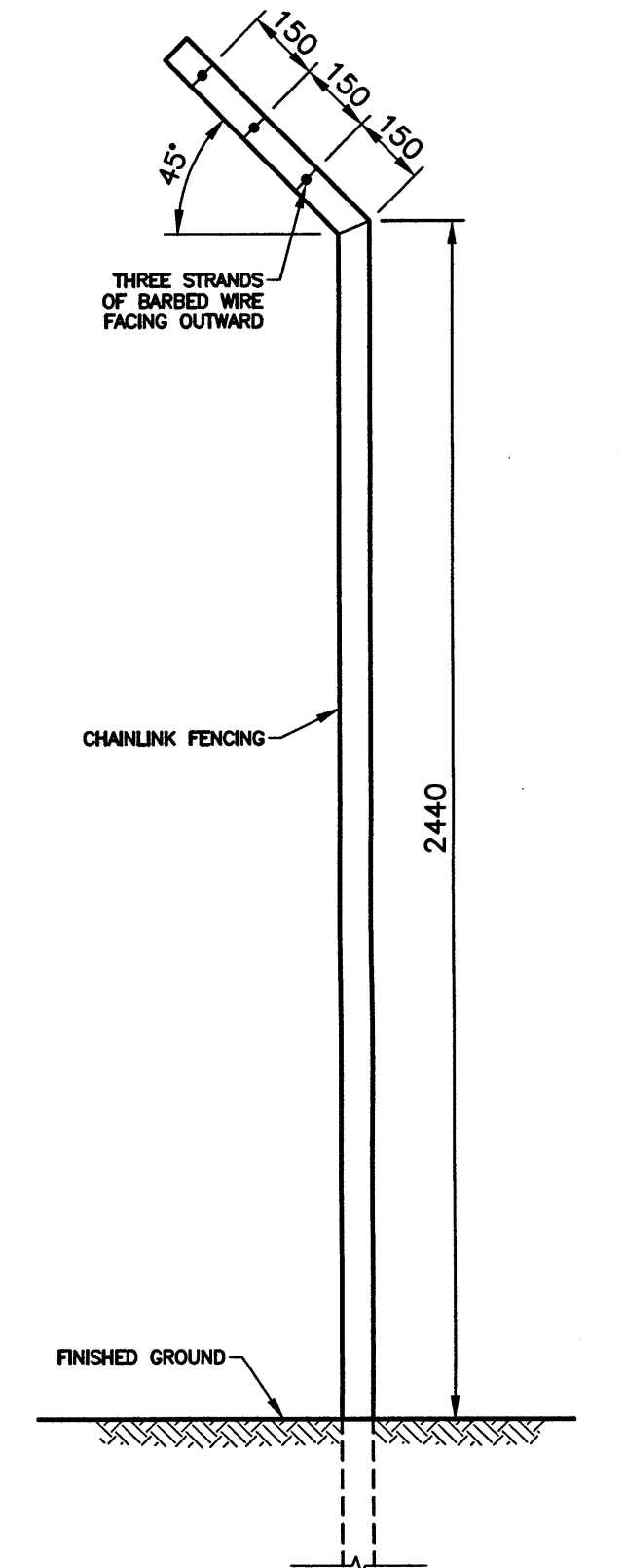


PLAN



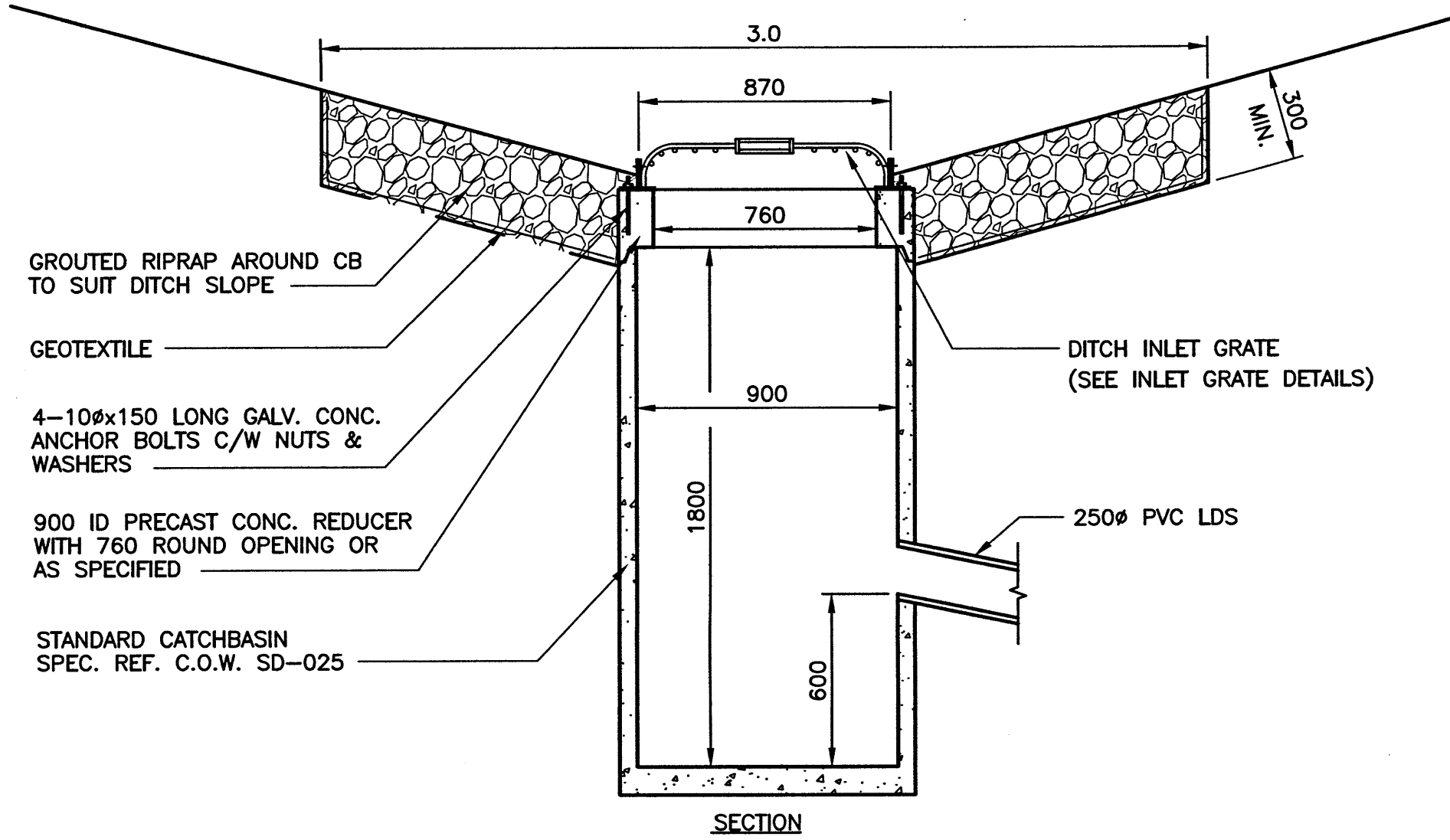
VEHICLE ACCESS GATE DETAIL

SCALE: 1:30



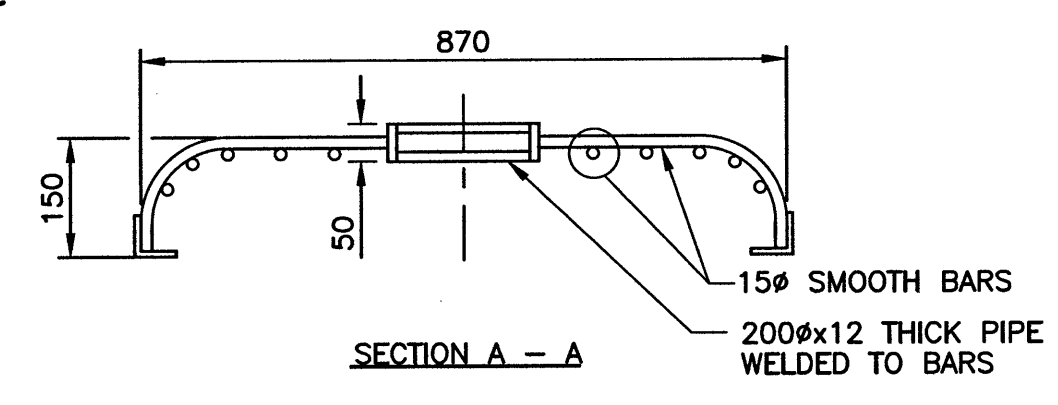
TYPICAL FENCING

SCALE: 1:30

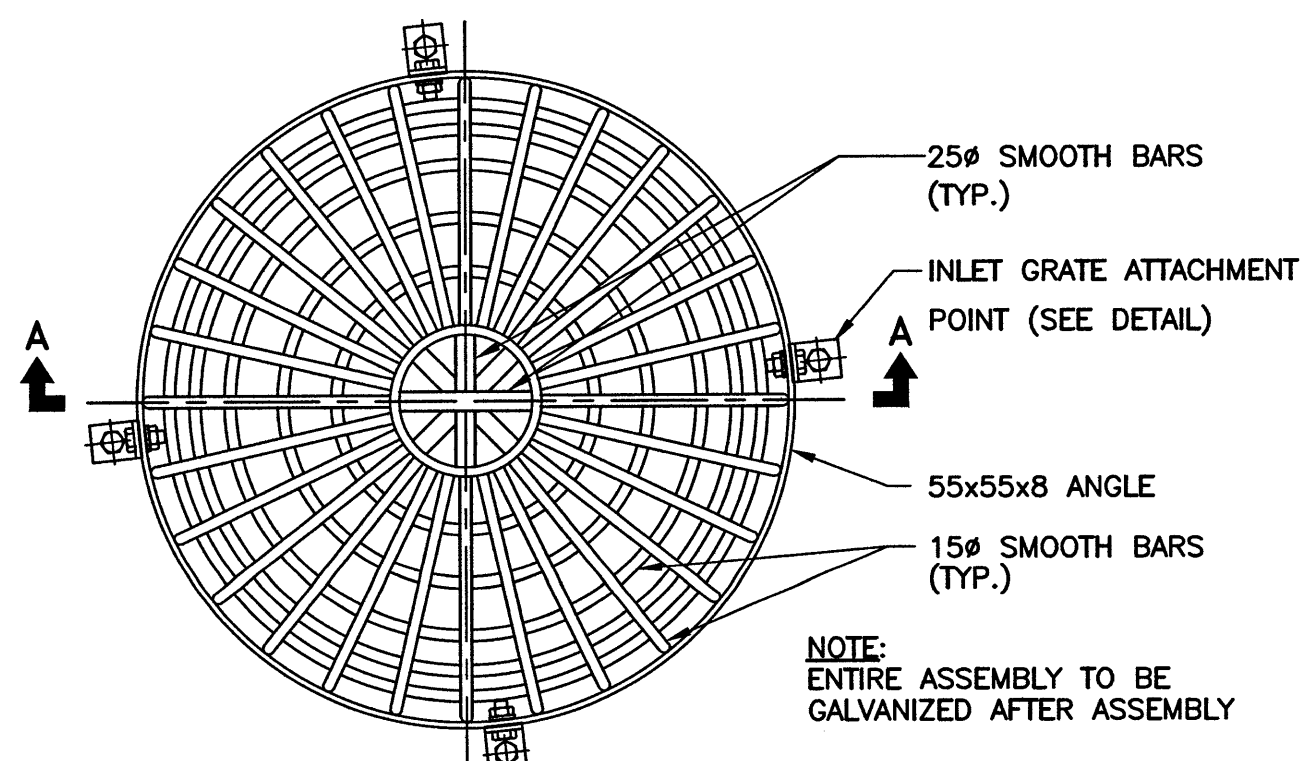


POND CATCHBASIN DETAIL

SCALE: N.T.S.

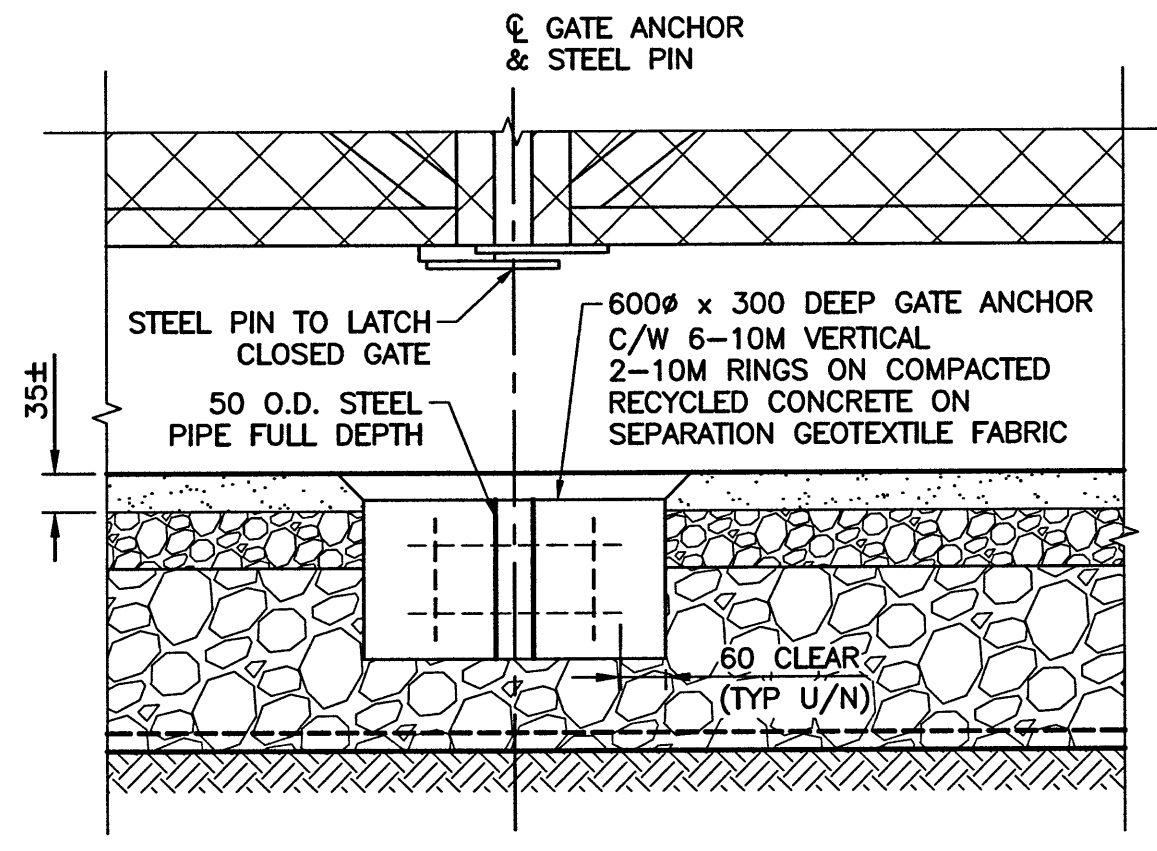


SECTION A - A



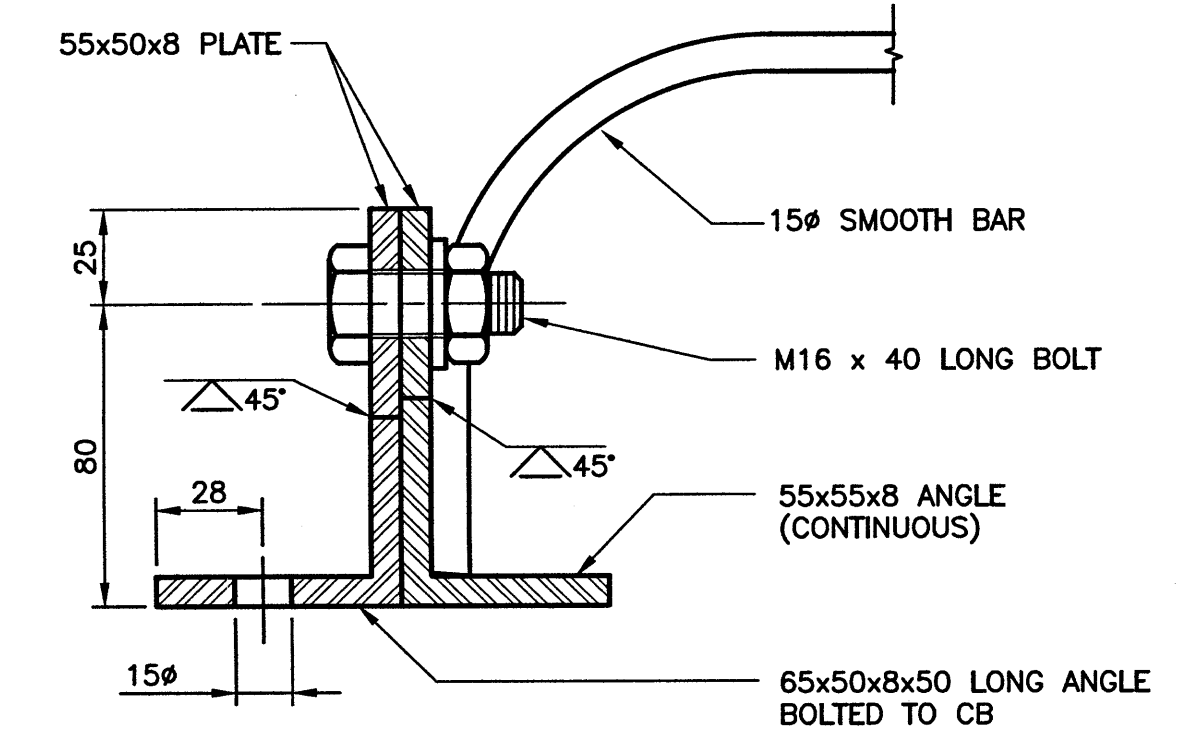
DITCH INLET GRATE

SCALE: 1:10



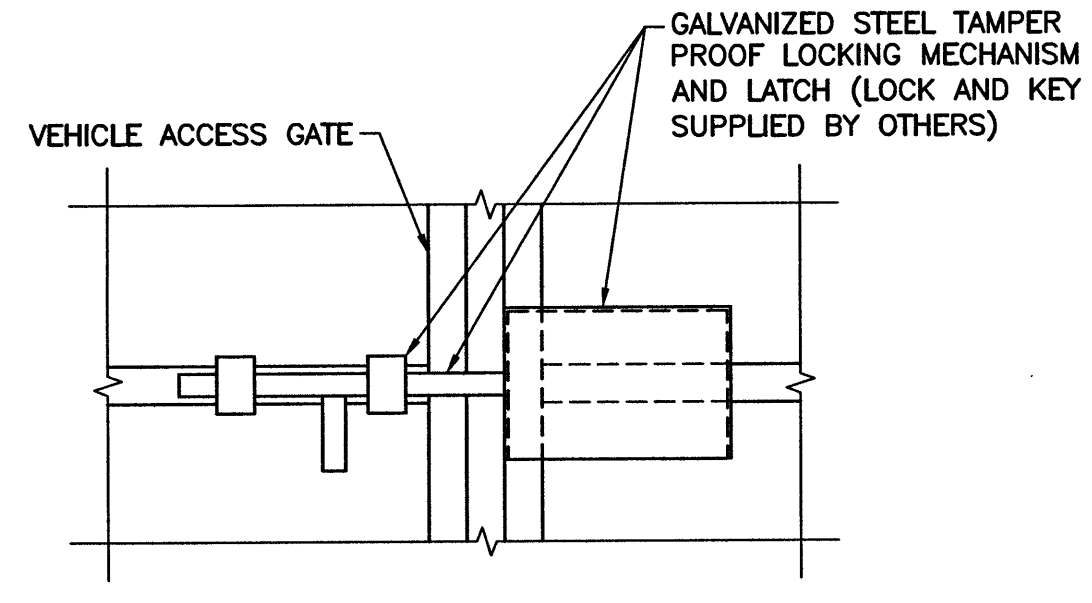
2 DETAIL

SCALE: 1:10



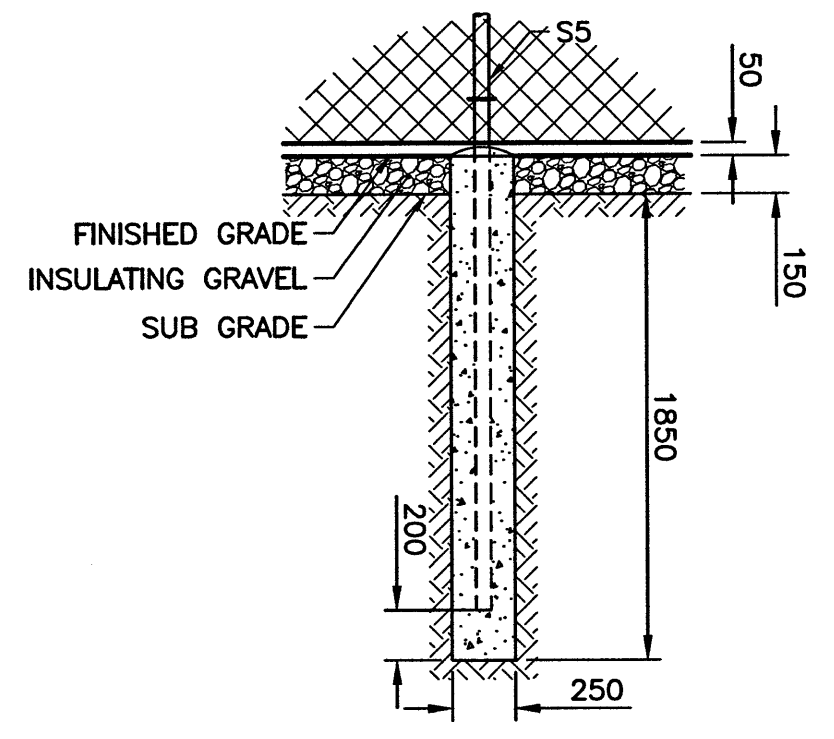
DITCH INLET GRATE ATTACHMENT DETAIL

SCALE: 1:2



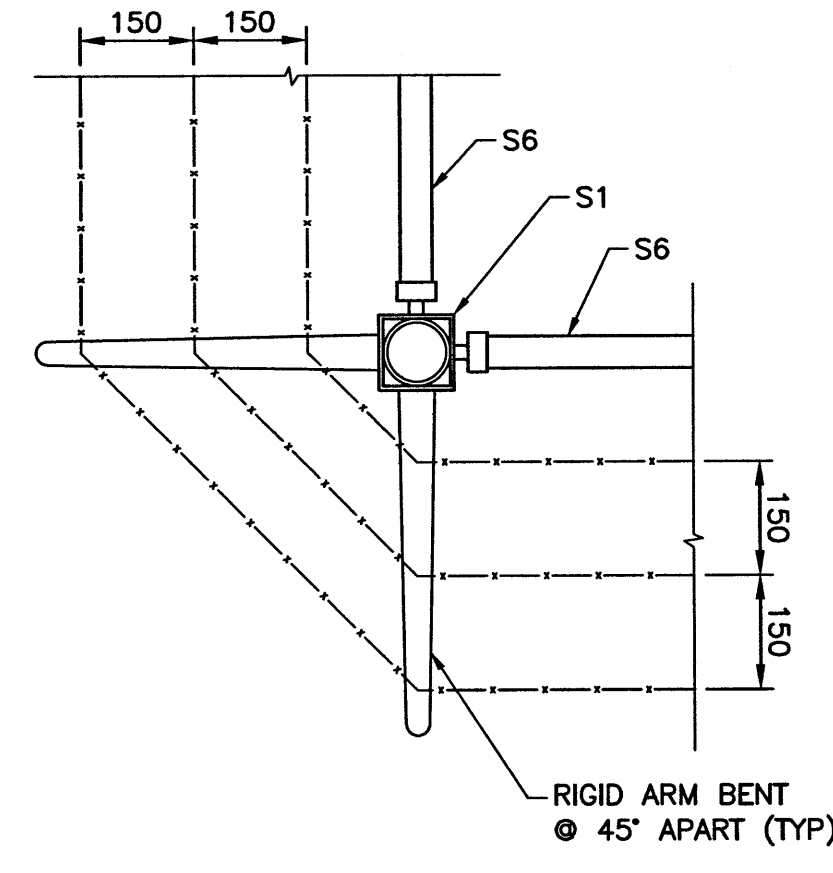
1 DETAIL

SCALE: 1:10



TYPICAL (LINE) POST ELEVATION

SCALE: 1:30



CORNER POST PLAN

SCALE: 1:10

**WARNING**

1. NOTIFY THE GAS COMPANY OF THE PROPOSED LOCATION OF EXCAVATION.
2. TAKE PRECAUTION TO AVOID DAMAGE TO GAS COMPANY INSTALLATIONS.
3. SEE PROVINCIAL REGULATION 210/72 FOR DETAILS.
4. OBTAIN PERMITS PRIOR TO CONSTRUCTION.

**PROPERTY LIMITS DELINEATION**

DELINEATION OF PROPERTY LIMITS AS SHOWN ON THIS DWG DOES NOT REPRESENT A "LEGAL SURVEY". KGS GROUP MAKES NO REPRESENTATION OR WARRANTY AS TO THE ACCURACY OF PROPERTY LIMITS DELINEATED ON THIS DWG, NOR ON THE DIMENSIONAL ACCURACY OF DWG FEATURES RELATIVE TO THOSE PROPERTY LIMITS.

**METRIC**

WHOLE NUMBERS INDICATE MILLIMETRES  
DECIMALIZED NUMBERS INDICATE METRES



150 WM	WATER MAIN	150 WM	HYDRO	150 WM	WATER MAIN	150 WM	WATER MAIN
+	HYDRANT VALVE	+	M.T.S.	+	HYDRANT, VALVE	+	HYDRANT, VALVE
300 LBS	LAND DRAINAGE SEWER	300 LBS	CONCRETE	300 LBS	LAND DRAINAGE SEWER	300 LBS	LAND DRAINAGE SEWER
250 WWS	WASTE WATER SEWER	250 WWS	ASPHALT	250 WWS	WASTE WATER SEWER	250 WWS	WASTE WATER SEWER
○	MANHOLE	○	SIDEWALK	○	MANHOLE	○	MANHOLE
□	CATCH BASIN	□	PLANNING	□	CATCH BASIN	□	CATCH BASIN
▽	CURB INLET	▽	PROPERTY LINE	▽	CURB INLET	▽	CURB INLET
+	JUNCTIONS	+	SURVEY BAR	+	JUNCTIONS	+	JUNCTIONS
+	CULVERT	+	DITCH	+	CULVERT	+	CULVERT
+	GAS	+	ELEVATION	+	GAS	+	GAS
---	EXISTING	---	LEGEND-PLAN	---	EXISTING	---	EXISTING
---	LEGEND-PLAN	---	PROPOSED	---	LEGEND-PROFILE	---	PROPOSED

LOCATION APPROVED UNDERGROUND STRUCTURES		B.M. 33-014	ELEV. 231.421m
SUPV. U/G STRUCTURES COMMITTEE	DATE	DESIGNED BY	PP
NOTE:	LOCATION OF UNDERGROUND STRUCTURES AS SHOWN ARE BASED ON THE BEST INFORMATION AVAILABLE BUT NO GUARANTEE IS GIVEN THAT ALL EXISTING UTILITIES ARE SHOWN OR THAT THE GIVEN LOCATIONS ARE EXACT. CONFIRMATION OF EXISTENCE AND EXACT LOCATION OF ALL SERVICES MUST BE OBTAINED FROM THE INDIVIDUAL UTILITIES BEFORE PROCEEDING WITH CONSTRUCTION.	CHECKED BY	PH
		APPROVED BY	PH
		RELEASER FOR CONSTRUCTION:	
		DATE	16/08/17
NO. REVISIONS	DATE	BY	

<b>KGS GROUP</b> CONSULTING ENGINEERS	
DESIGNED BY	PP
CHECKED BY	PH
DRAWN BY	SAG
APPROVED BY	PH
HOR. SCALE:	AS NOTED
VERTICAL:	-
ISSUED FOR TENDER	17/03/23
DATE	16/08/17

ENGINEER'S SEAL
CONSULTANT PROJECT NO.
16-0107-010

<b>THE CITY OF WINNIPEG</b> WATER AND WASTE DEPARTMENT	
PROJECT TITLE	4R WINNIPEG DEPOT EAST WINNIPEG COMMUNITY RESOURCE RECOVERY CENTRE POND AND FENCING DETAILS
SHEET	07 OF 41
COMPUTER FILE NAME	16-0107-010
CONSULTANT DRAWING NUMBER	C06

File name: P:\Projects\2016\16-0107-010\16-0107-010\_CALL - Tab: C06 Plotted By: sgoel 17/03/23 [Thu 4:04pm]  
 24 x 36 / PLOT SCALE: