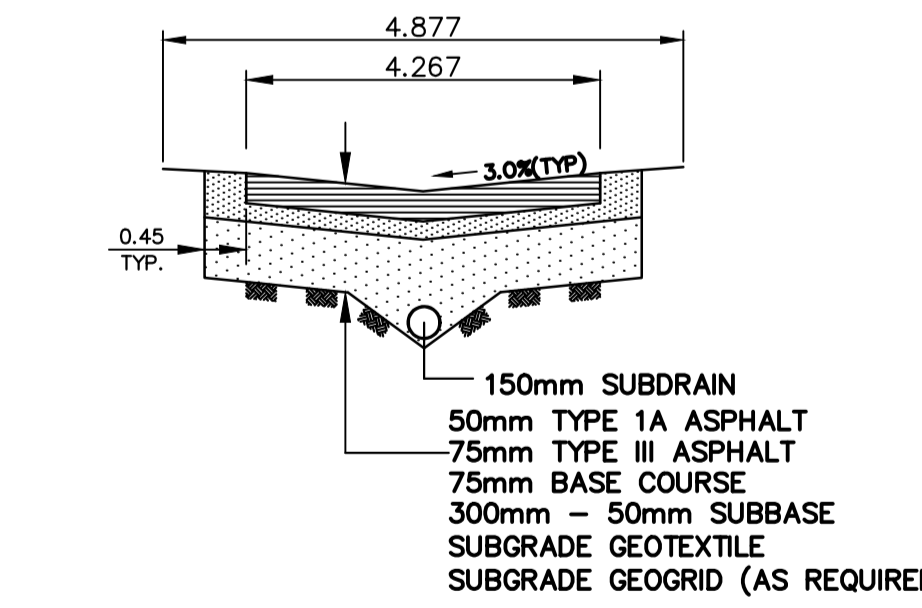
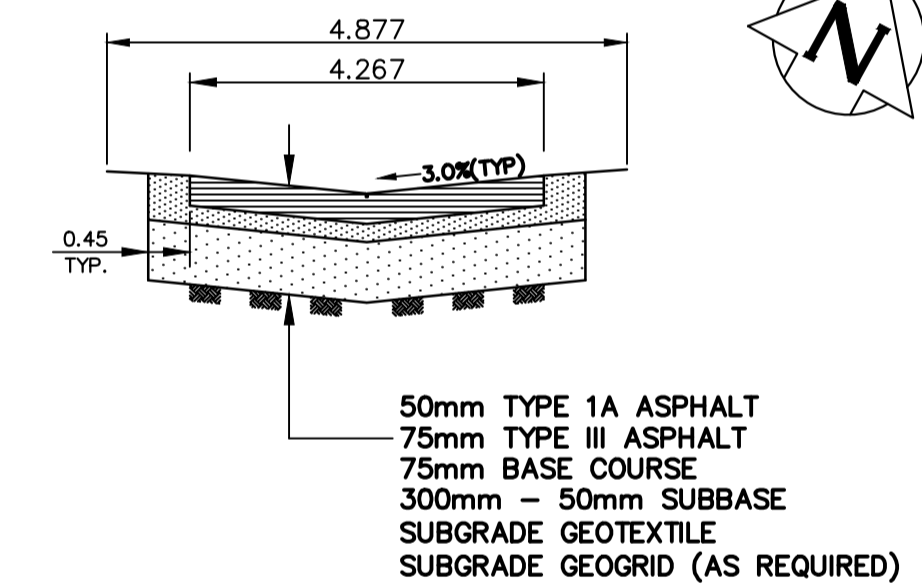
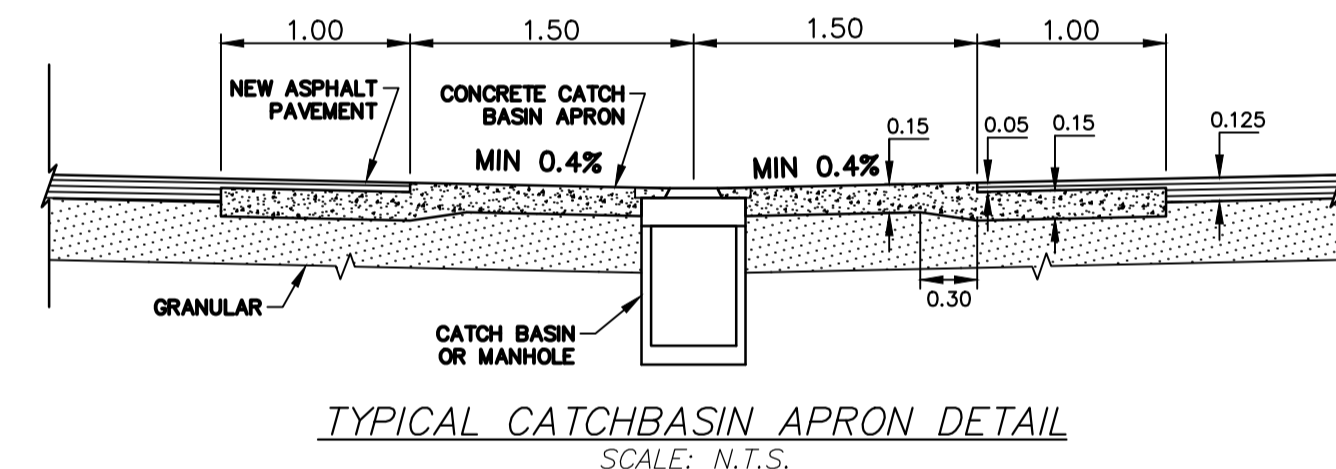
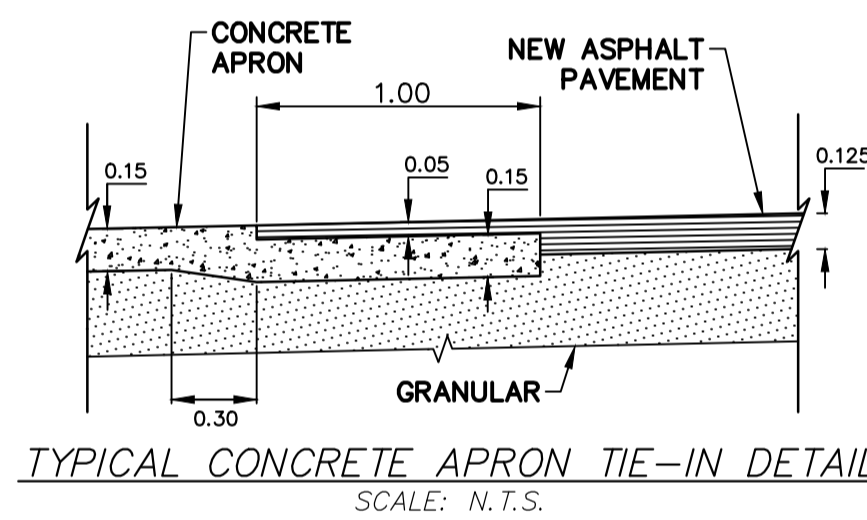


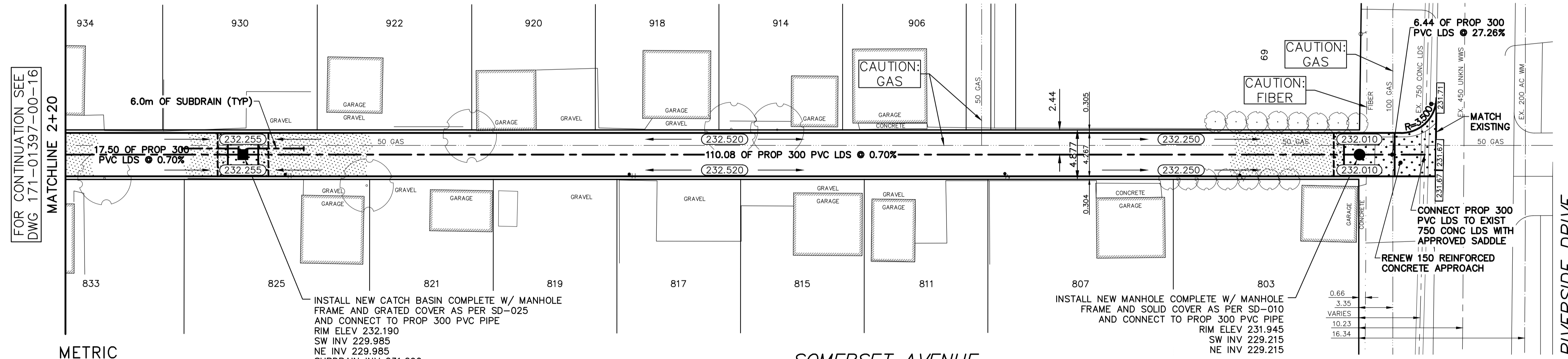
NOTES:

- ISOLATE EXISTING HYDRO POLES AS DIRECTED BY CONTRACT ADMINISTRATOR
- RENEW EXISTING APPROACHES AND SIDEWALK AS DIRECTED BY CONTRACT ADMINISTRATOR
- ADDITIONAL EXCAVATION AND INSTALLATION OF SUBGRADE GEOGRID TO BE DETERMINED BY CONTRACT ADMINISTRATOR ADJUSTMENTS TO PROPOSED CROSSFALL, WHERE REQUIRED, ARE TO BE DETERMINED BY CONTRACT ADMINISTRATOR TO SUIT EXISTING DRIVEWAYS, APPROACHES, ETC.
- ALL LAND DRAINAGE SEWER EXCAVATIONS TO BE JETTED, FLOODED AND TAMPED AS PER CW2030-R7
- LIGHT STANDARDS, HYDROPOLES, AND ANCHORS MAY REQUIRE SUPPORT AND/OR REMOVAL AND REPLACEMENT AT CONTRACTORS EXPENSE

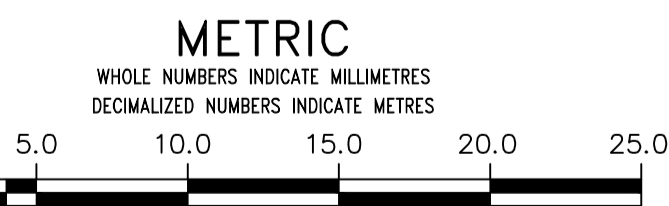
NOTE: CHAINAGES SHOWN ARE ALONG CL OF PUBLIC RIGHT-OF-WAY



SOMERVILLE AVENUE



SOMERSET AVENUE



WATERMAIN	---	GAS	---	150 WM	---	WATERMAIN	---	150 WM	---
HYDRANT	---●---	M.T.S.	---	300 LDS	---	VALVE	---	300 LDS	---
VALVE	---○---	TRAFFIC SIGNALS	---	250 WWS	---	LAND DRAINAGE SEWER	---	250 WWS	---
CURB STOP	---●---	CONCRETE	---	ASPHALT	---	WASTE WATER SEWER	---	ASPHALT	---
LAND DRAINAGE SEWER	---	ASPHALT	---	SIDEWALK	---	CENTERLINE	---	SIDEWALK	---
WASTE WATER SEWER	---	CURB RAMP	---	ELEVATIONS	(32.000)	SOUTH & EAST GUTTER	---	NORTH & WEST GUTTER	---
CB LEAD	---	ELEVATIONS	(32.000)	PROPERTY LINE	---	S/E PRIVATE PAVE.	---	N/W PRIVATE PAVE.	---
MANHOLE	---○---	PROPERTY LINE	---	SURVEY BAR	---		---		---
CATCH BASIN	---□---	SURVEY BAR	---		---		---		---
CURB INLET	---▽---		---		---		---		---
HYDRO	---		---		---		---		---
EXISTING	---	LEGEND - PLAN	---	LEGEND - PROFILE	---	EXISTING	---	LEGEND - PLAN	---
PROPOSED	---	PROPOSED	---	PROPOSED	---	PROPOSED	---	PROPOSED	---

LOCATION APPROVED UNDERGROUND STRUCTURES

SUPV. U/G STRUCTURES DATE COMMITTEE

NOTE:
LOCATION OF UNDERGROUND STRUCTURES AS SHOWN ARE BASED ON THE BEST INFORMATION AVAILABLE BUT NO GUARANTEE IS GIVEN THAT ALL EXISTING UTILITIES ARE SHOWN OR THAT THE GIVEN LOCATIONS ARE EXACT. CONFIRMATION OF EXISTENCE AND EXACT LOCATION OF ALL SERVICES MUST BE OBTAINED FROM THE INDIVIDUAL UTILITIES BEFORE PROCEEDING WITH CONSTRUCTION.

B.M. ELEV.			
DESIGNED BY	DR	CHECKED BY	RH/SM
DRAWN BY	MS	APPROVED BY	IMcK
HOR. SCALE:	1:250	RELEASED FOR CONSTRUCTION	---
VERT. SCALE:	1:25		
NO.	REVISION	DATE	BY
2	ISSUED FOR TENDER	7/05/16	K.G.
1	DESIGN REVIEW	7/05/16	K.G.

THE CITY OF WINNIPEG
PUBLIC WORKS DEPARTMENT
FINANCE NO.

2017 LOCAL IMPROVEMENTS
SOMERVILLE AVE/SOMERSET AVE ALLEY
FROM MATCHLINE AT 2+20 TO RIVERSIDE DR

ASPHALT RECONSTRUCTION

CITY DRAWING NO. SHEET 2 OF 2
BID OPPORTUNITY 378-2017