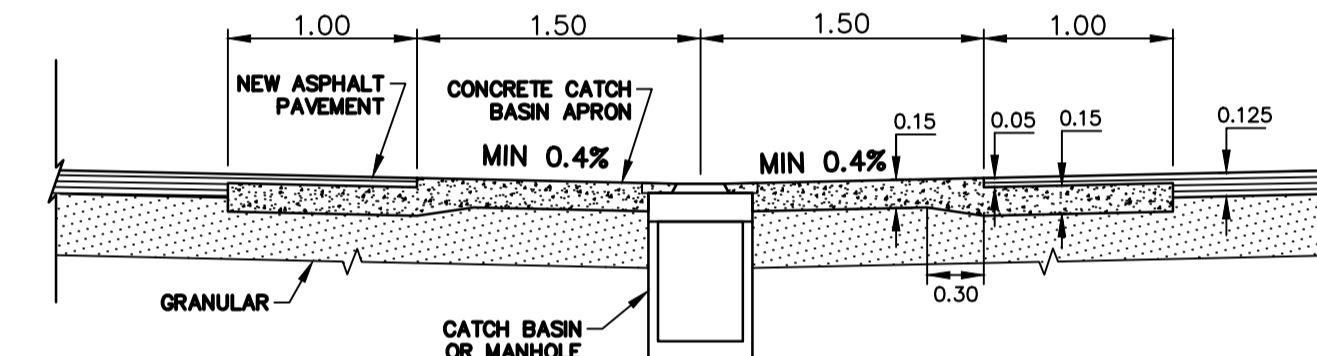


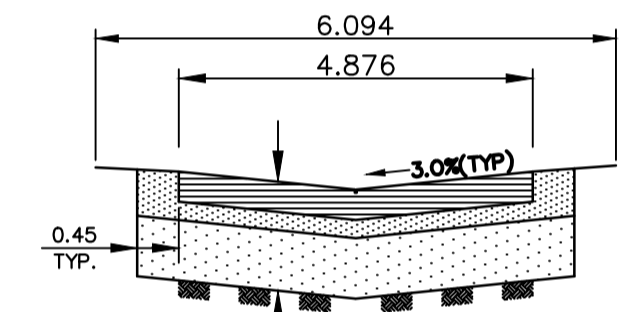
**NOTES:**

- ISOLATE EXISTING HYDRO POLES AS DIRECTED BY CONTRACT ADMINISTRATOR
- RENEW EXISTING APPROACHES AND SIDEWALK AS DIRECTED BY CONTRACT ADMINISTRATOR
- ADDITIONAL EXCAVATION AND INSTALLATION OF SUBGRADE GEOGRID TO BE DETERMINED BY CONTRACT ADMINISTRATOR
- ADJUSTMENTS TO PROPOSED CROSSFALL, WHERE REQUIRED, ARE TO BE DETERMINED BY CONTRACT ADMINISTRATOR TO SUIT EXISTING DRIVEWAYS, APPROACHES, ETC.
- ALL LAND DRAINAGE SEWER EXCAVATIONS TO BE JETTED, FLOODED AND TAMPED AS PER CW2030-R7
- LIGHT STANDARDS, HYDROPOLES, AND ANCHORS MAY REQUIRE SUPPORT AND/OR REMOVAL AND REPLACEMENT AT CONTRACTORS EXPENSE

NOTE: CHAINAGES SHOWN ARE ALONG PUBLIC OF RIGHT-OF-WAY

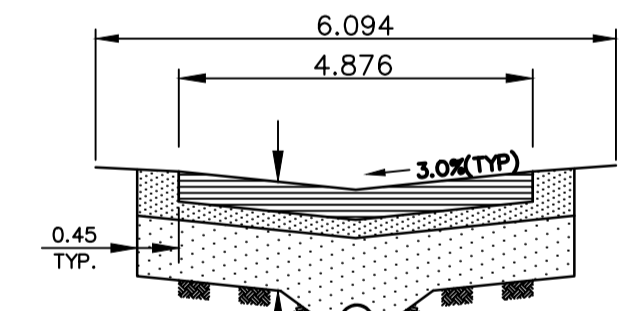


TYPICAL CATCHBASIN APRON DETAIL  
SCALE: N.T.S.



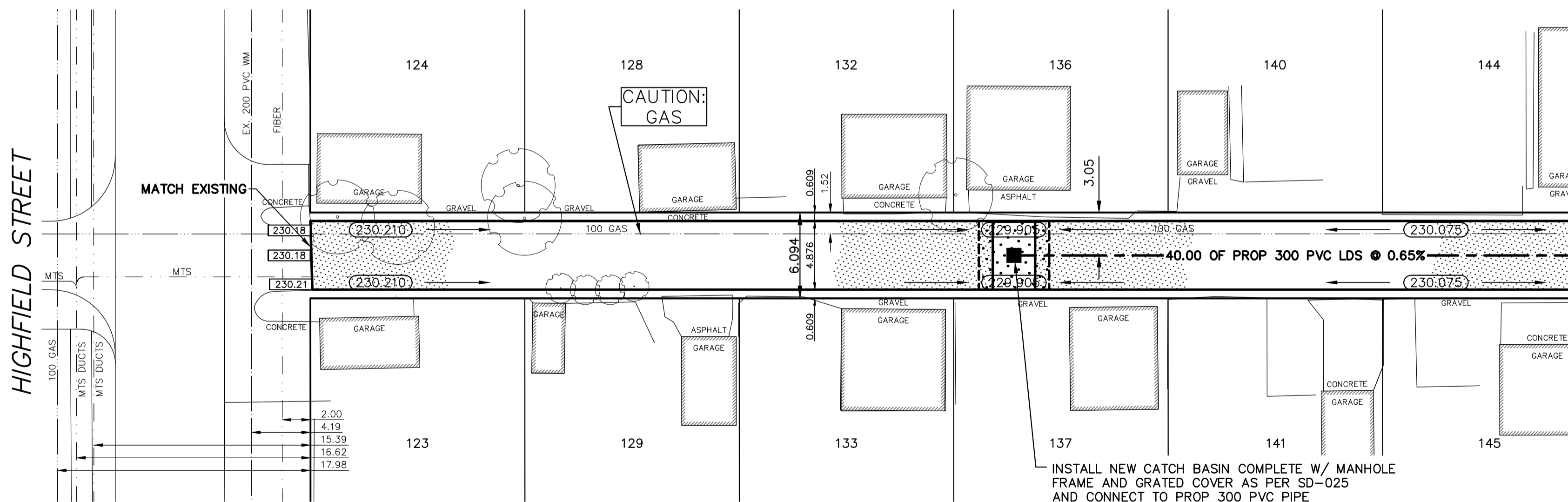
50mm TYPE 1A ASPHALT  
75mm TYPE III ASPHALT  
75mm BASE COURSE  
300mm - 50mm SUBBASE  
SUBGRADE GEOTEXTILE  
SUBGRADE GEOGRID (AS REQUIRED)

TYPICAL ALLEY CROSS SECTION  
SCALE: N.T.S.



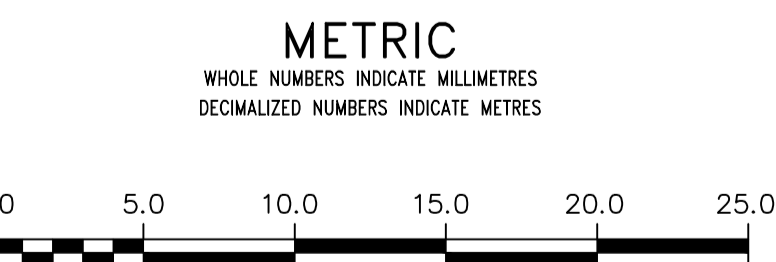
TYPICAL ALLEY CROSS SECTION WITH SUBDRAIN  
SCALE: N.T.S.

LAWNDALE AVENUE



FERNDALE AVENUE

INSTALL NEW CATCH BASIN COMPLETE W/ MANHOLE FRAME AND GRATED COVER AS PER SD-025 AND CONNECT TO PROP 300 PVC PIPE RIM ELEV 229.830 N INV 228.065 SUBDRAIN INV 228.930



WATERMAIN	150 MM	WATERMAIN	150 MM
HYDRANT	M.T.S.	VALVE	150 MM
VALVE	TRAFFIC SIGNALS	LAND DRAINAGE SEWER	300 LDS
CURB STOP	CONCRETE	WASTE WATER SEWER	250 WWS
LAND DRAINAGE SEWER	ASPHALT	CENTERLINE	
WASTE WATER SEWER	SIDEWALK	SOUTH & EAST GUTTER	
CB LEAD	CURB RAMP	NORTH & WEST GUTTER	
MANHOLE	ELEVATIONS (32.00)	S/E PRIVATE PAVE.	
CATCH BASIN	PROPERTY LINE	N/W PRIVATE PAVE.	
CURB INLET	SURVEY BAR		
HYDRO			
EXISTING	LEGEND - PLAN	PROPOSED	EXISTING
	LEGEND - PROFILE	PROPOSED	EXISTING

LOCATION APPROVED UNDERGROUND STRUCTURES

SUPV. U/G STRUCTURES DATE COMMITTEE

NOTE: LOCATION OF UNDERGROUND STRUCTURES AS SHOWN ARE BASED ON THE BEST INFORMATION AVAILABLE BUT NO GUARANTEE IS GIVEN THAT ALL EXISTING UTILITIES ARE SHOWN OR THAT THE GIVEN LOCATIONS ARE EXACT. CONFIRMATION OF EXISTENCE AND EXACT LOCATION OF ALL SERVICES MUST BE OBTAINED FROM THE INDIVIDUAL UTILITIES BEFORE PROCEEDING WITH CONSTRUCTION.

B.M. ELEV.	
DESIGNED BY	DR
CHECKED BY	RH/SM
DRAWN BY	MBS
APPROVED BY	IMcK
HOR. SCALE:	1:250
VERT. SCALE:	1:25
RELEASED FOR CONSTRUCTION	
CONSULTANT DRAWING NO.	171-01397-00 -13
NO.	REVISION
DATE	BY



111-83 Lombard Avenue  
Winnipeg, Manitoba  
R2B 3B1 Canada  
Phone: 204-943-3178  
Fax: 204-943-4948  
wsp.com



**THE CITY OF WINNIPEG**  
PUBLIC WORKS DEPARTMENT  
FINANCE NO.

2017 LOCAL IMPROVEMENTS  
LAWNDALE AVE/FERNDALE AVE ALLEY  
FROM HIGHFIELD ST TO MATCHLINE  
AT 1+90  
ASPHALT RECONSTRUCTION

CITY DRAWING NO.  
SHEET 1 OF 3  
BID OPPORTUNITY  
378-2017