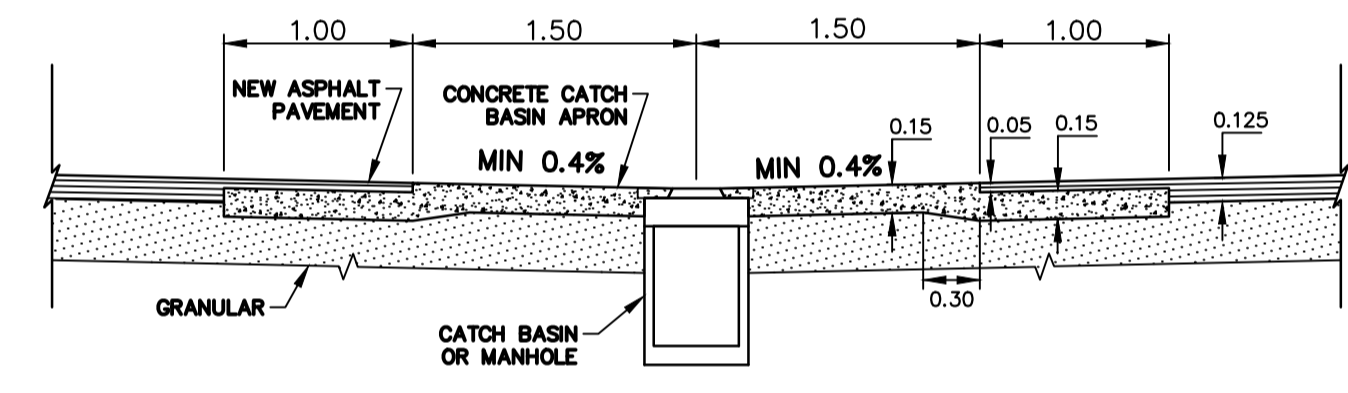
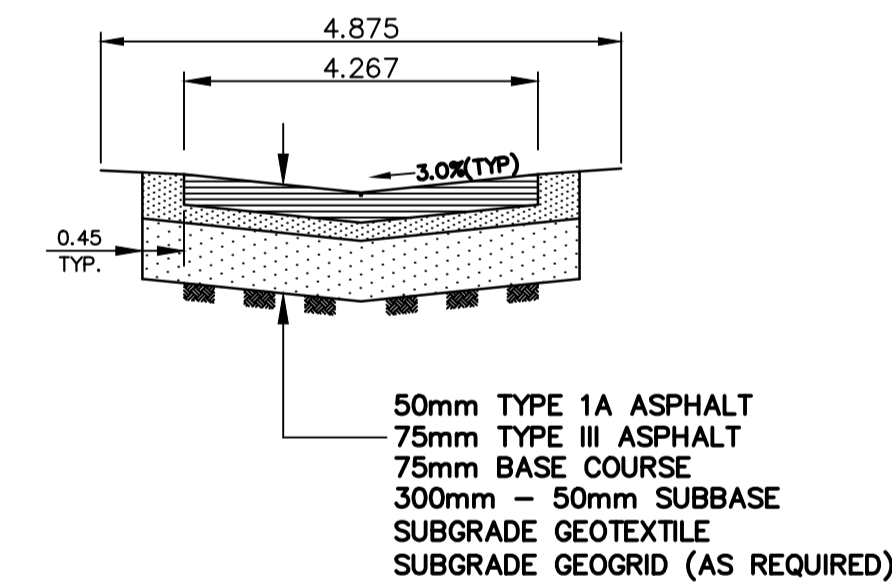


- NOTES:**
- ISOLATE EXISTING HYDRO POLES AS DIRECTED BY CONTRACT ADMINISTRATOR
 - RENEW EXISTING APPROACHES AND SIDEWALK AS DIRECTED BY CONTRACT ADMINISTRATOR
 - ADDITIONAL EXCAVATION AND INSTALLATION OF SUBGRADE GEOGRID TO BE DETERMINED BY CONTRACT ADMINISTRATOR
 - ADJUSTMENTS TO PROPOSED CROSSFALL, WHERE REQUIRED, ARE TO BE DETERMINED BY CONTRACT ADMINISTRATOR TO SUIT EXISTING DRIVEWAYS, APPROACHES, ETC.
 - ALL LAND DRAINAGE SEWER EXCAVATIONS TO BE JETTED, FLOODED AND TAMPED AS PER CW2030-R7
 - LIGHT STANDARDS, HYDROPOLES, AND ANCHORS MAY REQUIRE SUPPORT AND/OR REMOVAL AND REPLACEMENT AT CONTRACTORS EXPENSE

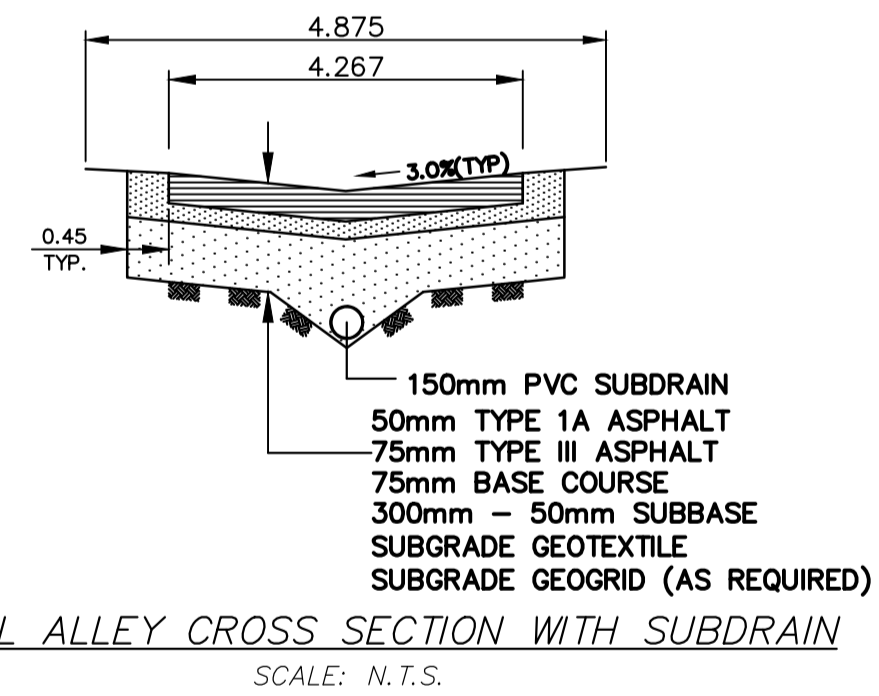
NOTE: CHAINAGES SHOWN ARE ALONG ϕ OF PUBLIC RIGHT-OF-WAY



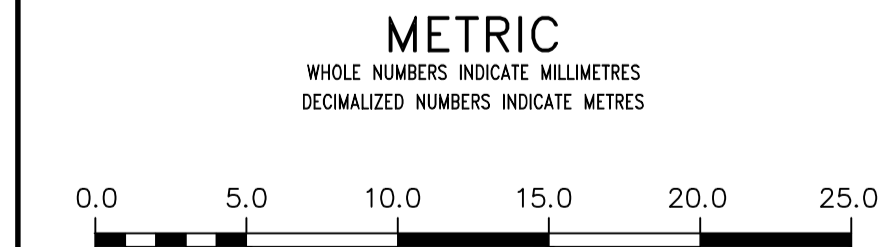
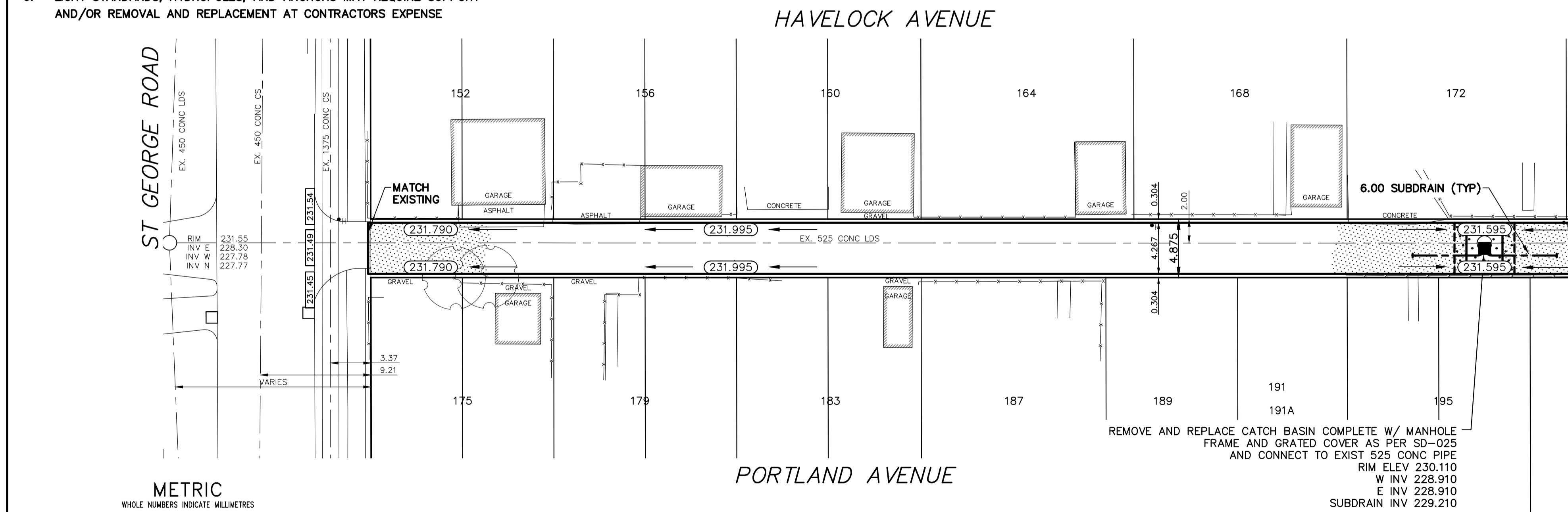
TYPICAL CATCHBASIN APRON DETAIL
SCALE: N.T.S.



TYPICAL ALLEY CROSS SECTION
SCALE: N.T.S.



TYPICAL ALLEY CROSS SECTION WITH SUBDRAIN
SCALE: N.T.S.



EXISTING	LEGEND - PLAN	PROPOSED	EXISTING	LEGEND - PLAN	PROPOSED	EXISTING	LEGEND - PROFILE	PROPOSED
---	WATERMAIN	---	---	GAS	---	---	WATERMAIN	---
---	HYDRANT	---	---	M.T.S.	---	---	VALVE	---
---	VALVE	---	---	TRAFFIC SIGNALS	---	---	LAND DRAINAGE SEWER	---
---	CURB STOP	---	---	CONCRETE	---	---	WASTE WATER SEWER	---
---	LAND DRAINAGE SEWER	---	---	ASPHALT	---	---	CENTERLINE	---
---	WASTE WATER SEWER	---	---	SIDEWALK	---	---	SOUTH & EAST GUTTER	---
---	CB LEAD	---	---	CURB RAMP	---	---	NORTH & WEST GUTTER	---
---	MANHOLE	---	---	ELEVATIONS	---	---	S/E PRIVATE PAVE.	---
---	CATCH BASIN	---	---	PROPERTY LINE	---	---	N/W PRIVATE PAVE.	---
---	CURB INLET	---	---	SURVEY BAR	---	---		---
---	HYDRO	---	---		---	---		---

LOCATION APPROVED UNDERGROUND STRUCTURES

SUPV. U/G STRUCTURES DATE COMMITTEE

NOTE: LOCATION OF UNDERGROUND STRUCTURES AS SHOWN ARE BASED ON THE BEST INFORMATION AVAILABLE BUT NO GUARANTEE IS GIVEN THAT ALL EXISTING UTILITIES ARE SHOWN OR THAT THE GIVEN LOCATIONS ARE EXACT. CONFIRMATION OF EXISTENCE AND EXACT LOCATION OF ALL SERVICES MUST BE OBTAINED FROM THE INDIVIDUAL UTILITIES BEFORE PROCEEDING WITH CONSTRUCTION.

NO.	REVISION	DATE	BY
2	ISSUED FOR TENDER	17/05/16	K.G.
1	DESIGN REVIEW	17/05/16	K.G.

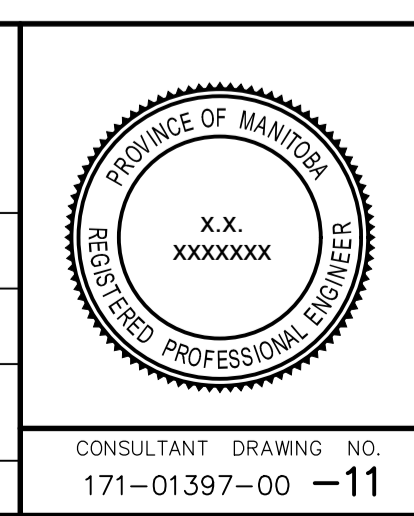
wsp

111-83 Lombard Avenue
Winnipeg, Manitoba
R3B 3B1 Canada
Phone: 204-943-3178
Fax: 204-943-4948
wsp.com

DESIGNED BY: DR
DRAWN BY: KG
HOR. SCALE: 1:250
VERT. SCALE: 1:25

CHECKED BY: RH/SM
APPROVED BY: IMcK
RELEASED FOR CONSTRUCTION

CONSULTANT DRAWING NO. 171-01397-00 -11



THE CITY OF WINNIPEG
PUBLIC WORKS DEPARTMENT
FINANCE NO.

2017 LOCAL IMPROVEMENTS
HAVELOCK AVE/PORTLAND AVE ALLEY
FROM ST GEORGE RD TO MATCHLINE AT 2+00

ASPHALT RECONSTRUCTION

CITY DRAWING NO. SHEET 1 OF 2
BID OPPORTUNITY 378-2017

