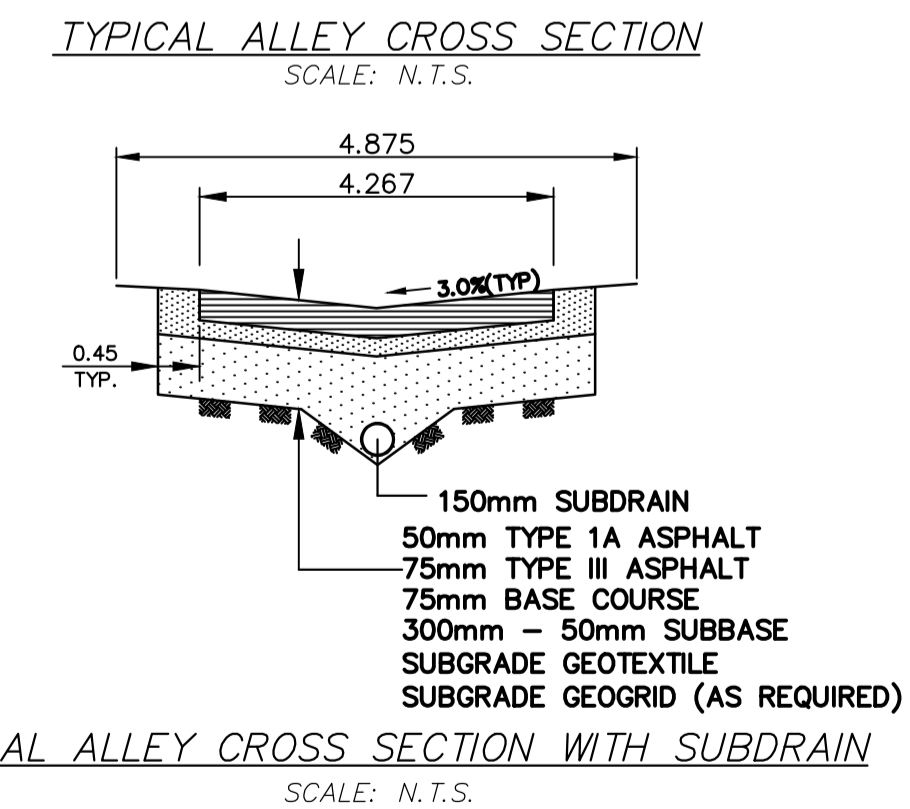
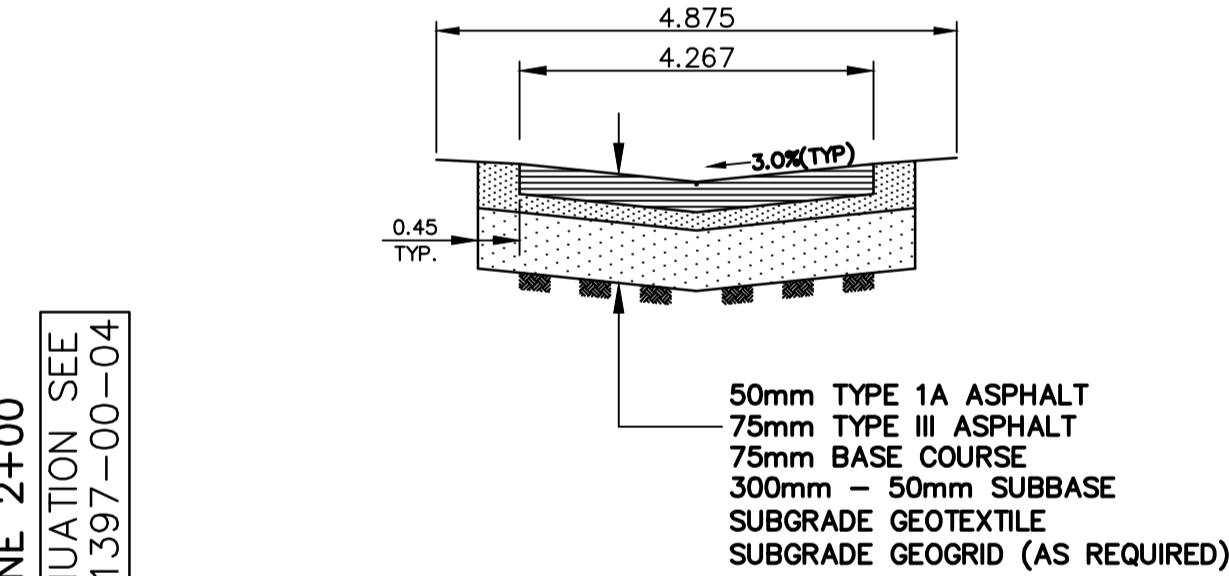
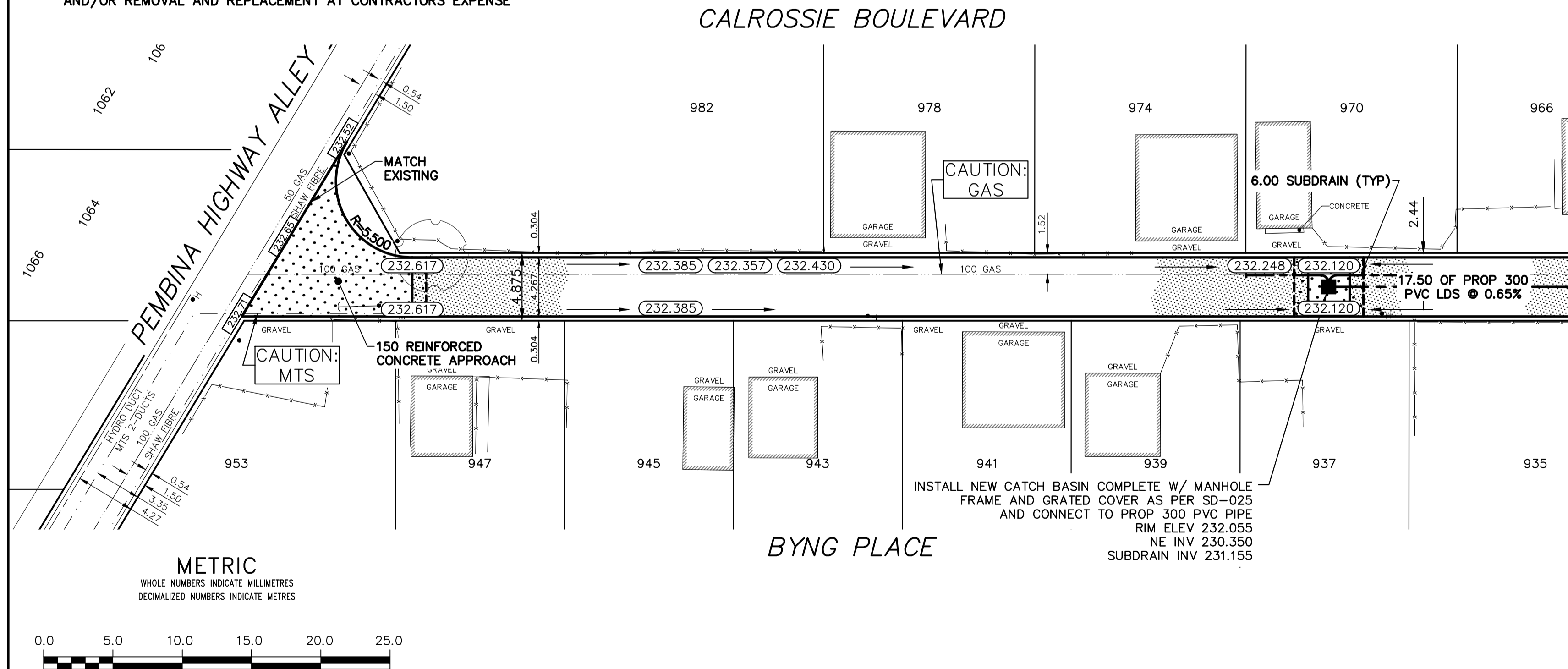
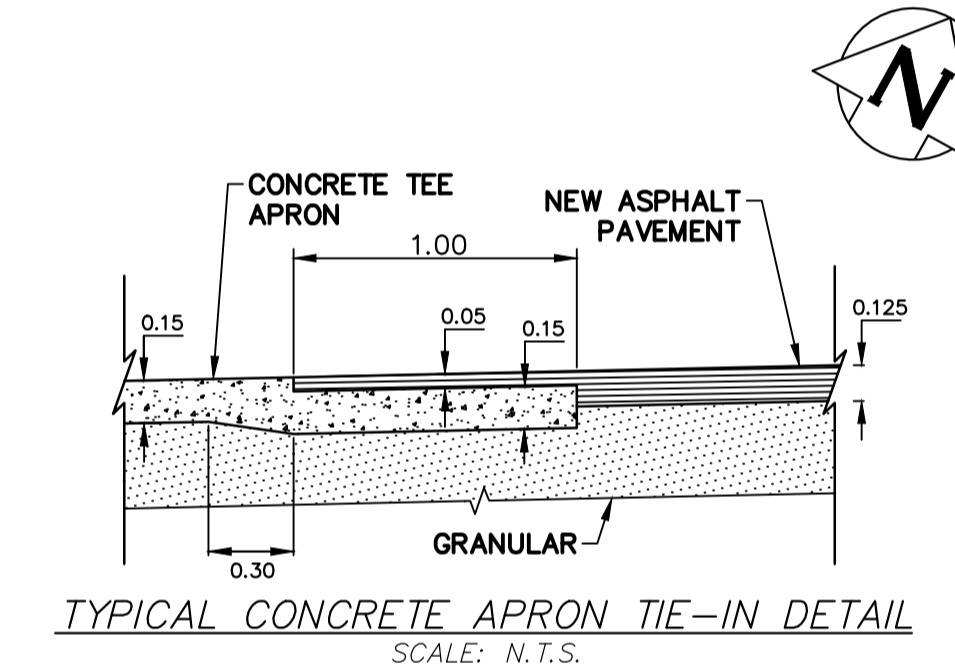
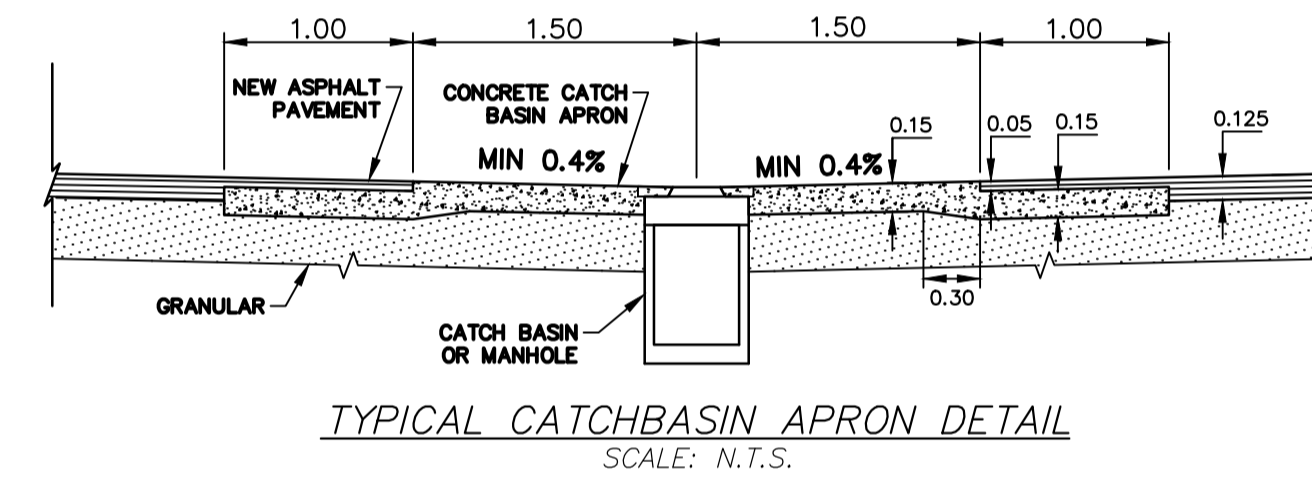


- NOTES:**
- ISOLATE EXISTING HYDRO POLES AS DIRECTED BY CONTRACT ADMINISTRATOR
 - RENEW EXISTING APPROACHES AND SIDEWALK AS DIRECTED BY CONTRACT ADMINISTRATOR
 - ADDITIONAL EXCAVATION AND INSTALLATION OF SUBGRADE GEOGRID TO BE DETERMINED BY CONTRACT ADMINISTRATOR
 - ADJUSTMENTS TO PROPOSED CROSSFALL, WHERE REQUIRED, ARE TO BE DETERMINED BY CONTRACT ADMINISTRATOR TO SUIT EXISTING DRIVEWAYS, APPROACHES, ETC.
 - ALL LAND DRAINAGE SEWER EXCAVATIONS TO BE JETTED, FLOODED AND TAMPED AS PER CW2030-R7
 - LIGHT STANDARDS, HYDROPOLES, AND ANCHORS MAY REQUIRE SUPPORT AND/OR REMOVAL AND REPLACEMENT AT CONTRACTORS EXPENSE

NOTE: CHAINAGES SHOWN ARE ALONG CL OF PUBLIC RIGHT-OF-WAY



WATERMAIN	HYDRANT	VALVE	CURB STOP	LAND DRAINAGE SEWER	WASTE WATER SEWER	CB LEAD	MANHOLE	CATCH BASIN	CURB INLET	HYDRO
GAS	M.T.S.	TRAFFIC SIGNALS	CONCRETE	ASPHALT	SIDEWALK	CURB RAMP	ELEVATIONS	PROPERTY LINE	SURVEY BAR	
150 MM	150 MM	300 LDS	250 WWS	150 MM	150 MM	250 WWS	300 LDS	250 WWS	150 MM	150 MM
WATERMAIN	VALVE	LAND DRAINAGE SEWER	WASTE WATER SEWER	CENTERLINE	SOUTH & EAST GUTTER	NORTH & WEST GUTTER	S/E PRIVATE PAVE.	N/W PRIVATE PAVE.		
EXISTING	LEGEND - PLAN	PROPOSED	EXISTING	LEGEND - PLAN	PROPOSED	EXISTING	LEGEND - PROFILE	PROPOSED		

LOCATION APPROVED UNDERGROUND STRUCTURES

SUPV.	U/G	STRUCTURES	DATE

NOTE:
LOCATION OF UNDERGROUND STRUCTURES AS SHOWN ARE BASED ON THE BEST INFORMATION AVAILABLE BUT NO GUARANTEE IS GIVEN THAT ALL EXISTING UTILITIES ARE SHOWN OR THAT THE GIVEN LOCATIONS ARE EXACT. CONFIRMATION OF EXISTENCE AND EXACT LOCATION OF ALL SERVICES MUST BE OBTAINED FROM THE INDIVIDUAL UTILITIES BEFORE PROCEEDING WITH CONSTRUCTION.

B.M. ELEV.

--	--	--	--

DESIGNED BY: KG
CHECKED BY: RH/SM
DRAWN BY: KG
APPROVED BY: IMcK
HOR. SCALE: 1:250
VERT. SCALE: 1:25
RELEASED FOR CONSTRUCTION

111-83 Lombard Avenue
Winnipeg, Manitoba
R2B 3B1 Canada
Phone: 204-943-3178
Fax: 204-943-4948
wsp.com

PROVINCE OF MANITOBA
REGISTERED PROFESSIONAL ENGINEER
X.X.
XXXXXXX

CONSULTANT DRAWING NO.
171-01397-00 -03

THE CITY OF WINNIPEG
PUBLIC WORKS DEPARTMENT
FINANCE NO.

Winnipeg

2017 LOCAL IMPROVEMENTS
CALROSSIE BLVD/BYNG PL ALLEY
FROM PEMBINA HWY ALLEY TO
MATCHLINE AT
ASPHALT RECONSTRUCTION

CITY DRAWING NO.
SHEET 1 OF 3
BID OPPORTUNITY
378-2017

