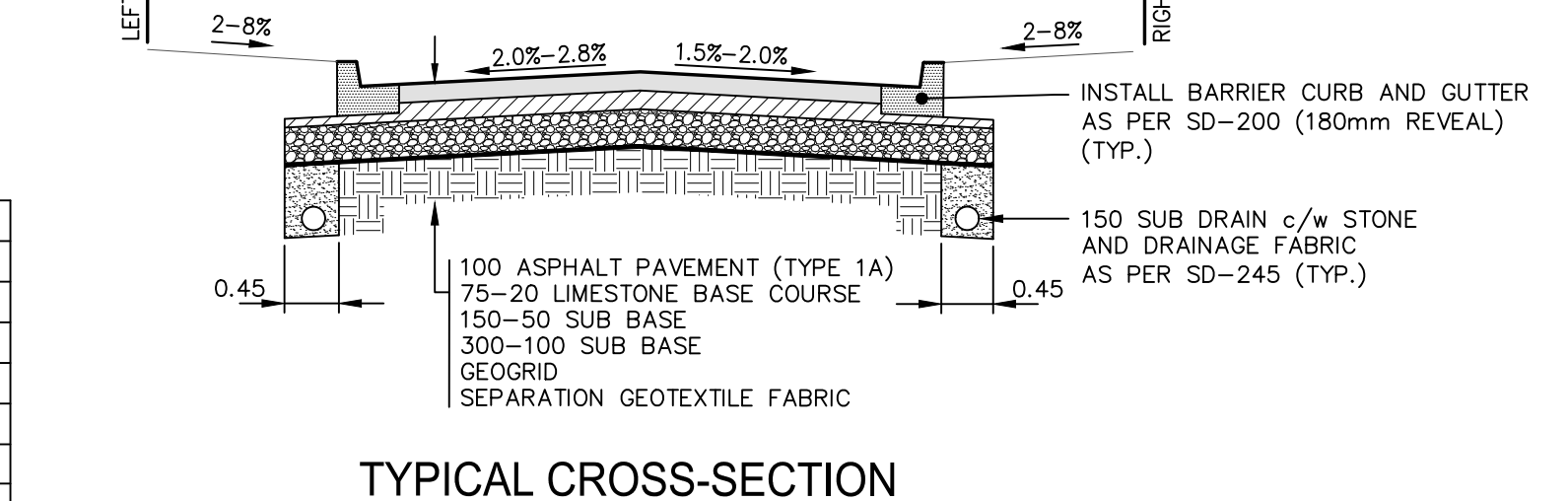


RECONSTRUCTION OF PINECREST BAY  
INCLUDES STREET LIGHTING PROJECT  
SEE DRAWING X-XXXX-XXXX-XXXX

NOTE: These design documents are prepared solely for the use by the party with whom the design professional has entered into a contract and there are no representations of any kind made by the design professional to any party with whom the design professional has not entered into a contract.

EXISTING	LEGEND-PLAN	PROPOSED	EXISTING	LEGEND-PLAN	PROPOSED	EXISTING	LEGEND-PROFILE	PROPOSED
---	WATER MAIN	---	---	HYDRO POLE & LIGHT STANDARD	---	---	---	---
---	LAND DRAINAGE SEWER	---	---	LIGHT STANDARD OR TRAFFIC SIGNAL	---	---	---	---
---	WASTE WATER SEWER	---	---	HYDRO POLE	---	---	---	---
---	HYDRO	---	---	CURB RAMP	---	---	---	---
---	M.T.S.	---	---	DETECTABLE WARNING SURFACE TILE	---	---	---	---
---	GAS	---	---	EDGE OF SIDEWALK	---	---	---	---
---	SIGNALS	---	---	FENCE	---	---	---	---
○	MANHOLE	●	---	PROPERTY LINE	---	---	---	---
□	CATCH BASIN	■	---	EDGE OF ASPHALT	---	---	---	---
△	CURB INLET	▽	---	EDGE OF CONCRETE	---	---	---	---
△ □ ○	UTILITIES ADJUSTED	△ □ ○	---	MODIFIED BARRIER CURB	---	---	---	---
⌋	PLUG	⌋	---	BARRIER CURB	---	---	---	---
⊕	HYDRANT	⊕	---	BARRIER CURB AND GUTTER	---	---	---	---
⊕	VALVE	⊕	---	MODIFIED BARRIER CURB AND GUTTER	---	---	---	---
⊕	CURB STOP	⊕	---	CONCRETE SIDEWALK	---	---	---	---
---	GROUND GRADE	---	---	CONCRETE REPAIR	---	---	---	---
(31.00)	PAVEMENT GRADE	(31.00)	---	ASPHALT OVERLAY	---	---	---	---
---	ANCHOR	---	---	ASPHALT PARTIAL DEPTH REPAIR	---	---	---	---
#111	CIVIC ADDRESS	---	---	GLASS GRID	---	---	---	---
---	IRON BAR	---	---	ASPHALT MILLING	---	---	---	---
---	LEGEND-PLAN	---	---	LEGEND-PLAN	---	---	---	---



LOCATIONS APPROVED UNDERGROUND STRUCTURES

NO. REVISIONS

DATE

BY

DATE

15-MAR-2017

- NOTES:
1. ALL WORK AND MATERIALS TO BE IN ACCORDANCE WITH THE LATEST REVISION OF THE CITY OF WINNIPEG STANDARD CONSTRUCTION SPECIFICATIONS.
  2. CONTRACTOR TO CONFIRM THE LOCATION OF ALL UTILITIES/SERVICES IN THE FIELD PRIOR TO CONSTRUCTION.
  3. ALL ROADWAY DIMENSIONS SHOWN ARE TO BACK OF CURB.
  4. ADD 200.00 TO ABBREVIATED ELEVATIONS TO OBTAIN GEODETIC ELEVATION.
  5. RENEW CURBS AND SIDEWALK AS IDENTIFIED BY CONTRACT ADMINISTRATOR.
  6. ADJUST PRIVATE WALKWAYS TO BE ADJUSTED TO NEW SIDEWALK OR TOP OF CURB ELEVATION, AS REQUIRED.
  7. ADJUST MH FRAMES, CB RIMS, AND VALVES TO NEW GRADES, AS REQUIRED.
  8. MODIFIED BARRIER CURB TO BE CONSTRUCTED AT ALL INTERSECTION RADI AND BACK LANE RADI.
  9. INSTALL 40mm LIP CURB THROUGH ALL RESIDENTIAL APPROACHES.
  10. ALL EXISTING LONG WATER SERVICES TO BE INSULATED AS PER SD-018 (AS REQUIRED).
  11. LAMP STANDARDS, HYDRO POLES, AND ANCHORS THAT REQUIRE TEMPORARY SUPPORT, REMOVAL OR REPLACEMENT, TO BE DONE SO AT THE EXPENSE OF THE CONTRACTOR AS NECESSARY.
  12. CONTRACTORS TO TAKE PRECAUTIONARY STEPS TO PROTECT EXISTING TREES WITHIN THE LIMITS OF CONSTRUCTION FROM DAMAGE FROM CONSTRUCTION ACTIVITIES AS OUTLINED IN THE SPECIFICATIONS.
  13. ALL BOULEVARDS TO BE SODDED UNLESS OTHERWISE NOTED. LIMITS TO BE IDENTIFIED IN THE FIELD BY THE CONTRACT ADMINISTRATOR.
  14. CONTRACTOR TO MATCH ALL EDGING ON EXISTING CONCRETE DRIVEWAYS.

PRELIMINARY

METRIC

WHOLE NUMBERS INDICATE MILLIMETRES  
DECIMALIZED NUMBERS INDICATE METRES



THE CITY OF WINNIPEG  
PUBLIC WORKS DEPARTMENT  
ENGINEERING DIVISION

2017 LOCAL STREET RENEWAL PROGRAM

PINECREST BAY  
DONWOOD DRIVE TO DONWOOD DRIVE  
PAVEMENT RECONSTRUCTION  
STA. 3+15 TO STA. 4+12.50

CITY DRAWING NUMBER  
SHEET 21 OF 21

BID NO.  
366-2017

May 15, 2017 - 12:34pm  
 P:\2017\17-00182-00-C-19-C-21\_Pinecrest Bay Plan and Profile\_2017.05.15.dwg - Job: C-21