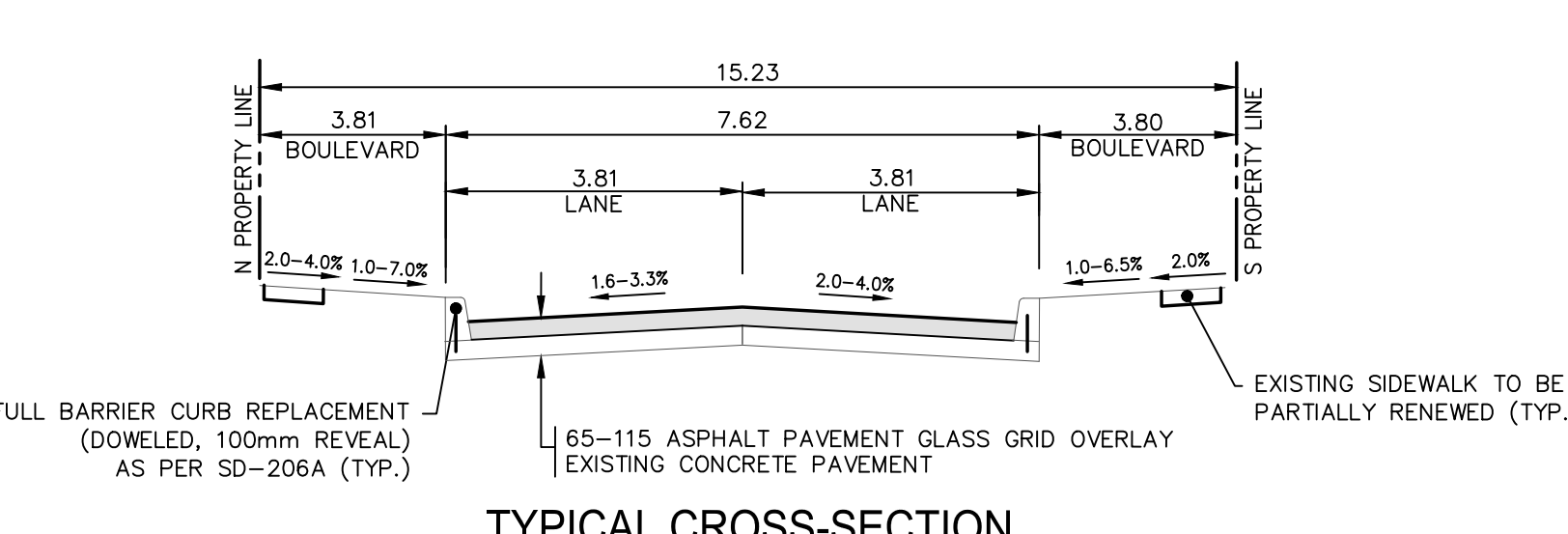


REHABILITATION OF MONCTON AVENUE INCLUDES WATER MAIN RENEWAL WORK BY OTHERS

NOTE: These design documents are prepared solely for the use by the party with whom the design professional has entered into a contract and there are no representations of any kind made by the design professional to any party with whom the design professional has not entered into a contract.

EXISTING	LEGEND-PLAN	PROPOSED	EXISTING	LEGEND-PLAN	PROPOSED	EXISTING	LEGEND-PROFILE	PROPOSED
---	WATER MAIN	---	---	HYDRO POLE & LIGHT STANDARD	---	---	NORTH OR WEST SIDEWALK	---
---	LAND DRAINAGE SEWER	---	---	LIGHT STANDARD OR TRAFFIC SIGNAL	---	---	SOUTH OR EAST SIDEWALK	---
---	WASTE WATER SEWER	---	---	HYDRO POLE	---	---	ROADWAY CENTRELINE	---
---	HYDRO	---	---	CURB RAMP	---	---	NORTH OR WEST GUTTER	---
---	M.T.S.	---	---	DETECTABLE WARNING SURFACE TILE	---	---	SOUTH OR EAST GUTTER	---
---	GAS	---	---	EDGE OF SIDEWALK	---	---	PROPOSED	---
---	SIGNALS	---	---	FENCE	---	---	EXISTING	---
---	MANHOLE	---	---	PROPERTY LINE	---	---	PROPOSED	---
---	CATCH BASIN	---	---	EDGE OF ASPHALT	---	---	PROPOSED	---
---	CURB INLET	---	---	EDGE OF CONCRETE	---	---	PROPOSED	---
---	UTILITIES ADJUSTED	---	---	MODIFIED BARRIER CURB	---	---	PROPOSED	---
---	PLUG	---	---	BARRIER CURB	---	---	PROPOSED	---
---	HYDRANT	---	---	BARRIER CURB AND GUTTER	---	---	PROPOSED	---
---	VALVE	---	---	MODIFIED BARRIER CURB AND GUTTER	---	---	PROPOSED	---
---	CURB STOP	---	---	CONCRETE SIDEWALK	---	---	PROPOSED	---
---	GROUND GRADE	---	---	CONCRETE REPAIR	---	---	PROPOSED	---
---	PAVEMENT GRADE	---	---	ASPHALT OVERLAY	---	---	PROPOSED	---
---	ANCHOR	---	---	ASPHALT PARTIAL DEPTH REPAIR	---	---	PROPOSED	---
---	CIVIC ADDRESS	---	---	GLASS GRID	---	---	PROPOSED	---
---	IRON BAR	---	---	ASPHALT MILLING	---	---	PROPOSED	---



LOCATIONS APPROVED UNDERGROUND STRUCTURES

NO. REVISIONS

DESIGNED BY: JP

CHECKED BY: VM/TR

DRAWN BY: VA/RA

APPROVED BY: VM

DATE: 21 FEB 2017

WSP Canada Group Limited
Suite 111-93 Lombard Ave
Winnipeg, MB R3B 3B1
t. 204.943.3178
f. 204.943.4948
www.wsp.com

ENGINEER'S SEAL
V.M. MAROTI
Member 3888

CONSULTANT ACAD DWG. NO.
17M-00168-00-C-12

- NOTES:
1. ALL WORK AND MATERIALS TO BE IN ACCORDANCE WITH THE LATEST REVISION OF THE CITY OF WINNIPEG STANDARD CONSTRUCTION SPECIFICATIONS.
 2. CONTRACTOR TO CONFIRM THE LOCATION OF ALL UTILITIES/SERVICES IN THE FIELD PRIOR TO CONSTRUCTION.
 3. ALL ROADWAY DIMENSIONS SHOWN ARE TO BACK OF CURB.
 4. ADD 200.00 TO ABBREVIATED ELEVATIONS TO OBTAIN GEODETIC ELEVATION.
 5. PAVEMENT REPAIRS SHOWN ARE ONLY A REPRESENTATIVE APPROXIMATION OF THE TENDERED QUANTITIES.
 6. RENEW CURB AND SIDEWALK AS IDENTIFIED BY CONTRACT ADMINISTRATOR.
 7. ALL PRIVATE WALKWAYS TO BE ADJUSTED TO NEW SIDEWALK OR TOP OF CURB ELEVATION, AS REQUIRED.
 8. MODIFIED BARRIER CURBS TO BE CONSTRUCTED AT ALL INTERSECTION RADII AND BACK LANE RADII.
 9. NO LIMESTONE OR CRUSHED CONCRETE BASE COURSE MATERIAL WILL BE PERMITTED WHEN CONSTRUCTING SIDEWALK WITHIN 5m OF AN EXISTING BOULEVARD TREE AS DIRECTED AND APPROVED BY THE CONTRACT ADMINISTRATOR.
 10. CONTRACTORS TO TAKE PRECAUTIONARY STEPS TO PROTECT EXISTING TREES WITHIN THE LIMITS OF CONSTRUCTION FROM DAMAGE FROM CONSTRUCTION ACTIVITIES AS OUTLINED IN THE SPECIFICATIONS.
 11. LAMP STANDARDS, HYDRO POLES, AND ANCHORS THAT REQUIRE TEMPORARY SUPPORT, REMOVAL OR REPLACEMENT, TO BE DONE SO AT THE EXPENSE OF THE CONTRACTOR AS NECESSARY.
 12. ALL BOULEVARDS TO BE SODDED UNLESS OTHERWISE NOTED.
 13. CONTRACTOR TO CONFIRM LOCATION AND LIMITS OF SEWER REPAIRS BY PERFORMING VIDEO INSPECTION AND REVIEWING WITH CONTRACT ADMINISTRATOR PRIOR TO CONSTRUCTION.

PRELIMINARY

METRIC

WHOLE NUMBERS INDICATE MILLIMETRES
DECIMALIZED NUMBERS INDICATE METRES

APEGM
Certificate of Authorization
MMM Group Limited
No. 4531

THE CITY OF WINNIPEG
PUBLIC WORKS DEPARTMENT
ENGINEERING DIVISION

2017 LOCAL STREET RENEWAL PROGRAM
MONCTON AVENUE
GATEWAY ROAD TO GREY STREET
PAVEMENT REHABILITATION
STA. 1+00 TO STA. 2+60

CITY DRAWING NUMBER
SHEET 12 OF 21
BID NO.
366-2017

May 15, 2017 - 12:27pm
 P:\2017\17M-00168-00 - 2017 Local Street Renewals\17M-00168-00-C-12-C-13 Moncton Avenue Plan and Profile 2017.05.15.dwg - tab:02