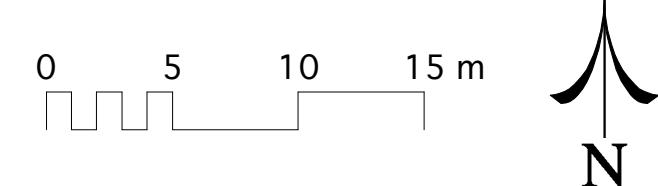
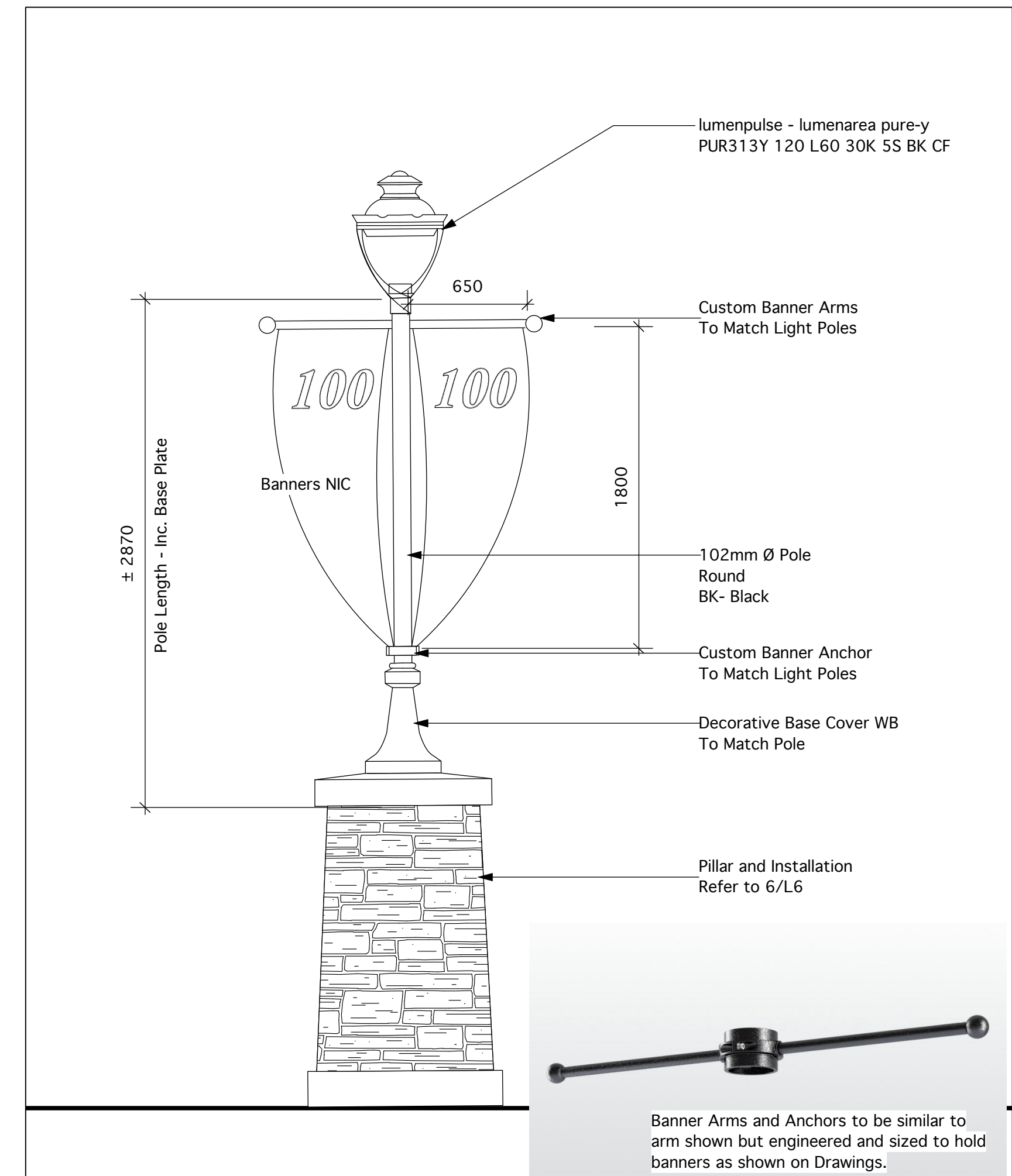


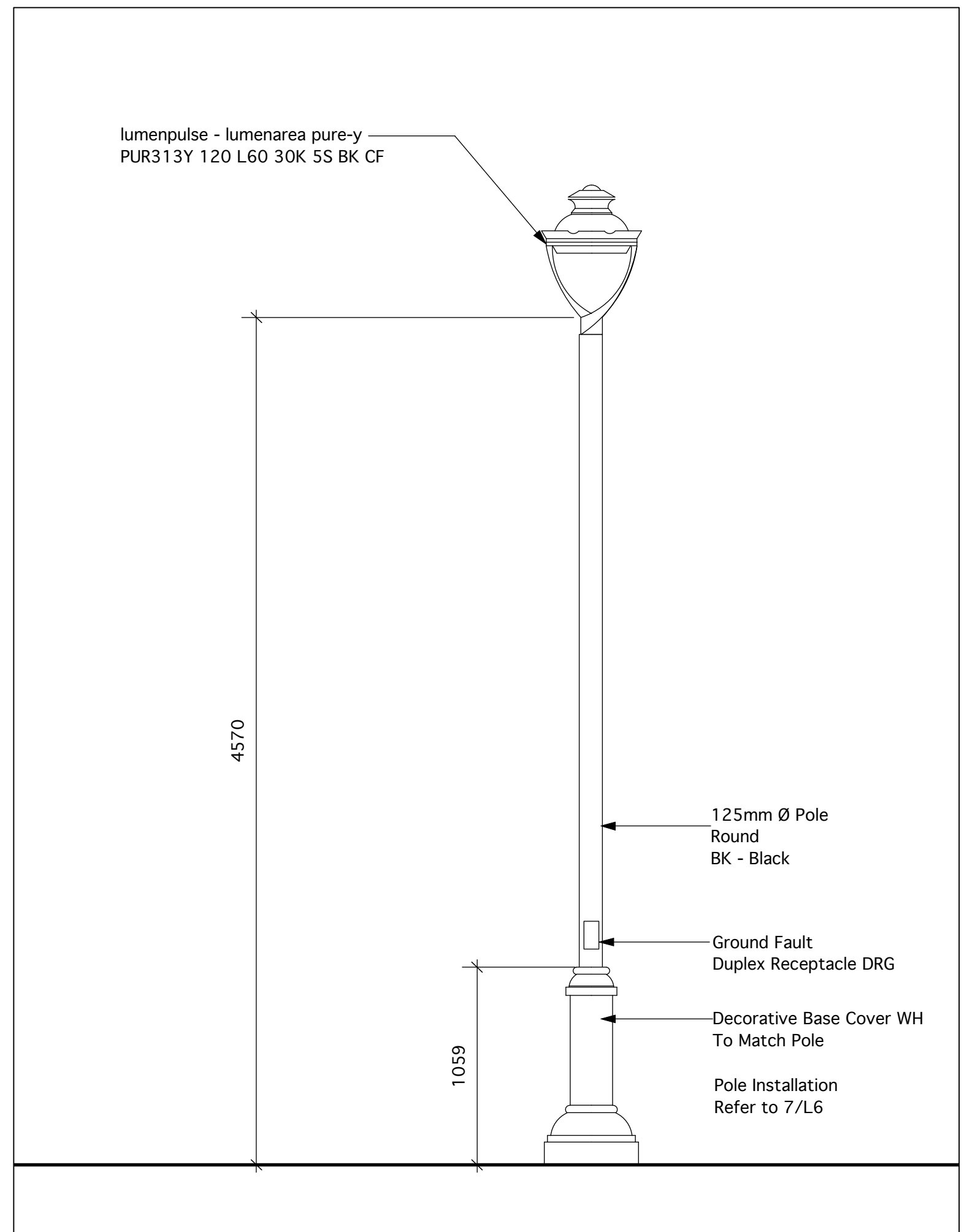
1 ELECTRICAL PLAN
 L9 1:300



2 LIGHT - TYPE 1
 L9 1:25

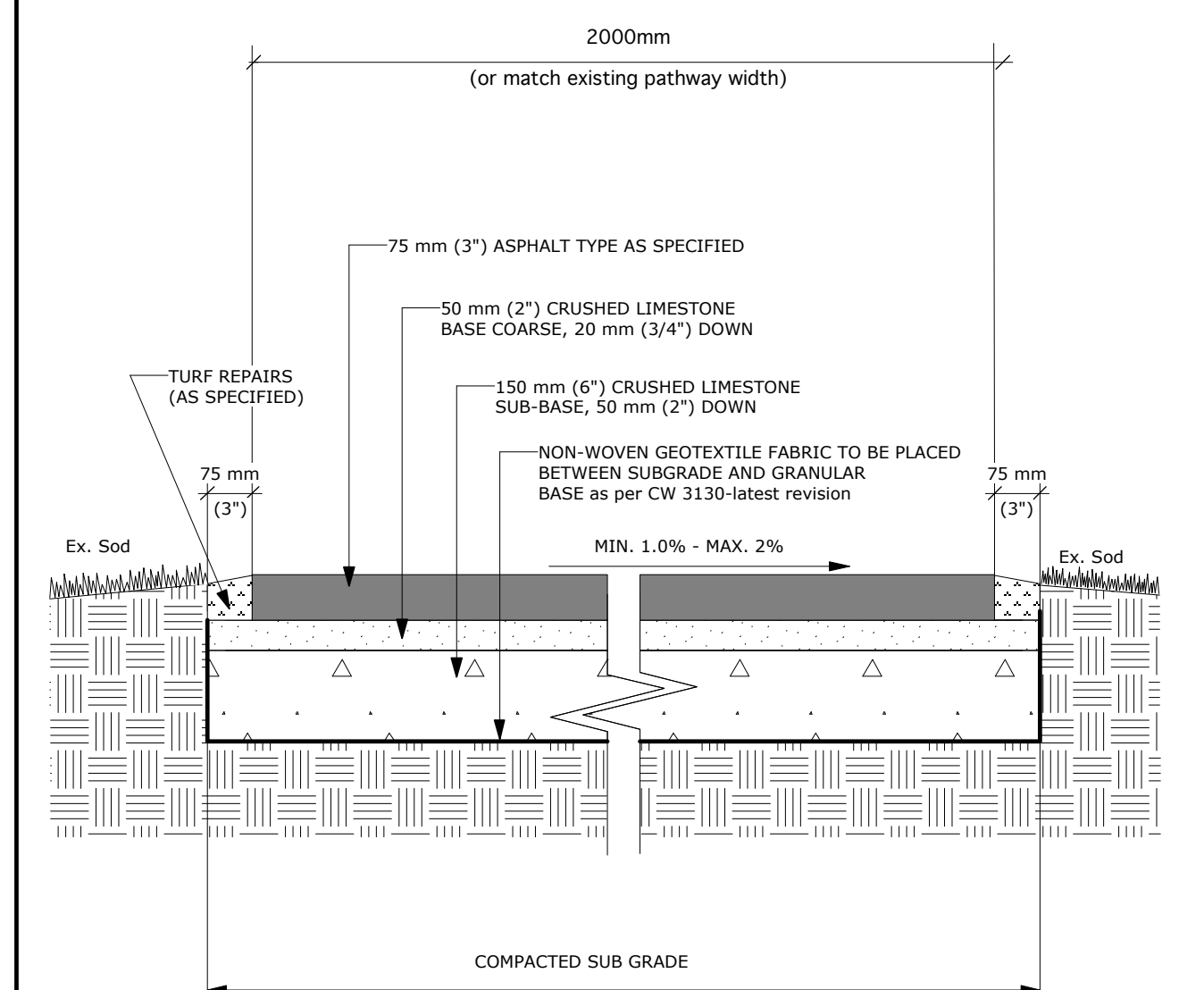


3 LIGHT - TYPE 2
 L9 1:25



- General Notes**
- Asphalt Concrete Pavement Works as per CW 3410
 - Sub-Grade, Sub Base & Base Coarse Construction as per CW 3110
 - Topsoil & Seed as per CW3520 and CW 3540
 - Topsoil & Sod as per CW 3510 and CW 3540

Drawing Title: **PARKWAY PATH ASPHALT**
 Drawing No: **SCD-648R**



DATE: SEPT 2011
 SCALE: N.T.S.
 DRAWN BY: SP

The City of Winnipeg
 Planning, Property and Development Department
 Planning and Land Use Division
 Unit 15 - 30 Fort Street, Winnipeg, MB, R3C 4X5



Location of underground structures as shown are based on the best information available but no guarantee is given that all existing utilities are shown or that the given locations are exact. Confirmation of existence and exact location of all services must be obtained from the individual utilities before proceeding with construction.

DO NOT SCALE DRAWING - PLOT MAY NOT BE AT 100%

NO.	REVISION / NOTE	DATE	BY
9			
8			
7			
6			
5			
4			
3			
2			
1			

PROJECT: **VIMY RIDGE MEMORIAL PARK PHASE 1: VIMY RIDGE MEMORIAL AND CANORA STREET ENTRANCE WINNIPEG, MANITOBA**

SCALE: 1:150 METRIC
 DATE: March 6, 2017

DRAWN BY: LLW PROJECT NO: 1617
 CHECKED BY: DW DRAWING TITLE: ELECTRICAL PLAN AND DETAILS