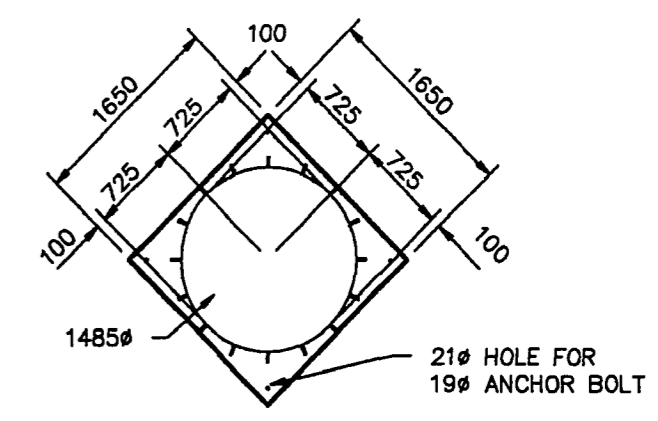


10 DETAIL
HP4/HP4 SCALE 1:50



11 DETAIL
HP4/HP4 SCALE 1:50

GRIT/SCREENINGS RECEIVING MEZZANINE FLOOR PLAN

THE ENGINEER THAT SEALED THIS DRAWING IS RESPONSIBLE FOR ONLY THE AS-CONSTRUCTED CHANGES ON THIS DRAWING.
THE ORIGINAL DESIGN WAS THE RESPONSIBILITY OF THE DESIGN ENGINEER WHO SEALED THE ISSUED FOR TENDER DRAWINGS IN 1991.

REID, CROWTHER & PARTNERS LIMITED
WINNIPEG
AS CONSTRUCTED
SIG. *ALG* DATE Nov. 29/94

detail symbol
A detail number
B drawing where detail shown
C cross reference to drawing where detail taken



B.M. ELEV.	69-006	237.636 m
NO.	REVISIONS	DATE BY
1	AS CONSTRUCTED	94/09/26 DJT
0	ISSUED FOR TENDER	91/06/17 PAL

Reid Crowther	
DESIGNED BY	DJT
CHECKED BY	
DRAWN BY	PAL/GGB
APPROVED BY	
HOR. SCALE:	1:50 U.N.O.
VERTICAL:	
DATE	94-09-26
RELEASED FOR CONSTRUCTION:	
DATE	



THE CITY OF WINNIPEG WORKS AND OPERATIONS DIVISION WATERWORKS WASTE AND DISPOSAL DEPT.	
WEST END WATER POLLUTION CONTROL CENTRE AREA H - HEADWORKS	CITY DRAWING NUMBER
GRIT/SCREENINGS RECEIVING MEZZANINE PROCESS PLAN AND DETAILS	SHEET OF
	WEP-149

File # WS 10200