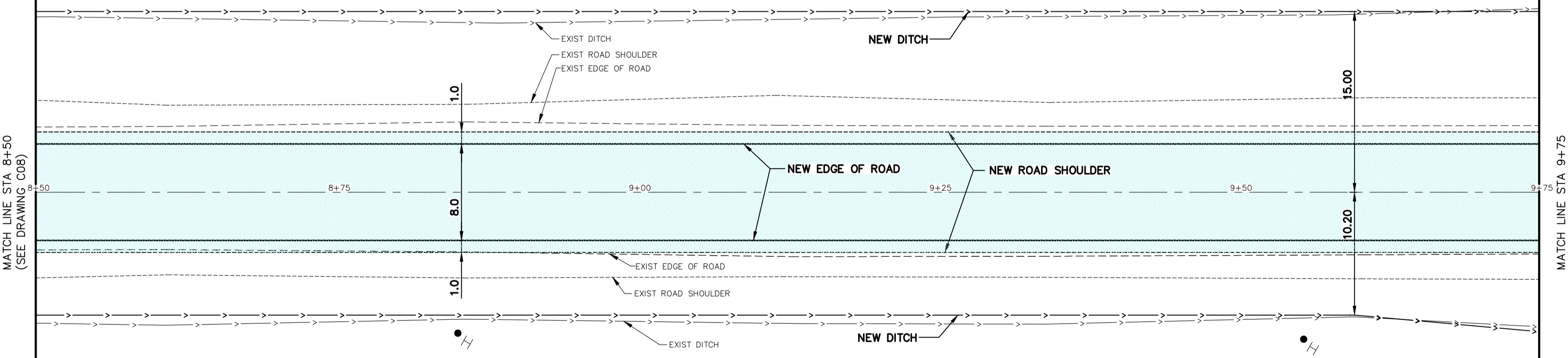
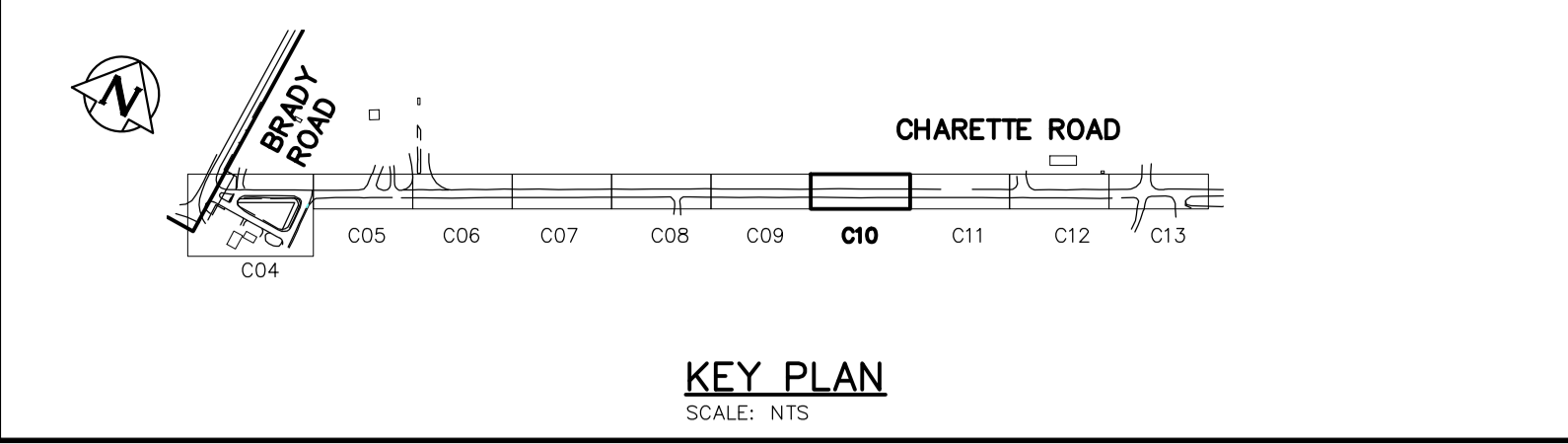


PROFILE
SCALE: AS NOTED

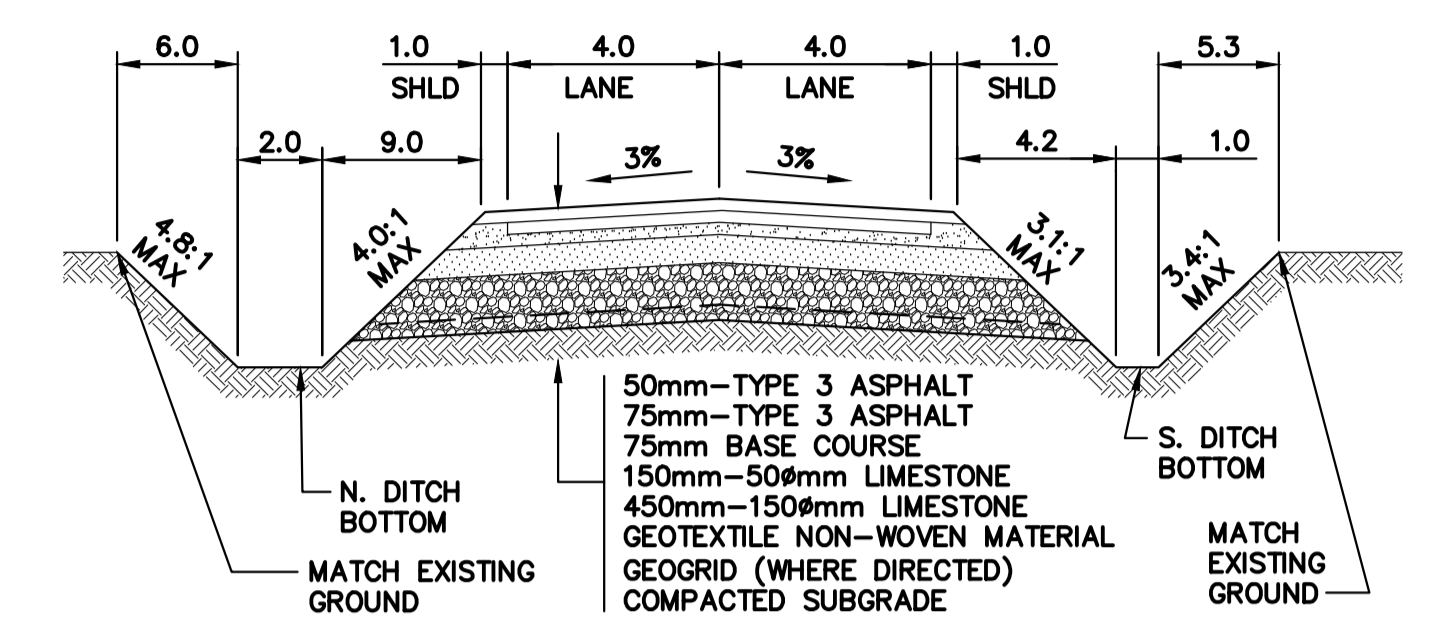
CHARETTE ROAD



PLAN
SCALE: AS NOTED



KEY PLAN
SCALE: NTS



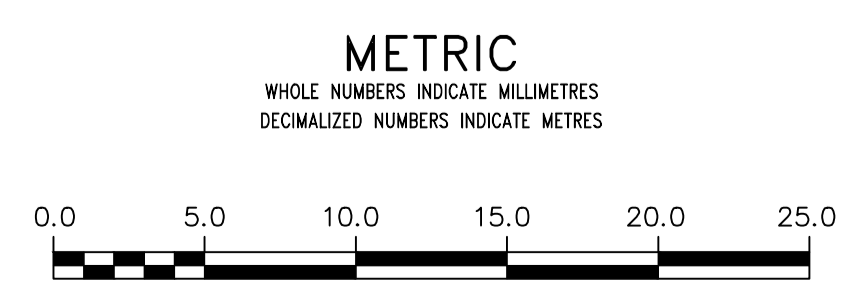
ROAD CROSS SECTION - STA. 8+40 TO STA. 9+60
SCALE: NTS

NOTE:
SOUTH DITCH TRANSITIONS BETWEEN
STA. 9+60 AND STA. 9+83

CENTRE LINE CO-ORDINATE LOCATIONS		
STATION	NORTHING	EASTING
8+50	5513154.100	629324.070
9+75	5513216.398	629432.439

PROPERTY LIMITS DELINEATION
DELINEATION OF PROPERTY LIMITS AS SHOWN ON THIS DWG DOES NOT REPRESENT A "LEGAL SURVEY". KGS GROUP MAKES NO REPRESENTATION OR WARRANTY AS TO THE ACCURACY OF PROPERTY LIMITS DELINEATED ON THIS DWG, NOR ON THE DIMENSIONAL ACCURACY OF DWG FEATURES RELATIVE TO THOSE PROPERTY LIMITS.

PRELIMINARY
NOT TO BE USED FOR CONSTRUCTION



WARNING
IF POWER EQUIPMENT OR EXPLOSIVES ARE TO BE USED FOR EXCAVATION ON THIS PROJECT THE CONTRACTOR MUST:
1) NOTIFY THE GAS COMPANY OF THE PROPOSED LOCATION OF EXCAVATION.
2) TAKE PRECAUTION TO AVOID DAMAGE TO GAS COMPANY INSTALLATIONS.
SEE PROVINCIAL REGULATION 21072 FOR DETAILS

LOCATION APPROVED UNDERGROUND STRUCTURES
SUPV. U/G STRUCTURES COMMITTEE _____ DATE _____
NOTE:
LOCATION OF UNDERGROUND STRUCTURES AS SHOWN ARE BASED ON THE BEST INFORMATION AVAILABLE BUT NO GUARANTEE IS GIVEN THAT ALL EXISTING UTILITIES ARE SHOWN OR THAT THE GIVEN LOCATIONS ARE EXACT. CONFIRMATION OF EXISTENCE AND EXACT LOCATION OF ALL SERVICES MUST BE OBTAINED FROM THE INDIVIDUAL UTILITIES BEFORE PROCEEDING WITH CONSTRUCTION.

B.M.	ELEV.	NO.	REVISIONS	DATE	BY

KGS GROUP CONSULTING ENGINEERS	
DESIGNED BY E.W.	CHECKED BY
DRAWN BY D.M.W.	APPROVED BY
SCALE: HORIZONTAL 1:250 VERTICAL 1:10	RELEASED FOR CONSTRUCTION
DATE 2018 02 21	DATE

ENGINEER'S SEAL
CONSULTANT DRAWING NUMBER
17-0107-010_C10

THE CITY OF WINNIPEG
WATER AND WASTE DEPARTMENT
ENGINEERING DIVISION

CHARETTE ROAD RENEWAL

CHARETTE ROAD
STA 8+50 TO STA 9+75

SHEET 10 OF 13
CITY DRAWING NUMBER
1-0400A-C0039-001