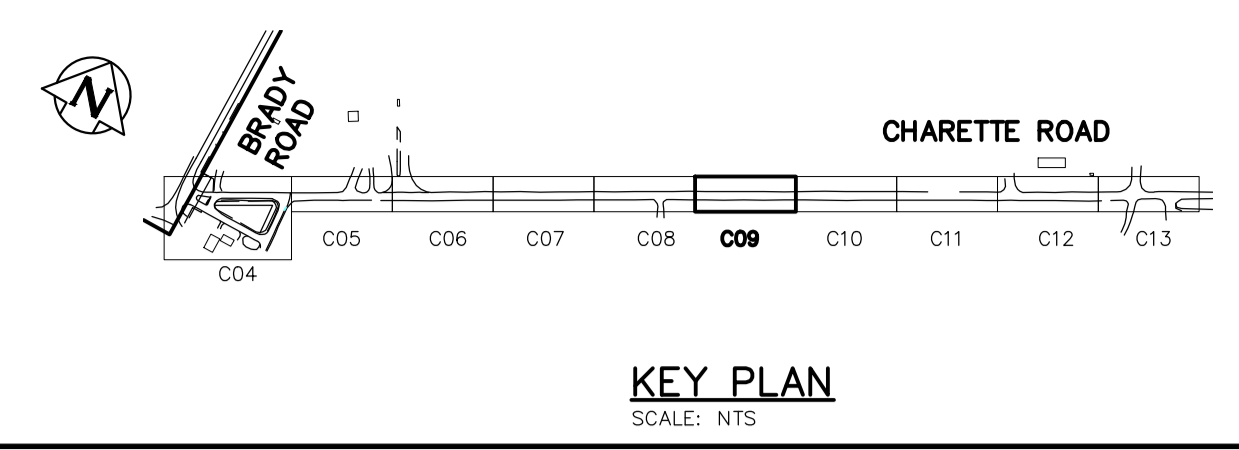
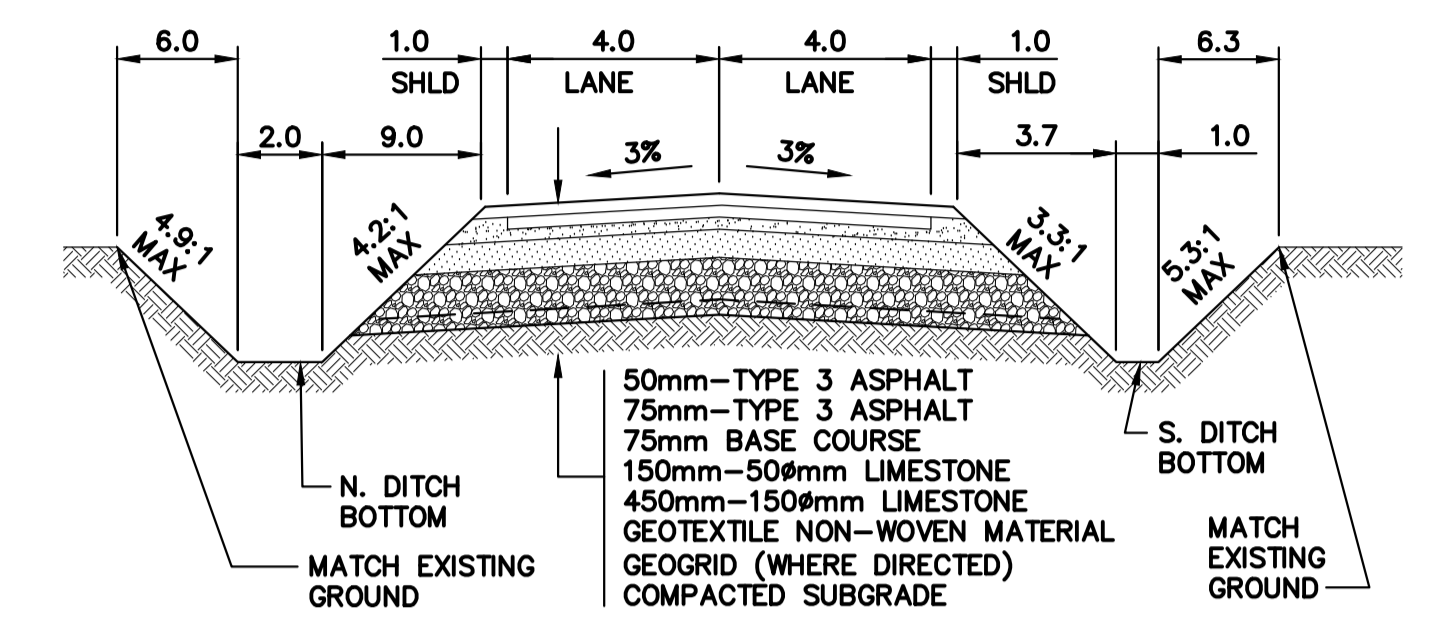


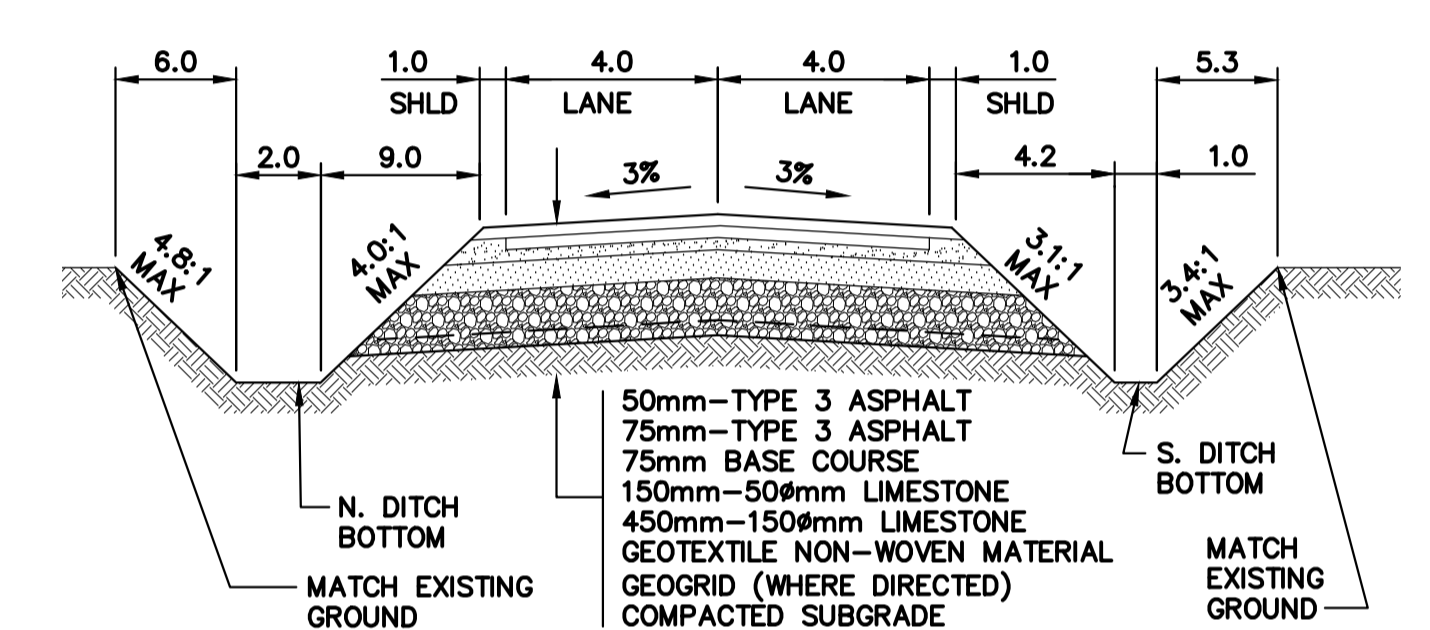
PROFILE  
SCALE: AS NOTED



KEY PLAN  
SCALE: NTS

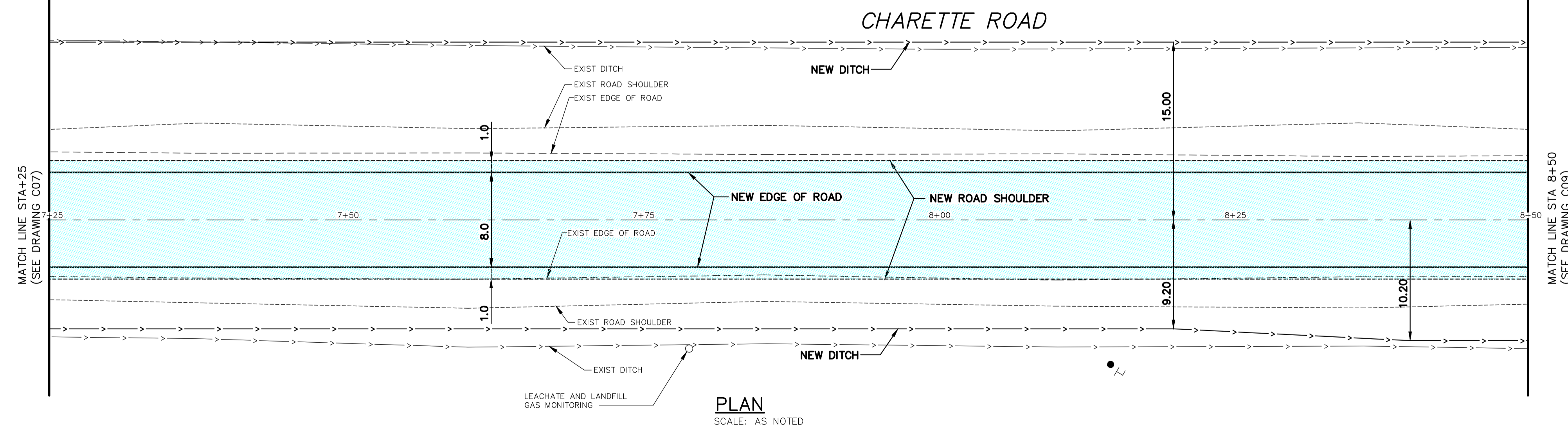
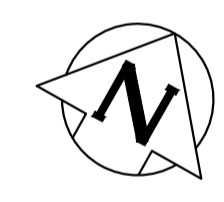


ROAD CROSS SECTION - STA. 6+75 TO STA.8+20  
SCALE: NTS



ROAD CROSS SECTION - STA. 8+40 TO STA.8+50  
SCALE: NTS

NOTE:  
SOUTH DITCH TRANSITIONS BETWEEN  
STA. 8+20 AND STA. 8+40

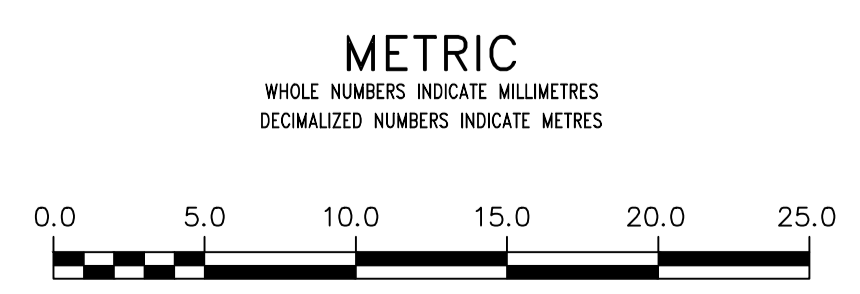


PLAN  
SCALE: AS NOTED

CENTRE LINE CO-ORDINATE LOCATIONS		
STATION	NORTHING	EASTING
7+25	5513091.803	629251.700
8+50	5513154.100	629324.070

**PRELIMINARY**  
NOT TO BE USED FOR CONSTRUCTION

**PROPERTY LIMITS DELINEATION**  
DELINEATION OF PROPERTY LIMITS AS SHOWN ON THIS DWG DOES NOT REPRESENT A "LEGAL SURVEY". KGS GROUP MAKES NO REPRESENTATION OR WARRANTY AS TO THE ACCURACY OF PROPERTY LIMITS DELINEATED ON THIS DWG, NOR ON THE DIMENSIONAL ACCURACY OF DWG FEATURES RELATIVE TO THOSE PROPERTY LIMITS.



**WARNING**  
IF POWER EQUIPMENT OR EXPLOSIVES ARE TO BE USED FOR EXCAVATION ON THIS PROJECT THE CONTRACTOR MUST:  
1) NOTIFY THE GAS COMPANY OF THE PROPOSED LOCATION OF EXCAVATION.  
2) TAKE PRECAUTION TO AVOID DAMAGE TO GAS COMPANY INSTALLATIONS.  
SEE PROVINCIAL REGULATION 21072 FOR DETAILS

**LOCATION APPROVED UNDERGROUND STRUCTURES**  
SUPV. U/G STRUCTURES COMMITTEE DATE  
NOTE:  
LOCATION OF UNDERGROUND STRUCTURES AS SHOWN ARE BASED ON THE BEST INFORMATION AVAILABLE BUT NO GUARANTEE IS GIVEN THAT ALL EXISTING UTILITIES ARE SHOWN OR THAT THE GIVEN LOCATIONS ARE EXACT. CONFIRMATION OF EXISTENCE AND EXACT LOCATION OF ALL SERVICES MUST BE OBTAINED FROM THE INDIVIDUAL UTILITIES BEFORE PROCEEDING WITH CONSTRUCTION.

B.M. ELEV.			
NO.	REVISIONS	DATE	BY
0	ISSUED FOR TENDER	18/mm/dd	
C	ISSUED FOR REVIEW	18/01/10	EW
B	ISSUED FOR REVIEW	17/11/22	EW
A	ISSUED FOR REVIEW	17/08/24	EW

<b>KGS GROUP CONSULTING ENGINEERS</b>	
DESIGNED BY E.W.	CHECKED BY
DRAWN BY D.M.W.	APPROVED BY
SCALE: HORIZONTAL 1:250 VERTICAL 1:10	RELEASED FOR CONSTRUCTION
DATE 2018 02 21	DATE

ENGINEER'S SEAL  
CONSULTANT DRAWING NUMBER  
17-0107-010\_C09

**THE CITY OF WINNIPEG**  
WATER AND WASTE DEPARTMENT  
ENGINEERING DIVISION

CHARETTE ROAD RENEWAL

**CHARETTE ROAD**  
STA 7+25 TO STA 8+50

SHEET 09 OF 13  
CITY DRAWING NUMBER  
1-0400A-C0038-001