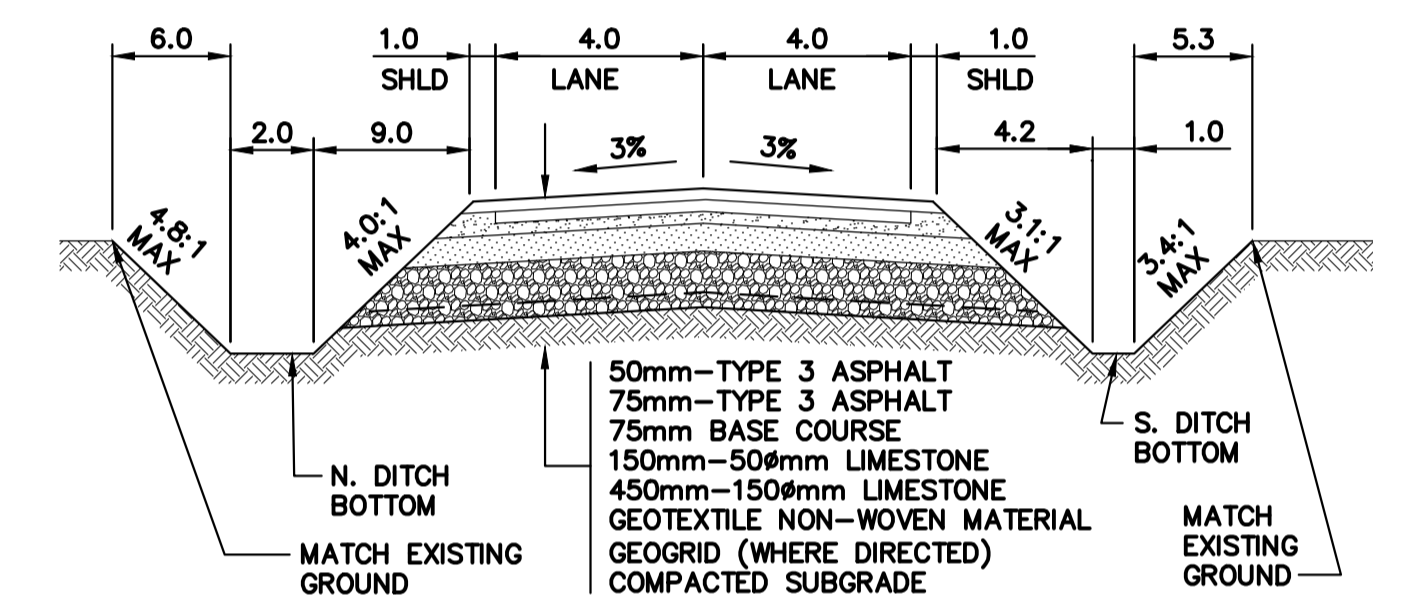
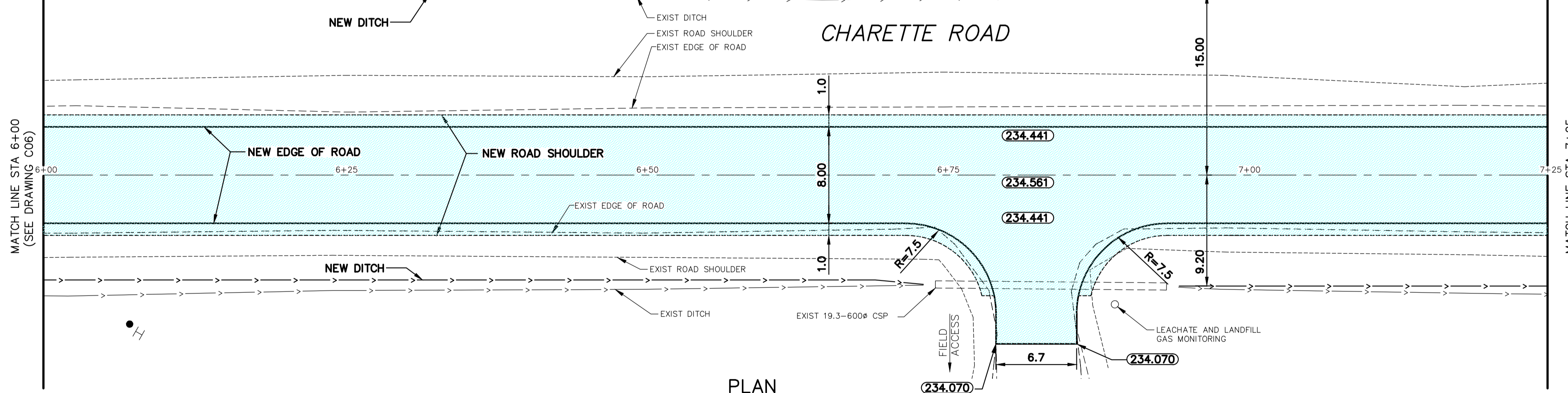


ROAD CROSS SECTION - STA. 2+23 TO STA. 6+75
SCALE: NTS



ROAD CROSS SECTION - STA. 6+75 TO STA. 8+20
SCALE: NTS

PROFILE
SCALE: AS NOTED

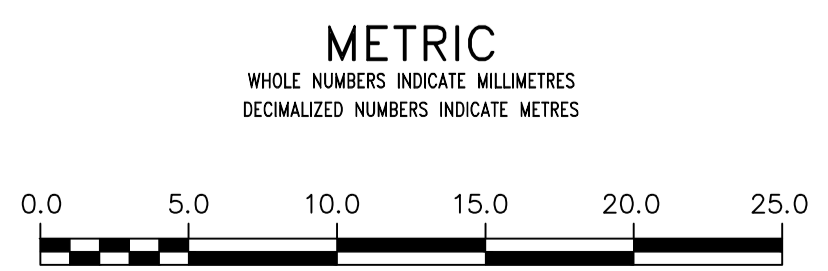


PLAN
SCALE: AS NOTED

CENTRE LINE CO-ORDINATE LOCATIONS		
STATION	NORTHING	EASTING
6+00	5513029.505	629107.330
7+25	5513091.803	629251.700

PROPERTY LIMITS DELINEATION

DELINEATION OF PROPERTY LIMITS AS SHOWN ON THIS DWG DOES NOT REPRESENT A "LEGAL SURVEY". KGS GROUP MAKES NO REPRESENTATION OR WARRANTY AS TO THE ACCURACY OF PROPERTY LIMITS DELINEATED ON THIS DWG, NOR ON THE DIMENSIONAL ACCURACY OF DWG FEATURES RELATIVE TO THOSE PROPERTY LIMITS.



WARNING
IF POWER EQUIPMENT OR EXPLOSIVES ARE TO BE USED FOR EXCAVATION ON THIS PROJECT THE CONTRACTOR MUST:
1) NOTIFY THE GAS COMPANY OF THE PROPOSED LOCATION OF EXCAVATION.
2) TAKE PRECAUTION TO AVOID DAMAGE TO GAS COMPANY INSTALLATIONS.
SEE PROVINCIAL REGULATION 210/72 FOR DETAILS

LOCATION APPROVED UNDERGROUND STRUCTURES
SUPV. U/G STRUCTURES COMMITTEE DATE
NOTE: LOCATION OF UNDERGROUND STRUCTURES AS SHOWN ARE BASED ON THE BEST INFORMATION AVAILABLE BUT NO GUARANTEE IS GIVEN THAT ALL EXISTING UTILITIES ARE SHOWN OR THAT THE GIVEN LOCATIONS ARE EXACT. CONFIRMATION OF EXISTENCE AND EXACT LOCATION OF ALL SERVICES MUST BE OBTAINED FROM THE INDIVIDUAL UTILITIES BEFORE PROCEEDING WITH CONSTRUCTION.

B.M. ELEV.	NO.	ISSUED FOR TENDER	DATE	BY
	0	ISSUED FOR TENDER	18/02/23	EW
	NO.	REVISIONS	DATE	BY

KGS GROUP CONSULTING ENGINEERS

DESIGNED BY: E.W. CHECKED BY: XX
 DRAWN BY: D.M.W. APPROVED BY: XX
 SCALE: HORIZONTAL 1:250, VERTICAL 1:10
 RELEASED FOR CONSTRUCTION
 DATE: 2018 02 26
 PLOT DATE: 2018 02 26

ENGINEER'S SEAL
 CONSULTANT DRAWING NUMBER: 17-0107-010_C08

THE CITY OF WINNIPEG WATER AND WASTE DEPARTMENT ENGINEERING DIVISION
CHARETTE ROAD RENEWAL
 CHARETTE ROAD STA 6+00 TO STA 7+25
 SHEET 08 OF 13
 CITY DRAWING NUMBER: 17-0400A-C0037-001

BID OPPORTUNITY: 1079-2017 FILE PATH: U:\MVS\17-0107-010\ CONTRACT NUMBER: X FILE NAME: 17-0107-010_CALL.dwg