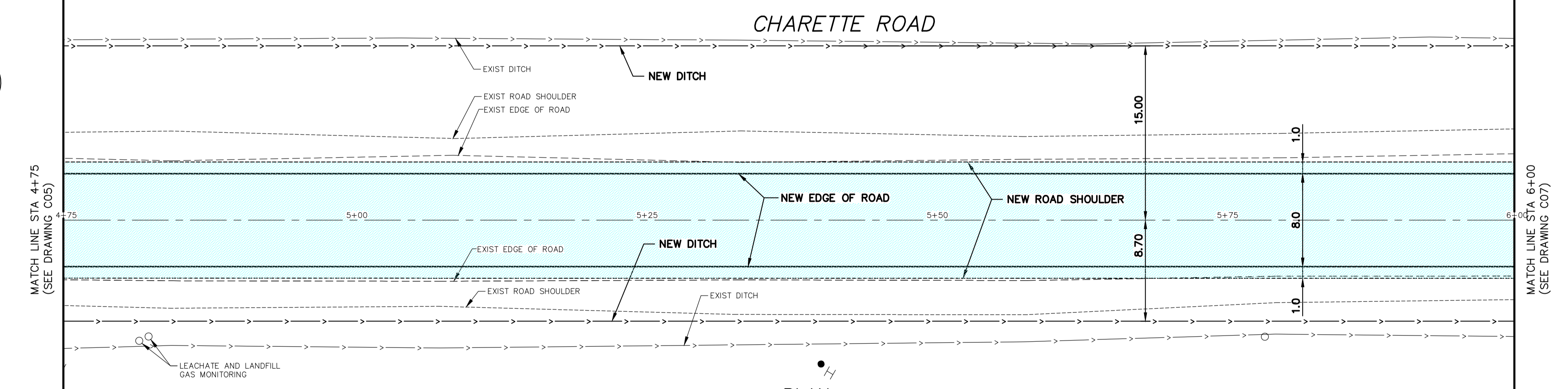
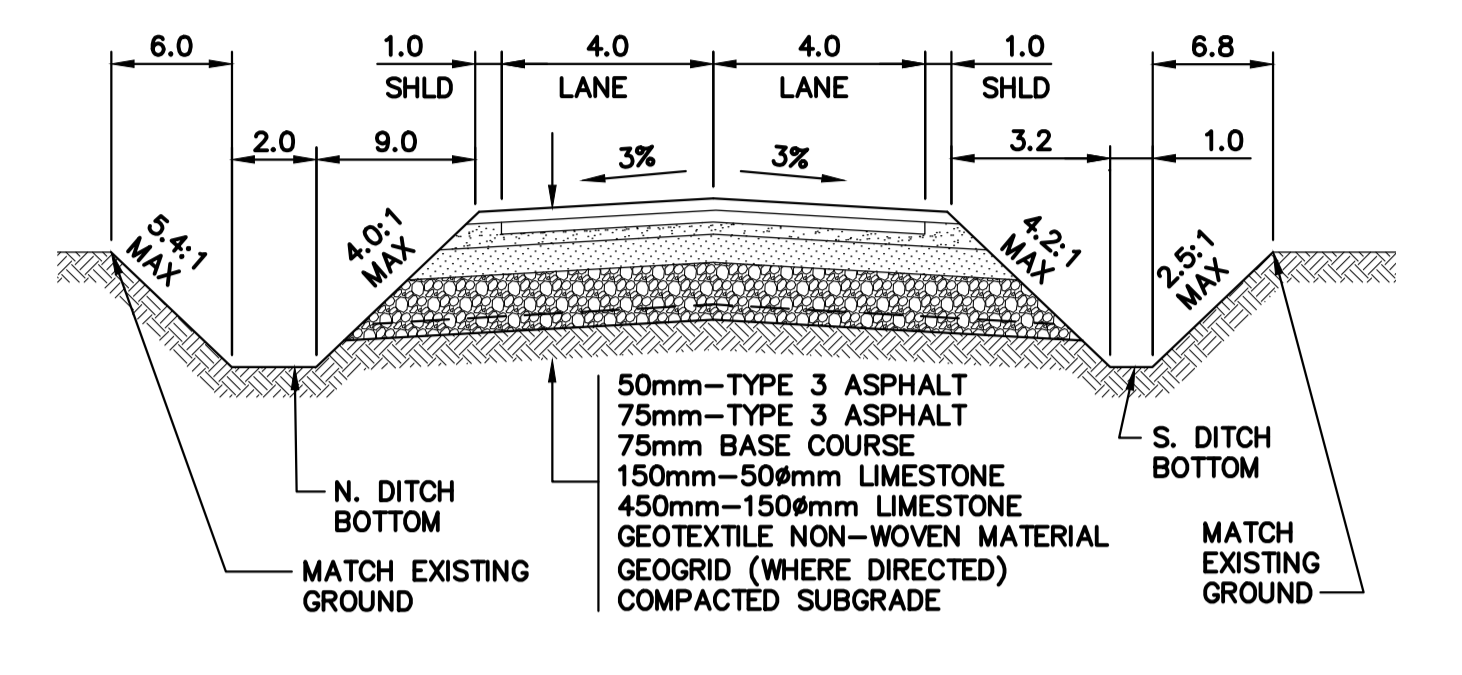
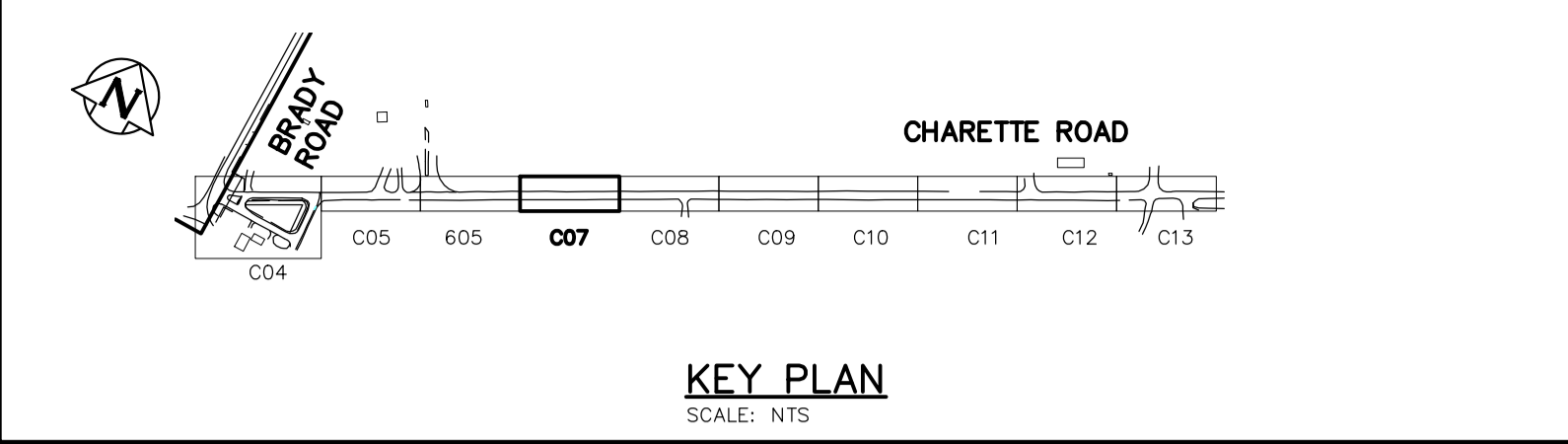
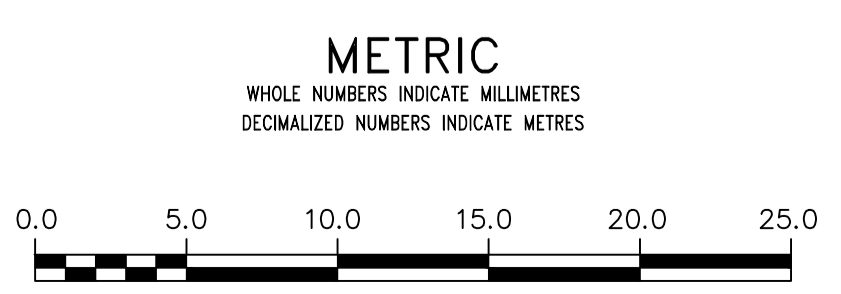


**PROFILE**  
SCALE: AS NOTED



**PLAN**  
SCALE: AS NOTED



CENTRE LINE CO-ORDINATE LOCATIONS		
STATION	NORTHING	EASTING
4+75	5512967.207	628998.961
6+00	5513029.505	629107.330

**PROPERTY LIMITS DELINEATION**

DELINEATION OF PROPERTY LIMITS AS SHOWN ON THIS DWG DOES NOT REPRESENT A "LEGAL SURVEY". KGS GROUP MAKES NO REPRESENTATION OR WARRANTY AS TO THE ACCURACY OF PROPERTY LIMITS DELINEATED ON THIS DWG, NOR ON THE DIMENSIONAL ACCURACY OF DWG FEATURES RELATIVE TO THOSE PROPERTY LIMITS.

**WARNING**

IF POWER EQUIPMENT OR EXPLOSIVES ARE TO BE USED FOR EXCAVATION ON THIS PROJECT THE CONTRACTOR MUST:

- 1) NOTIFY THE GAS COMPANY OF THE PROPOSED LOCATION OF EXCAVATION.
- 2) TAKE PRECAUTION TO AVOID DAMAGE TO GAS COMPANY INSTALLATIONS.

SEE PROVINCIAL REGULATION 210/72 FOR DETAILS

**LOCATION APPROVED UNDERGROUND STRUCTURES**

SUPV. U/G STRUCTURES COMMITTEE DATE

NOTE:  
LOCATION OF UNDERGROUND STRUCTURES AS SHOWN ARE BASED ON THE BEST INFORMATION AVAILABLE BUT NO GUARANTEE IS GIVEN THAT ALL EXISTING UTILITIES ARE SHOWN OR THAT THE GIVEN LOCATIONS ARE EXACT. CONFIRMATION OF EXISTENCE AND EXACT LOCATION OF ALL SERVICES MUST BE OBTAINED FROM THE INDIVIDUAL UTILITIES BEFORE PROCEEDING WITH CONSTRUCTION.

B.M.	ELEV.	NO.	REVISIONS	DATE	BY
0			ISSUED FOR TENDER	18/02/23	EW

**KGS GROUP CONSULTING ENGINEERS**

DESIGNED BY: E.W.  
CHECKED BY: .  
DRAWN BY: D.M.W.  
APPROVED BY: .  
SCALE: HORIZONTAL 1:250, VERTICAL 1:10  
DATE: 2018 02 26  
RELEASED FOR CONSTRUCTION

ENGINEER'S SEAL

CONSULTANT DRAWING NUMBER: 17-0107-010\_C07

**THE CITY OF WINNIPEG WATER AND WASTE DEPARTMENT ENGINEERING DIVISION**

**CHARETTE ROAD RENEWAL**

**CHARETTE ROAD STA 4+75 TO STA 6+00**

SHEET 07 OF 12  
CITY DRAWING NUMBER: 1-0400A-C0036-001